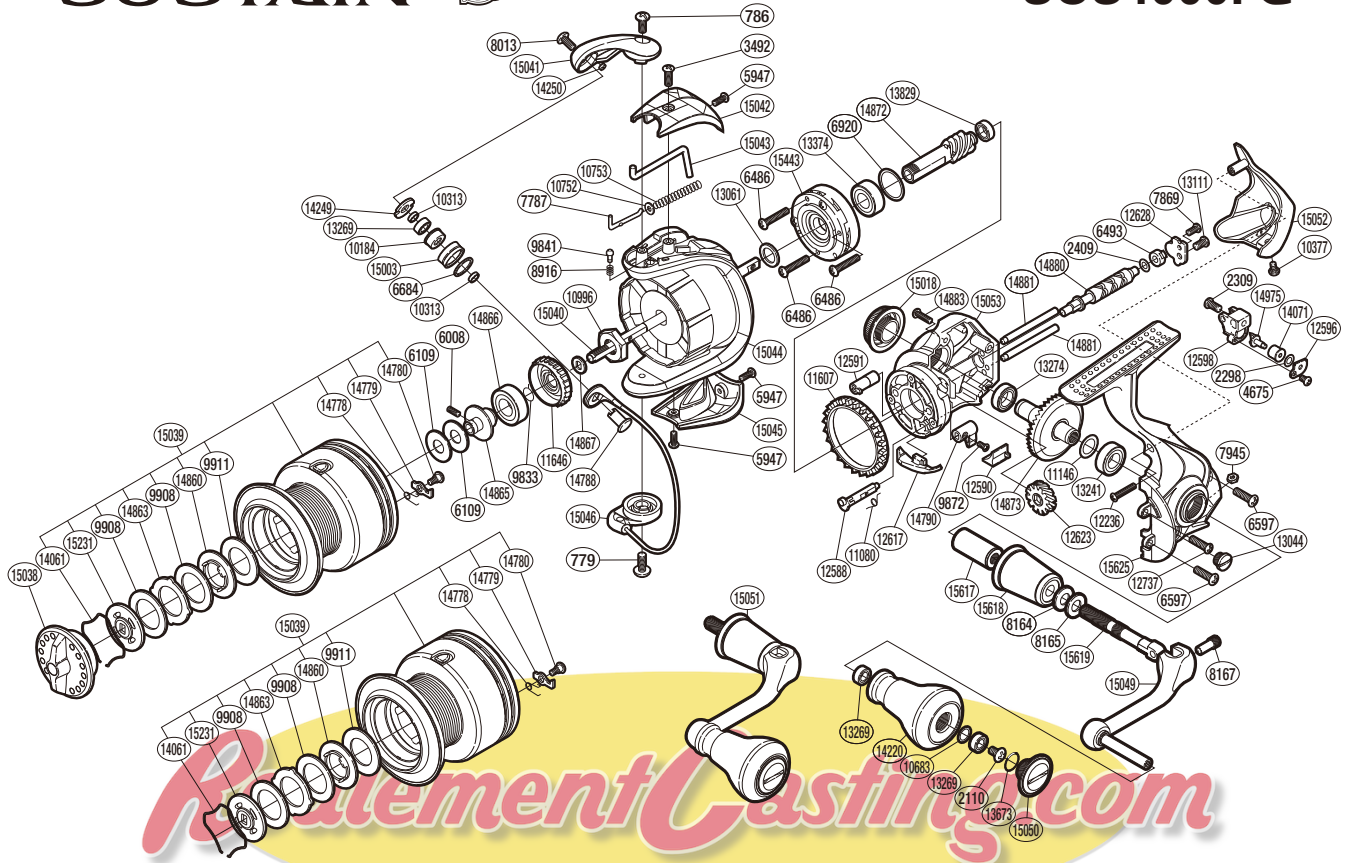


SHIMANO

SUSTAIN S A-RB

SUS4000FG



Please note that the number of adjusting washers may not be the same as shown in the exploded views.

(51SE574007G) (Adjustment will vary with each individual product.)

| Part No. | Description | Part No. | Description | Part No. | Description |
|----------|----------------------------------|----------|--------------------------------|----------|-------------------------|
| RD 0779 | Screw | RD11146 | Washer **/***** | RD14872 | Pinion Gear ** |
| RD 0786 | Screw **** | RD11607 | Friction Ring | RD14873 | Drive Gear ** |
| RD 2110 | Screw | RD11646 | Drag Click Ratchet | RD14880 | Worm Shaft *** |
| RD 2298 | Spacer *** | RD12236 | Screw | RD14881 | Oscillating Guide |
| RD 2309 | Screw | RD12588 | Anti-Reverse Cam | RD14883 | Screw |
| RD 2409 | Spacer *** | RD12590 | Anti-Reverse Lever Cover | RD14975 | Oscillating Pawl *** |
| RD 3492 | Screw | RD12591 | Worm Bushing (front) *** | RD15003 | Line Roller * |
| RD 4675 | Screw | RD12596 | Oscillating Pawl Cover | RD15018 | Handle Screw Cap |
| RD 5947 | Screw | RD12598 | Oscillating Slider | RD15038 | Drag Knob |
| RD 6008 | Set Screw | RD12617 | Bail Trip Strike | RD15039 | Spool Assembly |
| RD 6109 | Spool Washer | RD12623 | Idle Gear ** | RD15040 | Main Shaft |
| RD 6486 | Screw | RD12628 | Worm Shaft Retainer | RD15041 | Bail Arm |
| RD 6493 | Worm Bushing (rear) *** | RD12737 | Screw | RD15042 | Bail Spring Cover |
| RD 6597 | Screw | RD13044 | Oil Cap | RD15043 | Bail Trip Lever |
| RD 6684 | Line Roller Spacer * | RD13061 | Washer | RD15044 | Rotor |
| RD 6920 | Spacer | RD13111 | Screw | RD15045 | Bail Hold Support Guard |
| RD 7787 | Bail Spring Guide A **** | RD13241 | Ball Bearing ***** | RD15046 | Bail Assembly |
| RD 7869 | Screw | RD13269 | Ball Bearing * | RD15049 | Handle Shank Assembly |
| RD 7945 | Nut | RD13274 | Ball Bearing ***** | RD15050 | Handle Knob Seal |
| RD 8013 | Screw * | RD13374 | Ball Bearing ***** | RD15051 | Handle Assembly |
| RD 8164 | Coned Disc Spring | RD13673 | O Ring | RD15052 | Rear Protector |
| RD 8165 | Large Handle Shank Washer | RD13829 | Ball Bearing ***** | RD15053 | Body |
| RD 8167 | Handle Shaft Screw | RD14061 | Drag Washers Retainer | RD15231 | Key Washer |
| RD 8916 | Click Spring **** | RD14071 | Oscillating Slider Bushing *** | RD15443 | Roller Clutch Assembly |
| RD 9833 | Ratchet Spring | RD14220 | Handle Knob | RD15617 | Handle Shaft Cover B |
| RD 9841 | Click Pin **** | RD14249 | Line Roller Plate * | RD15618 | Handle Shaft Cover A |
| RD 9872 | Screw | RD14250 | Line Roller Oil Cap | RD15619 | Handle Shaft |
| RD 9908 | Drag Washer | RD14778 | Drag Click ***** | RD15625 | Side Cover |
| RD 9911 | Drag Washer | RD14779 | Drag Click Spring ***** | | |
| RD10184 | Line Roller Bushing * | RD14780 | Screw ***** | | |
| RD10313 | Bearing Spacer * | RD14788 | Line Roller Support * | | |
| RD10377 | Screw | RD14790 | Anti-Reverse Lever | PK 0144 | Line Roller Set * |
| RD10683 | Washer | RD14860 | Key Washer | PK 0145 | Gear Set ** |
| RD10752 | Bail Spring Guide A Support **** | RD14863 | Eared Washer | PK 0375 | Oscillation Set *** |
| RD10753 | Bail Spring **** | RD14865 | Bearing Bushing | PK 0025 | Bail Spring Set **** |
| RD10996 | Rotor Nut | RD14866 | Ball Bearing | PK 0081 | Bearing Set ***** |
| RD11080 | Anti-Reverse Cam Spring | RD14867 | Spool Support | PK 0077 | Drag Clicker Set ***** |