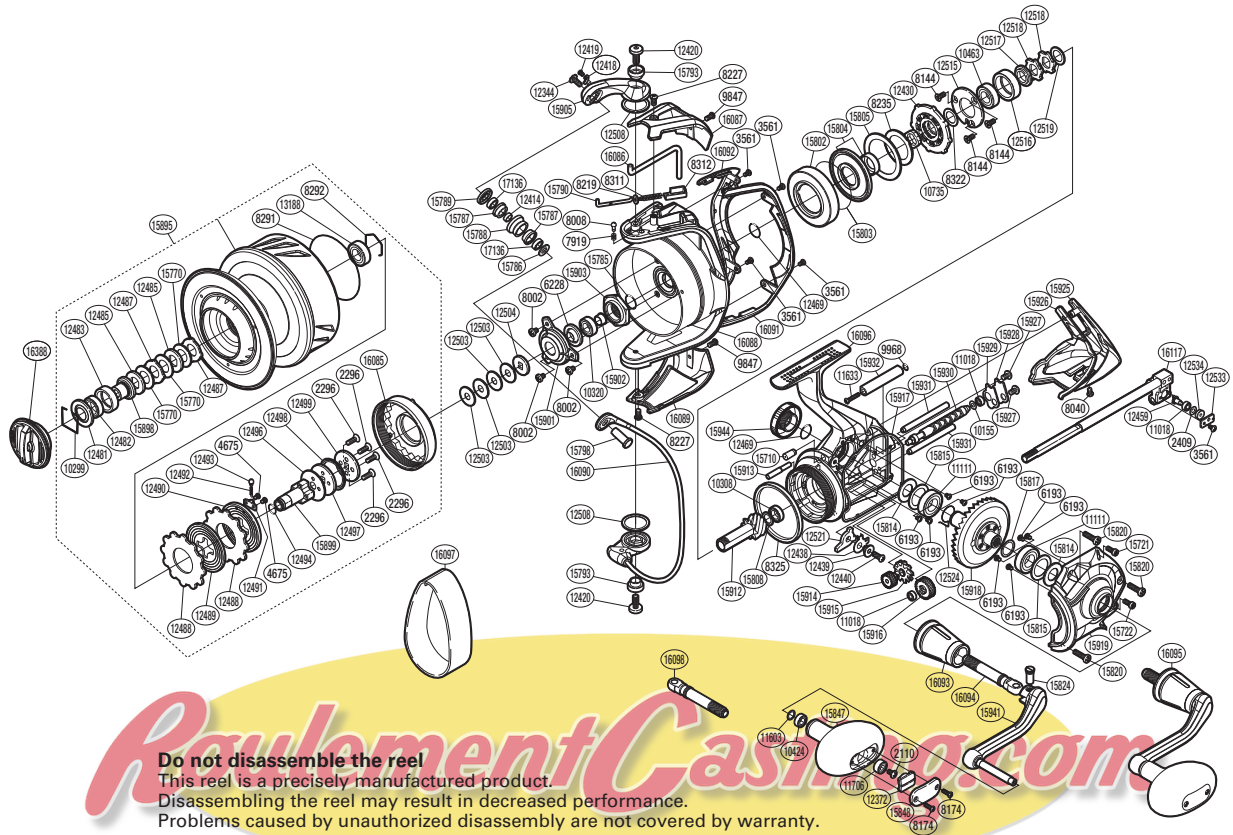


SHIMANO

STELLA 

STLSW-30000



(51SE25Z300X)

Do not disassemble the reel
 This reel is a precisely manufactured product.
 Disassembling the reel may result in decreased performance.
 Problems caused by unauthorized disassembly are not covered by warranty.
 Please note that the number of adjusting washers
 may not be the same as shown in the exploded views.
 (Adjustment will vary with each individual product.)

Part No.	Description	Part No.	Description	Part No.	Description
RD 2110	Screw	RD12485	Key Washer	RD15898	Bearing Support
RD 2296	Screw	RD12487	Eared Washer	RD15899	Bearing Bushing
RD 2409	Washer ***	RD12488	Drag Washer	RD15901	Nut Lock Plate
RD 3561	Screw *****	RD12489	Spool Drag Disk	RD15902	Main Shaft Spacer
RD 4675	Screw *****	RD12490	Spool Drag Disk	RD15903	Rotor Nut
RD 6193	Screw	RD12491	Click Spring Holder *****	RD15905	Bail Arm
RD 6228	Bearing Water Proof	RD12492	Click Spring *****	RD15912	Pinion Gear **
RD 7919	Click Spring ****	RD12493	Click Pin *****	RD15913	Idle Gear B Shaft
RD 8002	Screw	RD12494	O Ring	RD15914	Idle Gear B S **
RD 8008	Click Pin ****	RD12496	Spool Support C	RD15915	Idle Gear B L **
RD 8040	Screw	RD12497	Spool Support A	RD15916	Idle Gear **
RD 8144	Screw	RD12498	Bearing Water Proof	RD15917	Body Seal
RD 8174	Screw	RD12499	Spool Support B	RD15918	Drive Gear **
RD 8219	Spring Guide A Support ****	RD12503	Spool Washer	RD15919	Side Cover
RD 8227	Screw	RD12504	Spool Support D	RD15925	Rear Protector
RD 8235	Roller Clutch Reinforce	RD12508	Washer	RD15926	Rear Shield
RD 8291	O Ring	RD12515	Bearing Retainer	RD15927	Screw
RD 8292	Bearing Retainer	RD12516	Bearing Housing	RD15928	Worm Shaft Retainer
RD 8311	Bail Spring ****	RD12517	Pinion Gear Collar	RD15929	Worm Shaft Retainer Washer
RD 8312	Bail Spring Seat ****	RD12518	Anti-Reverse Ratchet	RD15930	Worm Shaft ***
RD 8322	Washer	RD12519	Washer	RD15931	Oscillating Guide
RD 8325	Friction Ring	RD12521	Assist Anti-Reverse Pawl	RD15932	Rear Protector Collar
RD 9847	Screw	RD12524	Anti-Reverse Pawl Spring	RD15941	Handle Shank Assembly
RD 9363	O Ring	RD12533	Oscillating Pawl Cover	RD15944	Handle Screw Cap
RD10155	Spacer ***	RD12534	Oscillating Slider Bushing ***	RD16085	Drag Cover
RD10299	Drag Washers Retainer	RD13188	Ball Bearing	RD16086	Bail Trip Lever
RD10308	Ball Bearing *****	RD15710	Body Flange Seal	RD16087	Bail Spring Cover
RD10320	Ball Bearing	RD15721	Screw	RD16088	Rotor
RD10424	Ball Bearing *	RD15722	Screw	RD16089	Bail Hold Support Guard
RD10463	Ball Bearing *****	RD15770	Drag Washer	RD16090	Bail Assembly
RD10735	Stopper	RD15785	O Ring	RD16091	Rotor Guard A
RD11018	Ball Bearing ***	RD15786	Line Roller Support Collar *	RD16092	Rotor Guard B
RD11111	Ball Bearing *****	RD15787	Line Roller Bushing *	RD16093	Handle Shaft Cover
RD11603	Washer	RD15788	Line Roller *	RD16094	Handle Shaft (left)
RD11633	Screw	RD15789	Line Roller Plate	RD16095	Handle Assembly
RD11706	Ball Bearing	RD15790	Bail Spring Guide A ****	RD16096	Body
RD12344	Screw *	RD15793	Screw Collar *****	RD16117	Main Shaft Assembly
RD12372	Handle Knob Seal	RD15798	Line Roller Support *	RD16388	Drag Knob
RD12414	Bearing Spacer *	RD15802	Roller Clutch Cover	RD17136	Ball Bearing *
RD12418	Screw Retainer *	RD15803	O Ring		
RD12419	Screw Support *	RD15804	Roller Clutch Water Proof Set	RD16097	Line Band LL (accessory)
RD12420	Screw *****	RD15805	Roller Clutch Seal	RD16098	Handle Shaft (right) (accessory)
RD12430	Roller Clutch Assembly	RD15808	Washer *****	RD16003	SSRO-01 Oil (accessory)
RD12438	Anti-Reverse Pawl Cover	RD15814	Bearing Water Proof *****		
RD12439	Anti-Reverse Pawl Collar	RD15815	Washer *****		
RD12440	Screw	RD15817	Washer **/*****		
RD12459	Oscillating Pawl ***	RD15820	Screw	PK 0323	Line Roller Set *
RD12469	O Ring	RD15824	Handle Shaft Screw	PK 0183	Gear Set **
RD12481	Seal Plate	RD15847	Handle Knob	PK 0181	Oscillation Set ***
RD12482	Ball Bearing	RD15848	Handle Knob I.D. Plate	PK 0182	Bail Spring Set *****
RD12483	Thrust Bushing	RD15895	Spool Assembly	PK 0176	Bearing Set *****
				PK 0177	Drag Clicker Set *****