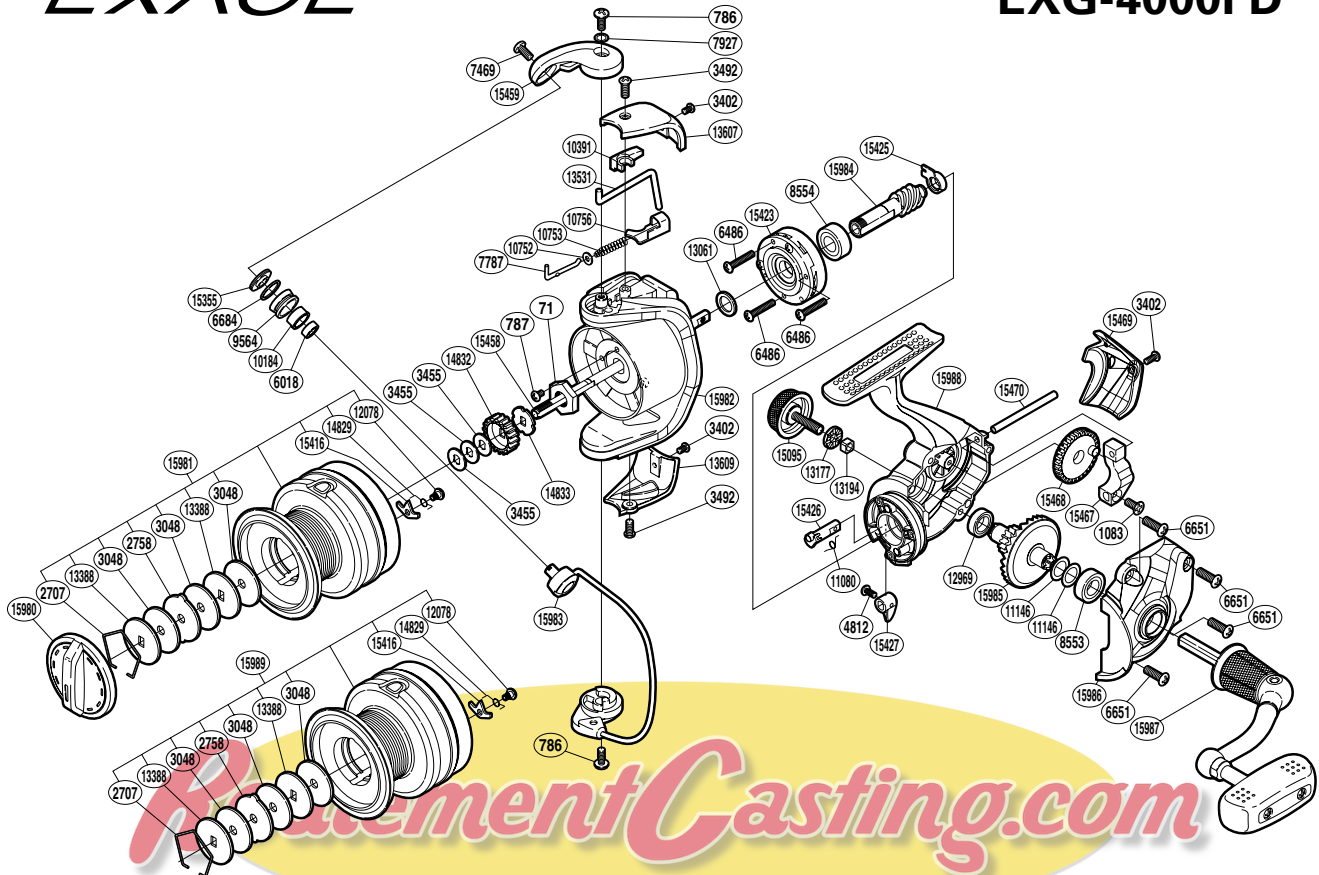


SHIMANO

EXAGE

EXG-4000FD



Please note that the number of adjusting washers may not be the same as shown in the exploded views. (Adjustment will vary with each individual product.)

(51SG794003G)

Part No.	Description	Part No.	Description	Part No.	Description
RD 0071	Rotor Nut	RD10391	Bail Trip Cover	RD15425	Pinion Gear Bushing
RD 0786	Screw	RD10752	Bail Spring Guide A Support	RD15426	Anti-Reverse Cam
RD 0787	Screw	RD10753	Bail Spring	RD15427	Anti-Reverse Lever
RD 1083	Screw	RD10756	Bail Spring Seat	RD15458	Main Shaft
RD 2707	Drag Washers Retainer	RD11080	Anti-Reverse Cam Spring	RD15459	Bail Arm
RD 2758	Eared Washer	RD11146	Washer	RD15467	Oscillating Slider
RD 3048	Drag Washer	RD12078	Screw	RD15468	Oscillating Gear
RD 3402	Screw	RD12969	Ball Bearing	RD15469	Rear Protector
RD 3455	Spool Washer	RD13061	Washer	RD15470	Oscillating Guide
RD 3492	Screw	RD13177	Handle Screw Cap Spacer	RD15980	Drag Knob
RD 4812	Screw	RD13194	Handle Screw Lock	RD15981	Spool Assembly
RD 6018	Ball Bearing	RD13388	Key Washer	RD15982	Rotor
RD 6486	Screw	RD13531	Bail Trip Lever	RD15983	Bail Assembly
RD 6651	Screw	RD13607	Bail Spring Cover	RD15984	Pinion Gear
RD 6684	Line Roller Spacer	RD13609	Bail Hold Support Guard	RD15985	Drive Gear
RD 7469	Screw	RD14829	Drag Click Spring	RD15986	Side Cover
RD 7787	Bail Spring Guide A	RD14832	Spool Support A	RD15987	Handle Assembly
RD 7927	Washer	RD14833	Spool Support B	RD15988	Body
RD 8553	Ball Bearing	RD15095	Handle Screw Cap		
RD 8554	Ball Bearing	RD15355	Line Roller Washer		
RD 9564	Line Roller	RD15416	Drag Click		
RD10184	Line Roller Bushing	RD15423	Roller Clutch Assembly	RD15989	Spare Spool Assembly