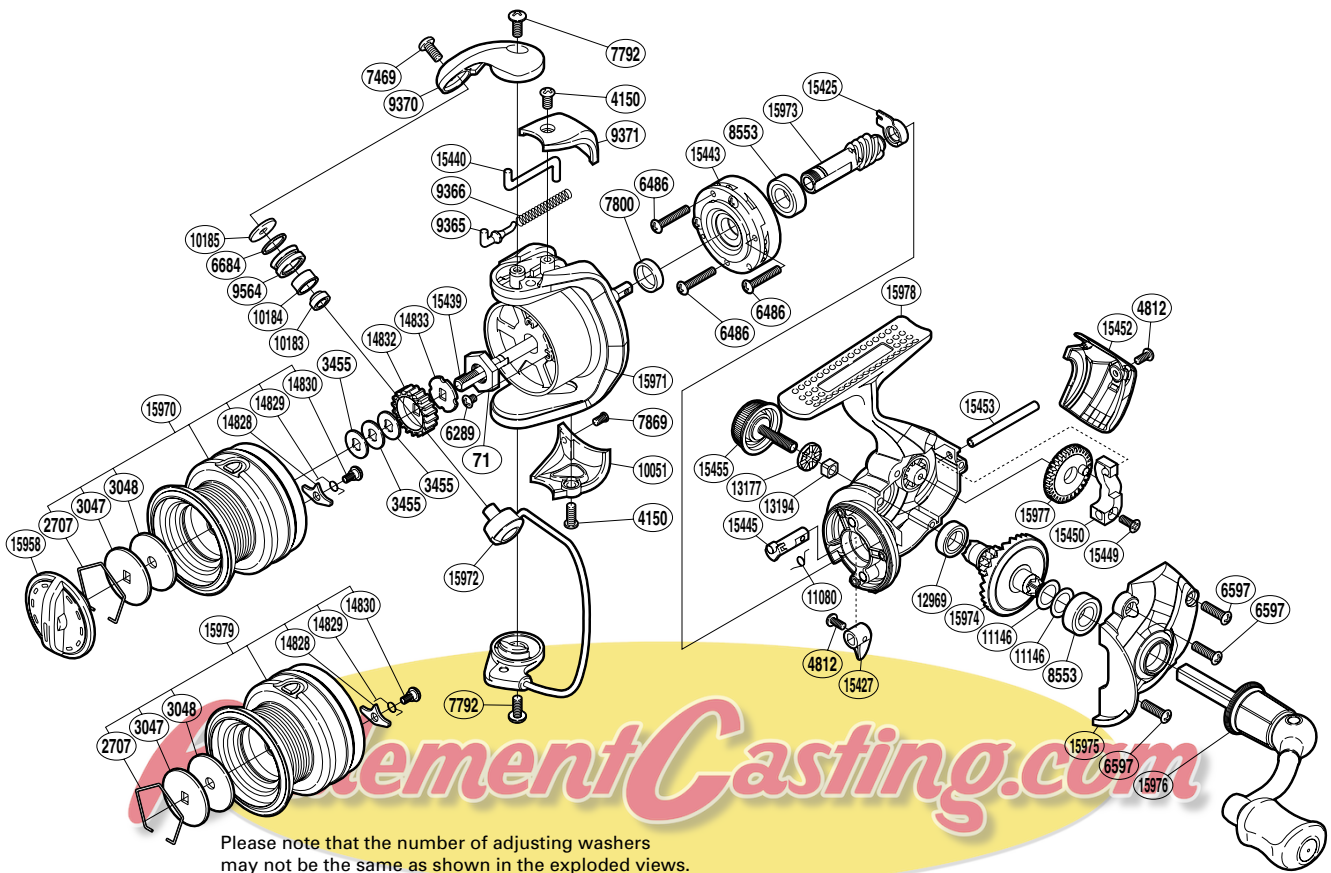


SHIMANO

EXAGE

EXG-1000FD



Please note that the number of adjusting washers may not be the same as shown in the exploded views. (Adjustment will vary with each individual product.)

(51SG791003G)

Part No.	Description	Part No.	Description	Part No.	Description
RD 0071	Rotor Nut	RD 9564	Line Roller	RD15445	Anti-Reverse Cam
RD 2707	Drag Washers Retainer	RD10051	Bail Hold Support Guard	RD15449	Screw
RD 3047	Key Washer	RD10183	Ball Bearing	RD15450	Oscillating Slider
RD 3048	Drag Washer	RD10184	Line Roller Bushing	RD15452	Rear Protector
RD 3455	Spool Washer	RD10185	Line Roller Washer	RD15453	Oscillating Guide
RD 4150	Screw	RD11080	Anti-Reverse Cam Spring	RD15455	Handle Screw Cap
RD 4812	Screw	RD11146	Washer	RD15958	Drag Knob
RD 6289	Screw	RD12969	Ball Bearing	RD15970	Spool Assembly
RD 6486	Screw	RD13177	Handle Screw Cap Spacer	RD15971	Rotor
RD 6597	Screw	RD13194	Handle Screw Lock	RD15972	Bail Assembly
RD 6684	Line Roller Spacer	RD14828	Drag Click	RD15973	Pinion Gear
RD 7469	Screw	RD14829	Drag Click Spring	RD15974	Drive Gear
RD 7792	Screw	RD14830	Screw	RD15975	Side Cover
RD 7800	Rotor Ring	RD14832	Spool Support A	RD15976	Handle Assembly
RD 7869	Screw	RD14833	Spool Support B	RD15977	Oscillating Gear
RD 8553	Ball Bearing	RD15425	Pinion Gear Bushing	RD15978	Body
RD 9365	Bail Spring Guide	RD15427	Anti-Reverse Lever		
RD 9366	Bail Spring	RD15439	Main Shaft		
RD 9370	Bail Arm	RD15440	Bail Trip Lever		
RD 9371	Bail Spring Cover	RD15443	Roller Clutch Assembly	RD15979	Spare Spool Assembly