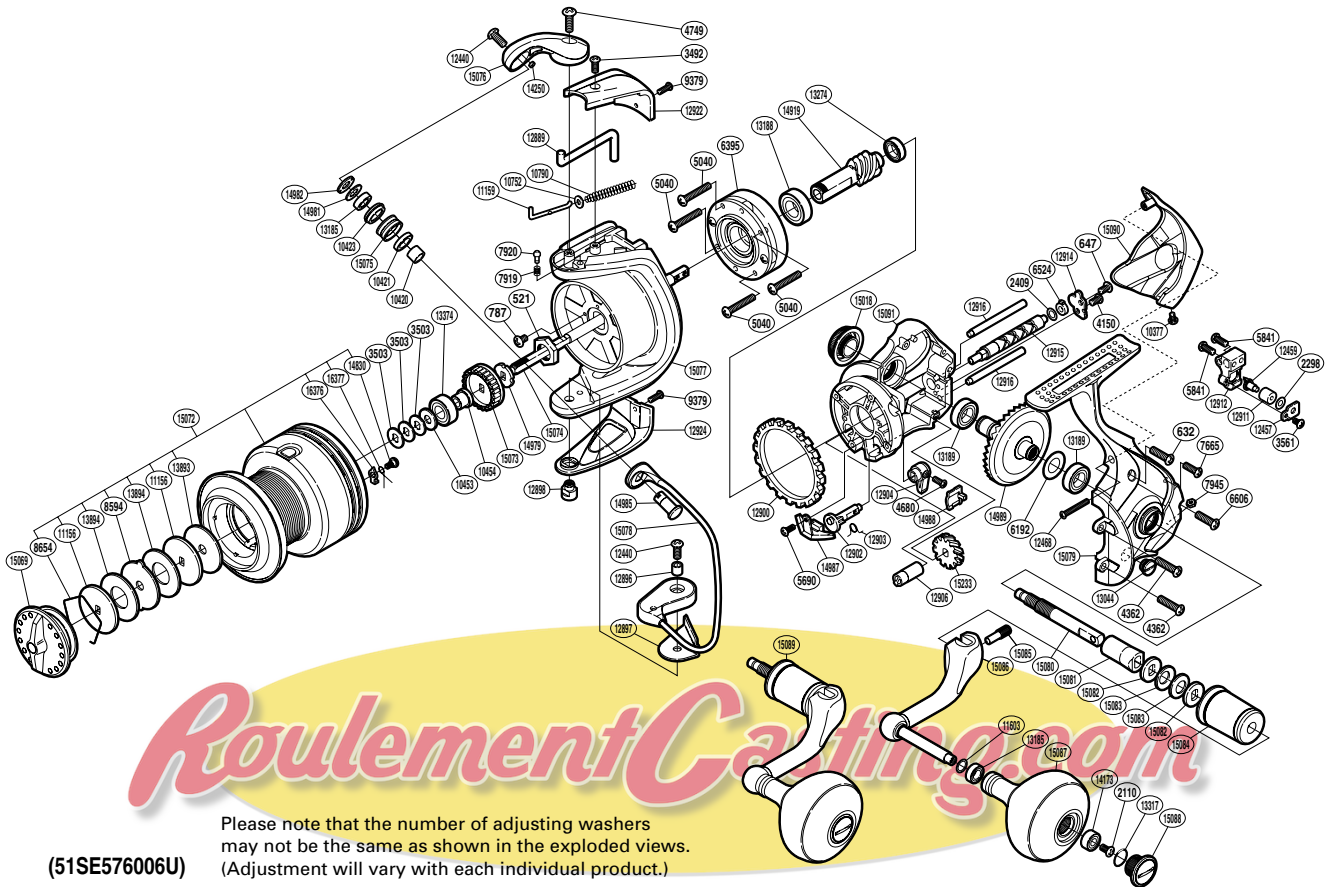


SHIMANO

SUSTAIN 

SA-6000FG



Please note that the number of adjusting washers may not be the same as shown in the exploded views. (Adjustment will vary with each individual product.)

(51SE576006U)

| Part No. | Description | Part No. | Description | Part No. | Description |
|----------|------------------------|----------|----------------------------|----------|---------------------------|
| RD 0521 | Rotor Nut | RD10790 | Bail Spring | RD14830 | Screw |
| RD 0632 | Screw | RD11156 | Key Washer | RD14919 | Pinion Gear |
| RD 0647 | Screw | RD11159 | Bail Spring Guide A | RD14979 | Spool Support B |
| RD 0787 | Screw | RD11603 | Washer | RD14981 | Line Roller Washer |
| RD 2110 | Screw | RD12440 | Screw | RD14982 | Line Roller Plate |
| RD 2298 | Spacer | RD12457 | Oscillating Pawl Cover | RD14985 | Line Roller Support |
| RD 2409 | Spacer | RD12459 | Oscillating Pawl | RD14987 | Bail Trip Strike |
| RD 3492 | Screw | RD12468 | Screw | RD14988 | Anti-Reverse Lever Cover |
| RD 3503 | Spool Washer | RD12889 | Bail Trip Lever | RD14989 | Drive Gear |
| RD 3561 | Screw | RD12896 | Screw Collar | RD15018 | Handle Screw Cap |
| RD 4150 | Screw | RD12897 | Bail Hold Support Spacer | RD15069 | Drag Knob |
| RD 4362 | Screw | RD12898 | Bail Hold Support Shaft | RD15072 | Spool Assembly |
| RD 4680 | Screw | RD12900 | Friction Ring | RD15073 | Spool Support A |
| RD 4749 | Screw | RD12902 | Anti-Reverse Cam | RD15074 | Main Shaft |
| RD 5040 | Screw | RD12903 | Anti-Reverse Cam Spring | RD15075 | Line Roller |
| RD 5690 | Screw | RD12904 | Anti-Reverse Lever | RD15076 | Bail Arm |
| RD 5841 | Screw | RD12906 | Worm Bushing (front) | RD15077 | Rotor |
| RD 6192 | Washer | RD12911 | Oscillating Slider Bushing | RD15078 | Bail Assembly |
| RD 6395 | Roller Clutch Assembly | RD12912 | Oscillating Slider | RD15079 | Side Cover |
| RD 6524 | Worm Bushing (rear) | RD12914 | Worm Shaft Retainer | RD15080 | Handle Shaft |
| RD 6606 | Screw | RD12915 | Worm Shaft | RD15081 | Handle Shaft Cover A |
| RD 7665 | Screw | RD12916 | Oscillating Guide | RD15082 | Small Handle Shank Washer |
| RD 7919 | Click Spring | RD12922 | Bail Spring Cover | RD15083 | Coned Disc Spring |
| RD 7920 | Click Pin | RD12924 | Bail Hold Support Guard | RD15084 | Handle Shaft Cover B |
| RD 7945 | Nut | RD13044 | Oil Cap | RD15085 | Handle Shaft Screw |
| RD 8594 | Eared Washer | RD13185 | Ball Bearing | RD15086 | Handle Shank Assembly |
| RD 8654 | Drag Washers Retainer | RD13188 | Ball Bearing | RD15087 | Handle Knob |
| RD 9379 | Screw | RD13189 | Ball Bearing | RD15088 | Handle Knob Seal |
| RD10377 | Screw | RD13274 | Ball Bearing | RD15089 | Handle Assembly |
| RD10420 | Bearing Spacer | RD13317 | O Ring | RD15090 | Rear Protector |
| RD10421 | Line Roller Collar | RD13374 | Ball Bearing | RD15091 | Body |
| RD10423 | Line Roller Bushing | RD13893 | Drag Washer | RD15233 | Idle Gear |
| RD10453 | Spool Support B | RD13894 | Drag Washer | RD16376 | Drag Click |
| RD10454 | Bearing Bushing | RD14173 | Ball Bearing | RD16377 | Drag Click Spring |
| RD10752 | Spring Guide A Support | RD14250 | Line Roller Oil Cap | | |