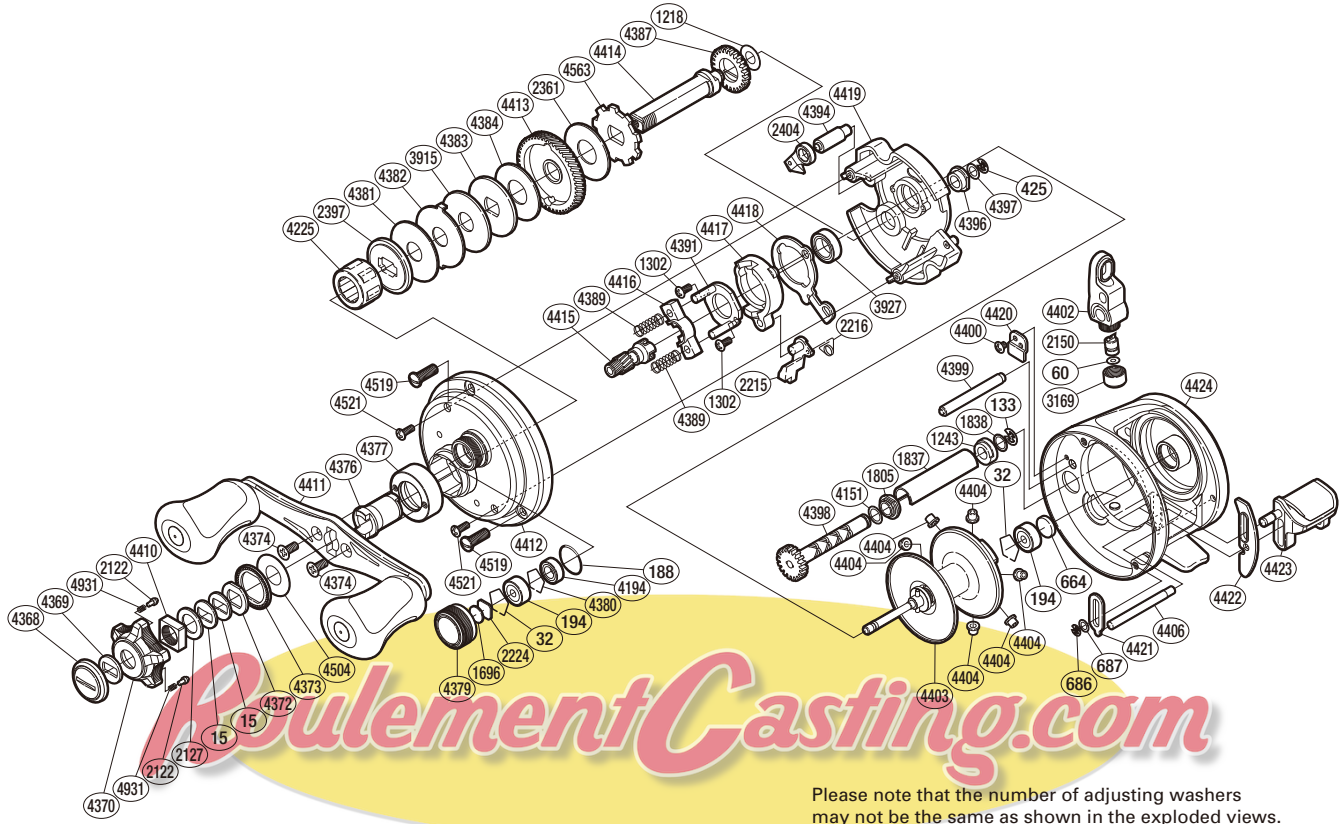


SHIMANO

CALCUTTA SA-RB

CT-201D



Please note that the number of adjusting washers may not be the same as shown in the exploded views. (Adjustment will vary with each individual product.)

(1RH318201U)

| Part No. | Description | Part No. | Description | Part No. | Description |
|----------|----------------------|----------|--------------------------|----------|--------------------------|
| BNT0015 | Drag Spring Washer | BNT3915 | Drag Washer | BNT4400 | Screw |
| BNT0032 | Bearing Retainer | BNT3927 | Ball Bearing | BNT4402 | Line Guide |
| BNT0060 | Spacer | BNT4151 | Washer | BNT4403 | Spool Assembly |
| BNT0133 | E Lock | BNT4194 | Ball Bearing | BNT4404 | Brake Collar |
| BNT0188 | O Ring | BNT4225 | Roller Clutch Bearing | BNT4406 | Clutch Bar Support |
| BNT0194 | Ball Bearing | BNT4368 | Handle Bolt | BNT4410 | Star Drag Nut |
| BNT0425 | E Lock | BNT4369 | Handle Lock Spring | BNT4411 | Handle Assembly |
| BNT0664 | Spacer B | BNT4370 | Star Drag | BNT4412 | Left Side Plate |
| BNT0686 | E Lock | BNT4372 | Drive Shaft Shield | BNT4413 | Drive Gear |
| BNT0687 | Spacer | BNT4373 | Star Drag Click Plate | BNT4414 | Drive Shaft |
| BNT1218 | Spacer | BNT4374 | Screw | BNT4415 | Pinion Gear |
| BNT1243 | Worm Bushing B | BNT4376 | Roller Clutch Inner Tube | BNT4416 | Yoke |
| BNT1302 | Screw | BNT4377 | Handle Plate | BNT4417 | Clutch Cam |
| BNT1696 | Cast Control Spacer | BNT4379 | Cast Control Cap | BNT4418 | Clutch Plate |
| BNT1805 | Worm Bushing A | BNT4380 | Retainer | BNT4419 | Set Plate |
| BNT1837 | Level Wind Guard | BNT4381 | Drag Washer | BNT4420 | Worm Bushing Retainer |
| BNT1838 | Spacer | BNT4382 | Eared Washer | BNT4421 | Clutch Bar Guide A |
| BNT2122 | Click Pin | BNT4383 | Key Washer | BNT4422 | Clutch Bar Guide B |
| BNT2127 | Star Drag Spacer | BNT4384 | Drag Washer | BNT4423 | Quick-Fire II Clutch Bar |
| BNT2150 | Line Guide Pawl | BNT4387 | Idle Gear | BNT4424 | One-Piece Frame |
| BNT2215 | Clutch Pawl | BNT4389 | Yoke Spring | BNT4504 | Washer |
| BNT2216 | Clutch Pawl Spring | BNT4391 | Clutch Cam Retainer | BNT4519 | Screw |
| BNT2224 | Spool Tension Spacer | BNT4394 | Anti-Reverse Pawl Pin | BNT4521 | Screw |
| BNT2361 | Drag Washer | BNT4396 | Drive Shaft Bushing | BNT4563 | Anti-Reverse Ratchet |
| BNT2397 | Key Washer | BNT4397 | Washer | BNT4931 | Click Spring |
| BNT2404 | Anti-Reverse Pawl | BNT4398 | Worm Shaft | | |
| BNT3169 | Pawl Cap | BNT4399 | Level Wind Guide | | |