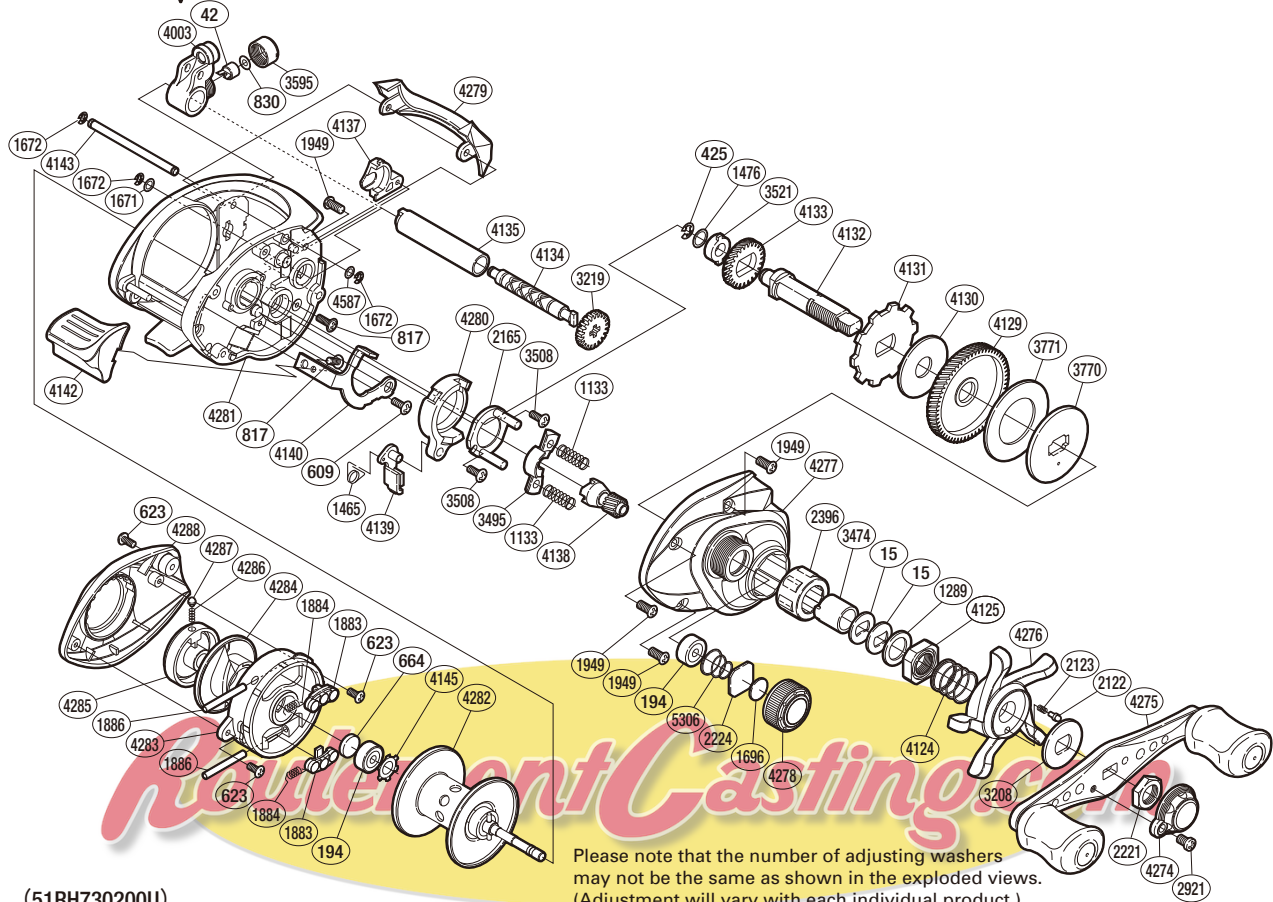


# SHIMANO

## CAIUS

## CAIUS-200



(51RH730200U)

Part No.	Description	Part No.	Description	Part No.	Description
BNT0015	Drag Spring Washer	BNT2224	Spool Tension Spacer	BNT4139	Clutch Pawl
BNT0042	Line Guide Pawl	BNT2396	Roller Clutch Bearing	BNT4140	Clutch Plate
BNT0194	Ball Bearing	BNT2921	Screw	BNT4142	Quick-Fire II Clutch Bar
BNT0425	E Lock	BNT3208	Star Drag Click Plate	BNT4143	Stabilizer Bar
BNT0609	Screw	BNT3219	Idle Gear	BNT4145	CR Lock
BNT0623	Screw	BNT3474	Roller Clutch Inner Tube	BNT4274	Handle Retainer
BNT0664	Spacer B	BNT3495	Yoke	BNT4275	Handle Assembly
BNT0817	Screw	BNT3508	Screw	BNT4276	Star Drag
BNT0830	Spacer	BNT3521	Drive Shaft Bushing	BNT4277	Right Side Plate
BNT1133	Yoke Spring	BNT3595	Pawl Cap	BNT4278	Cast Control Cap
BNT1289	Star Drag Spacer	BNT3770	Key Washer	BNT4279	Level Wind Protector
BNT1465	Clutch Pawl Spring	BNT3771	Drag Washer	BNT4280	Clutch Cam
BNT1476	Washer	BNT4003	Line Guide	BNT4281	One-Piece Frame
BNT1671	Washer	BNT4124	Star Drag Spring	BNT4282	Spool Assembly
BNT1672	E Lock	BNT4125	Star Drag Nut	BNT4283	Dial Case
BNT1696	Cast Control Spacer	BNT4129	Drive Gear	BNT4284	Brake Cam
BNT1883	Magnet Retainer	BNT4130	Drag Washer	BNT4285	Magnetic Control Dial
BNT1884	Magnet Retainer Spring	BNT4131	Anti-Reverse Ratchet	BNT4286	Click Spring
BNT1886	Magnet Retainer Shaft	BNT4132	Drive Shaft	BNT4287	Click Pin
BNT1949	Screw	BNT4133	Idle Gear	BNT4288	Left Side Plate
BNT2122	Click Pin	BNT4134	Worm Shaft	BNT4587	Washer
BNT2123	Click Spring	BNT4135	Level Wind Guard	BNT5306	Spool Tension Spring
BNT2165	Clutch Cam Retainer	BNT4137	Drive Shaft Cover		
BNT2221	Handle Nut	BNT4138	Pinion Gear		

(151027)