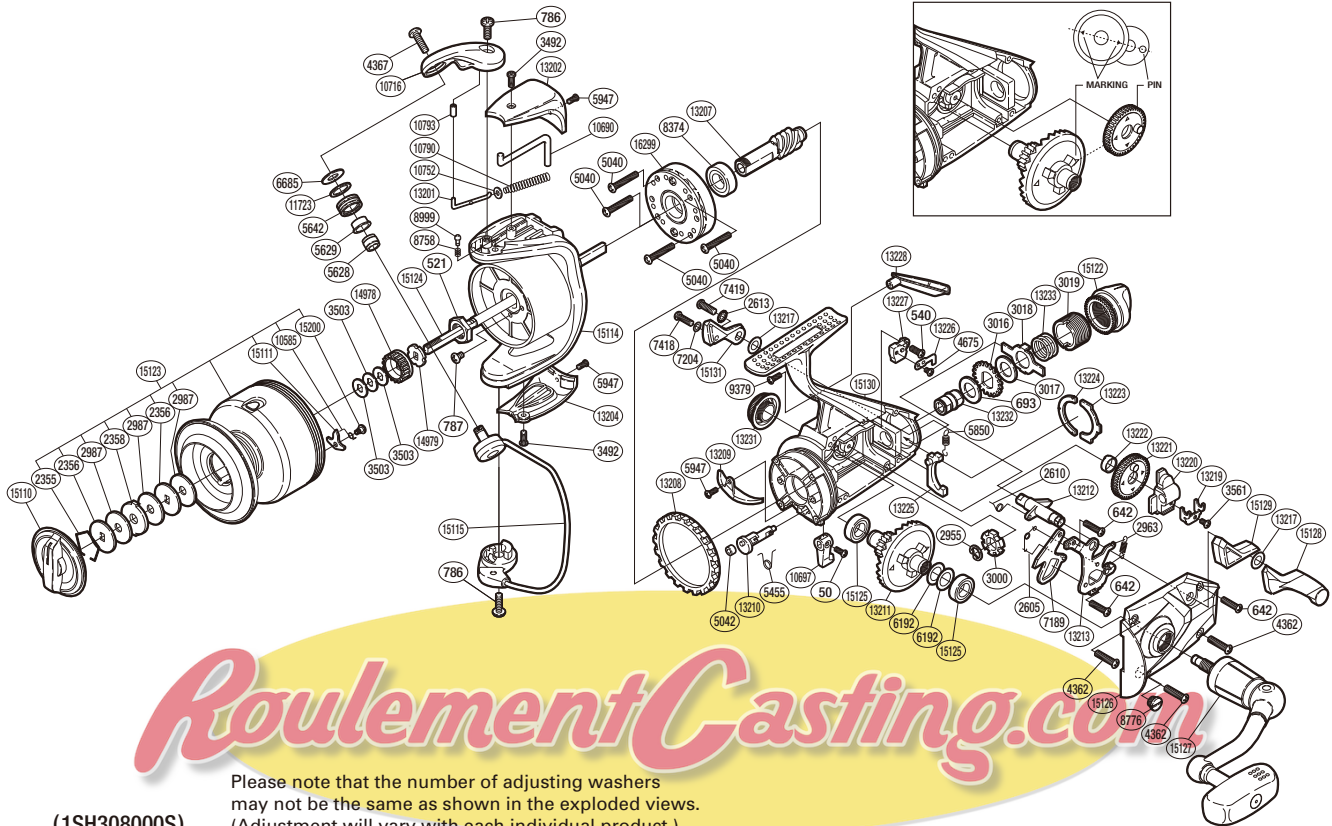


SHIMANO

BAITRUNNER

BTR-8000OC



(1SH308000S)

| Part No. | Description | Part No. | Description | Part No. | Description |
|----------|---------------------------|----------|-------------------------|----------|-----------------------------|
| RD 0050 | Screw | RD 5642 | Line Roller | RD13217 | Spacer |
| RD 0521 | Rotor Nut | RD 5850 | BaitRunner Pawl Spring | RD13219 | Oscillating Slider Retainer |
| RD 0540 | Screw | RD 5947 | Screw | RD13220 | Oscillating Slider |
| RD 0642 | Screw | RD 6192 | Washer | RD13221 | Oscillating Gear |
| RD 0693 | Free Spool Tension Washer | RD 6685 | Line Roller Washer | RD13222 | Oscillating Gear Bushing |
| RD 0786 | Screw | RD 7189 | Clutch Pawl | RD13223 | Dial Retainer |
| RD 0787 | Screw | RD 7204 | Lock Washer | RD13224 | Dial Retainer B |
| RD 2355 | Drag Washers Retainer | RD 7418 | Screw | RD13225 | BaitRunner Pawl |
| RD 2356 | Key Washer | RD 7419 | Screw | RD13226 | Dial Click |
| RD 2358 | Eared Washer | RD 8374 | Ball Bearing | RD13227 | BaitRunner Pawl Guide |
| RD 2605 | Clutch Pawl Spring | RD 8758 | Click Spring | RD13228 | Body I.D. Plate |
| RD 2610 | Clutch Spring | RD 8776 | Oil Cap | RD13231 | Handle Screw Cap |
| RD 2613 | Lock Washer | RD 8999 | Click Pin | RD13232 | Free Spool Tension Shaft |
| RD 2955 | C Lock | RD 9379 | Screw | RD13233 | Free Spool Tension Spring |
| RD 2963 | BaitRunner Click Spring | RD10585 | Click Spring | RD14978 | Spool Support A |
| RD 2987 | Drag Washer | RD10690 | Bail Trip Lever | RD14979 | Spool Support B |
| RD 3000 | BaitRunner Ratchet | RD10697 | Anti-Reverse Lever | RD15110 | Drag Knob |
| RD 3016 | Click Gear | RD10716 | Bail Arm | RD15111 | Drag Click |
| RD 3017 | Free Spool Tension Washer | RD10752 | Spring Guide A Support | RD15114 | Rotor |
| RD 3018 | Eared Washer | RD10790 | Bail Spring | RD15115 | Bail Assembly |
| RD 3019 | Free Spool Tension Screw | RD10793 | Bail Arm Collar | RD15122 | BaitRunner Tension Dial |
| RD 3492 | Screw | RD11723 | Line Roller Spacer | RD15123 | Spool Assembly |
| RD 3503 | Spool Washer | RD13201 | Bail Spring Guide A | RD15124 | Main Shaft |
| RD 3561 | Screw | RD13202 | Bail Spring Cover | RD15125 | Ball Bearing |
| RD 4362 | Screw | RD13204 | Bail Hold Support Guard | RD15126 | Side Cover |
| RD 4367 | Screw | RD13207 | Pinion Gear | RD15127 | Handle Assembly |
| RD 4675 | Screw | RD13208 | Friction Ring | RD15128 | BaitRunner Lever Arm L |
| RD 5040 | Screw | RD13209 | Bail Trip Strike | RD15129 | BaitRunner Lever Bridge |
| RD 5042 | Anti-Reverse Cam Ring | RD13210 | Anti-Reverse Cam | RD15130 | Body |
| RD 5455 | Anti-Reverse Cam Spring | RD13211 | Drive Gear | RD15131 | BaitRunner Lever Arm R |
| RD 5628 | Line Roller Collar | RD13212 | BaitRunner Lever Shaft | RD15200 | Screw |
| RD 5629 | Line Roller Bushing | RD13213 | Clutch Plate Assembly | RD16299 | Roller Clutch Assembly |

(140804)