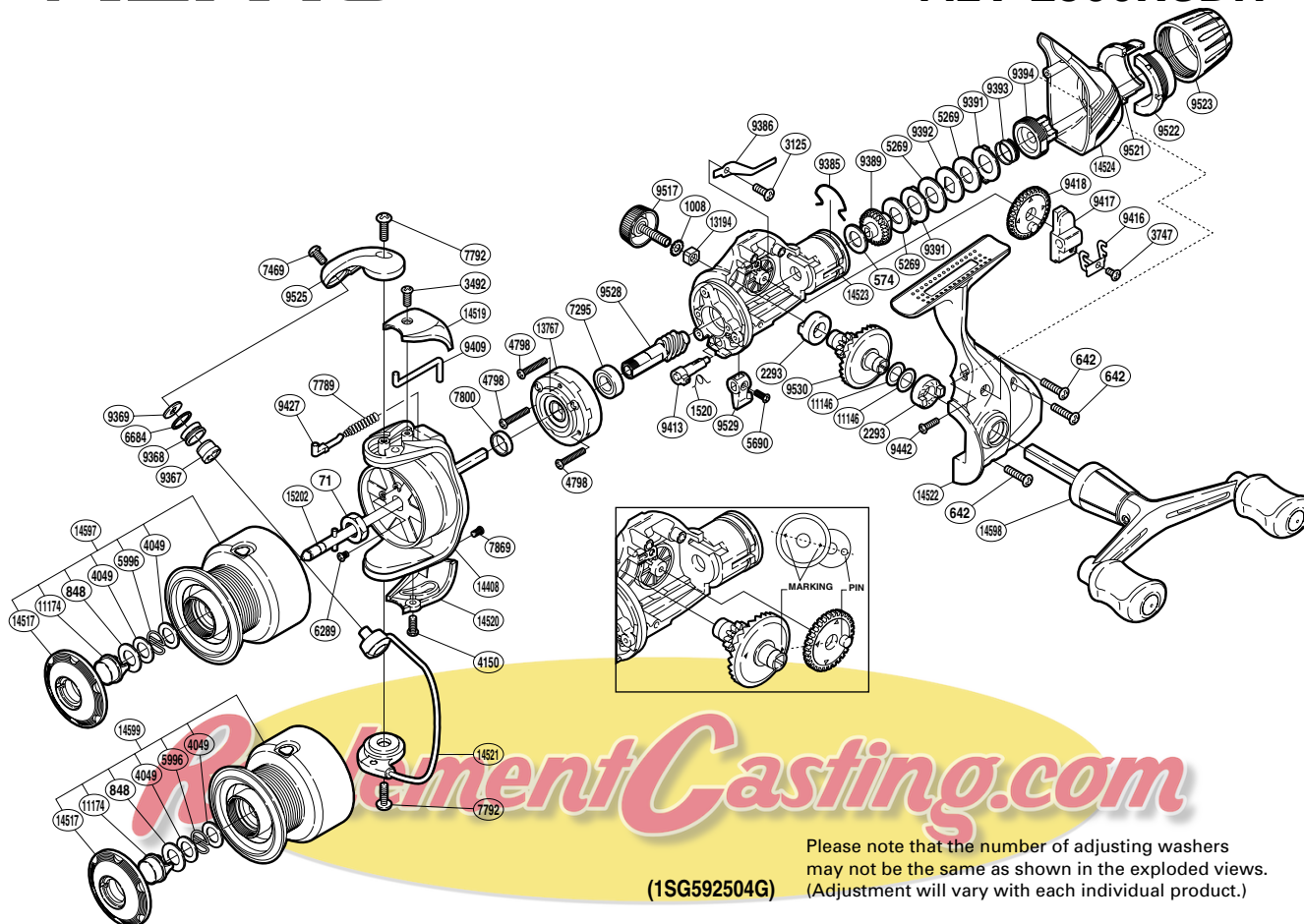


SHIMANO

ALIVIO

ALV-2500RCDH



| Part No. | Description | Part No. | Description | Part No. | Description |
|----------|-------------------------|----------|-----------------------------|----------|-------------------------------|
| RD 0071 | Rotor Nut | RD 7800 | Rotor Ring | RD 9523 | Drag Programmer A |
| RD 0574 | Drag Washer | RD 7869 | Screw | RD 9525 | Bail Arm |
| RD 0642 | Screw | RD 9367 | Line Roller Bushing | RD 9528 | Pinion Gear |
| RD 0848 | Washer | RD 9368 | Line Roller | RD 9529 | Anti-Reverse Lever |
| RD 1008 | Handle Lock Washer | RD 9369 | Line Roller Washer | RD 9530 | Drive Gear |
| RD 1520 | Anti-Reverse Cam Spring | RD 9385 | Hold Click Spring | RD11146 | Washer |
| RD 2293 | Drive Gear Bushing | RD 9386 | Drag Click | RD11174 | Push Button |
| RD 3125 | Screw | RD 9389 | Drag Shaft | RD13194 | Handle Screw Lock |
| RD 3492 | Screw | RD 9391 | Eared Washer | RD13767 | Roller Clutch Assembly |
| RD 3747 | Screw | RD 9392 | Key Washer | RD14408 | Rotor |
| RD 4049 | Washer | RD 9393 | Drag Coil Spring | RD14517 | Push Button Collar |
| RD 4150 | Screw | RD 9394 | Pressure Screw | RD14519 | Bail Spring Cover |
| RD 4798 | Screw | RD 9409 | Bail Trip Lever | RD14520 | Bail Hold Support Guard |
| RD 5269 | Drag Washer | RD 9413 | Anti-Reverse Cam | RD14521 | Bail Assembly |
| RD 5690 | Screw | RD 9416 | Oscillating Slider Retainer | RD14522 | Side Cover |
| RD 5996 | Locking Spring | RD 9417 | Oscillating Slider | RD14523 | Body |
| RD 6289 | Screw | RD 9418 | Oscillating Gear | RD14524 | Rear Protector |
| RD 6684 | Line Roller Spacer | RD 9427 | Bail Spring Guide | RD14597 | Spool Assembly |
| RD 7295 | Ball Bearing | RD 9442 | Screw | RD14598 | Double Paddle Handle Assembly |
| RD 7469 | Screw | RD 9517 | Handle Screw Cap | RD15202 | Main Shaft |
| RD 7789 | Bail Spring | RD 9521 | Drag Programmer B1 | | |
| RD 7792 | Screw | RD 9522 | Drag Programmer B2 | RD14599 | Spare Spool Assembly |