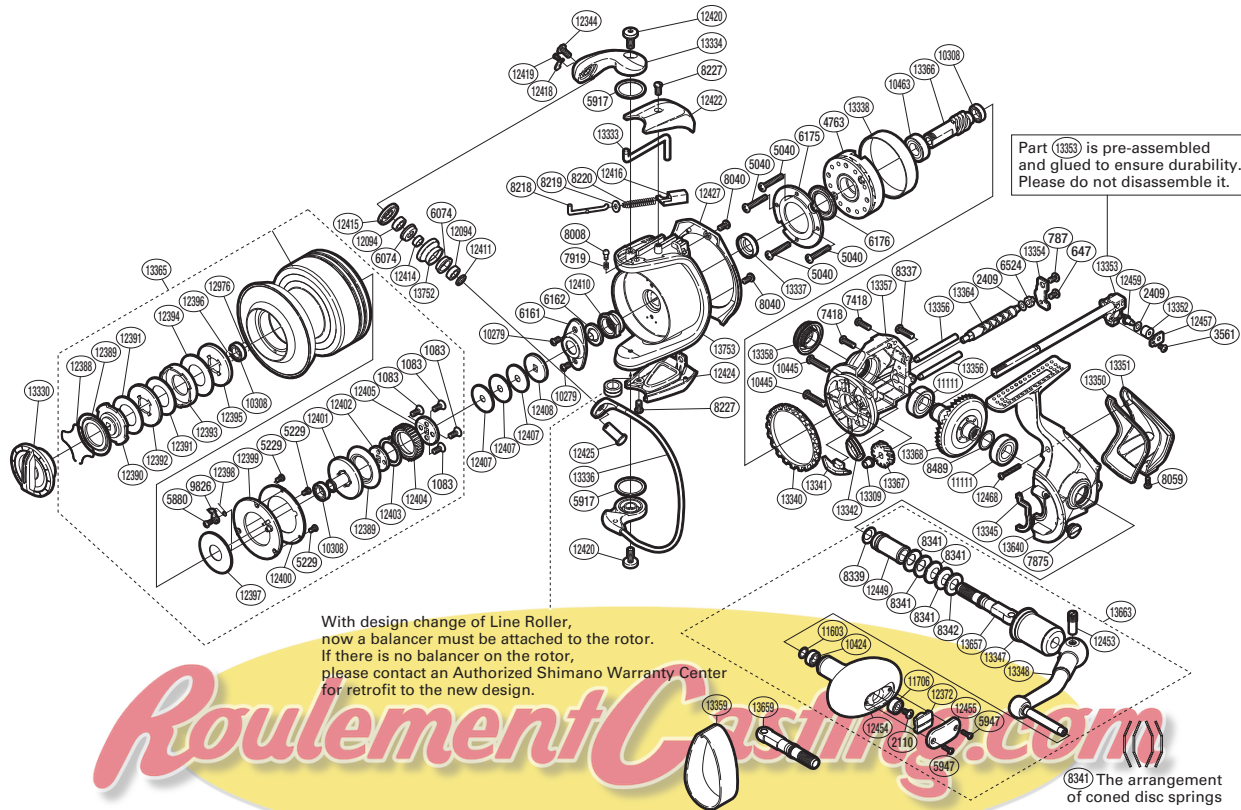


SHIMANO

TWIN POWER SA-RB

TP-10000SWA



With design change of Line Roller, now a balancer must be attached to the rotor. If there is no balancer on the rotor, please contact an Authorized Shimano Warranty Center for retrofit to the new design.

Please note that the number of adjusting washers may not be the same as shown in the exploded views. (Adjustment will vary with each individual product.)

(51SH099000G)

Part No.	Description	Part No.	Description	Part No.	Description
RD 0647	Screw	RD11603	Washer	RD12455	Handle Knob I.D. Plate
RD 0787	Screw	RD11706	Ball Bearing	RD12457	Oscillating Pawl Cover
RD 1083	Screw	RD12094	Ball Bearing	RD12459	Oscillating Pawl
RD 2110	Screw	RD12344	Screw	RD12468	Screw
RD 2409	Spacer	RD12372	Handle Knob Seal	RD12976	Bearing Retainer
RD 3561	Screw	RD12388	Drag Washers Retainer	RD13309	Worm Bushing (front)
RD 4763	Roller Clutch Assembly	RD12389	Seal Plate	RD13330	Drag Knob
RD 5040	Screw	RD12390	Key Washer	RD13333	Bail Trip Lever
RD 5229	Screw	RD12391	Drag Washer	RD13334	Bail Arm
RD 5880	Screw	RD12392	Eared Washer	RD13336	Bail Assembly
RD 5917	Washer	RD12393	Key Washer	RD13337	Rotor Ring
RD 5947	Screw	RD12394	Drag Washer	RD13338	Roller Clutch Ring
RD 6074	Line Roller Bushing	RD12395	Eared Washer	RD13340	Friction Ring
RD 6161	Rotor Nut Lock Plate	RD12396	O Ring	RD13341	Bail Trip Strike
RD 6162	Bearing Water Proof	RD12397	Drag Washer	RD13342	Roller Clutch Case Water Proof
RD 6175	Water Proof Cover	RD12398	Drag Click Spring	RD13345	Flange Water Proof
RD 6176	Roller Clutch Water Proof	RD12399	Spool Pin Cover	RD13347	Handle Shank Cover B
RD 6524	Worm Bushing (rear)	RD12400	Spool Pin Cover Plate	RD13348	Handle Shank Assembly
RD 7418	Screw	RD12401	Bearing Bushing	RD13350	Rear Shield
RD 7875	Oil Cap	RD12402	Spool Support A	RD13351	Rear Protector
RD 7919	Click Spring	RD12403	Ratchet Spring	RD13352	Oscillating Slider Bushing
RD 8008	Click Pin	RD12404	Drag Click Ratchet	RD13353	Main Shaft Assembly
RD 8040	Screw	RD12405	Spool Support B	RD13354	Worm Shaft Retainer
RD 8059	Screw	RD12407	Spool Washer	RD13356	Oscillating Guide
RD 8218	Bail Spring Guide A	RD12408	Spool Support C	RD13357	Body
RD 8219	Spring Guide A Support	RD12410	Rotor Nut	RD13358	Handle Screw Cap
RD 8220	Bail Spring	RD12411	Line Roller Support Collar	RD13364	Worm Shaft
RD 8227	Screw	RD12414	Bearing Spacer	RD13365	Spool Assembly
RD 8337	Screw	RD12415	Line Roller Plate	RD13366	Pinion Gear
RD 8339	Handle Shaft Seal	RD12416	Bail Spring Seat	RD13367	Idle Gear
RD 8341	Coned Disc Spring	RD12418	Screw Retainer	RD13368	Drive Gear
RD 8342	Small Handle Shank Washer	RD12419	Screw Support	RD13640	Side Cover
RD 8489	Washer	RD12420	Screw	RD13657	Handle Shaft (left)
RD 9826	Drag Click	RD12422	Bail Spring Cover	RD13663	Handle Assembly
RD10279	Screw	RD12424	Bail Hold Support Guard	RD13752	Line Roller
RD10308	Ball Bearing	RD12425	Line Roller Support	RD13753	Rotor
RD10424	Ball Bearing	RD12427	Rotor Guard		
RD10445	Screw	RD12449	Handle Shaft Cover A		
RD10463	Ball Bearing	RD12453	Handle Shaft Screw	RD13359	Line Band (accessory)
RD11111	Ball Bearing	RD12454	Handle Knob	RD13659	Handle Shaft (right) (accessory)