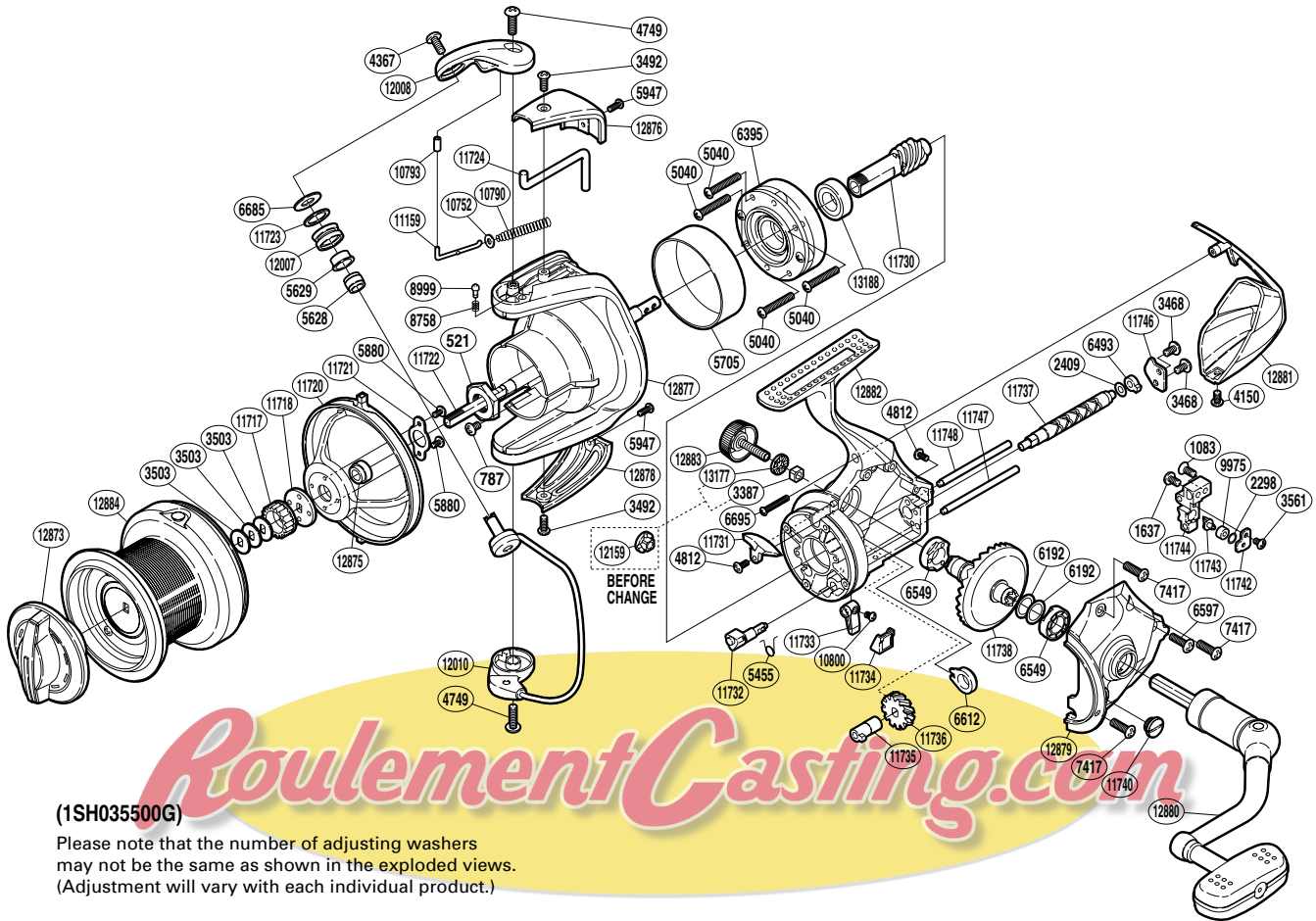


# SHIMANO

## TITANOS S A-RB

## TIT-5500XSA



(1SH035500G)

Please note that the number of adjusting washers may not be the same as shown in the exploded views. (Adjustment will vary with each individual product.)

Part No.	Description	Part No.	Description	Part No.	Description
RD 0521	Rotor Nut	RD 6612	Bushing	RD11738	Drive Gear
RD 0787	Screw	RD 6685	Line Roller Washer	RD11740	Oil Cap
RD 1083	Screw	RD 6695	Screw	RD11742	Oscillating Pawl Retainer
RD 1637	Screw	RD 7417	Screw	RD11743	Oscillating Pawl
RD 2298	Spacer	RD 8758	Click Spring	RD11744	Oscillating Slider
RD 2409	Spacer	RD 8999	Click Pin	RD11746	Worm Shaft Retainer
RD 3387	Handle Screw Lock	RD 9975	Oscillating Slider Bushing	RD11747	Oscillating Guide B
RD 3468	Screw	RD10752	Bail Spring Guide A Support	RD11748	Oscillating Guide A
RD 3492	Screw	RD10790	Bail Spring	RD12007	Line Roller
RD 3503	Spool Washer	RD10793	Bail Arm Collar	RD12008	Bail Arm
RD 3561	Screw	RD10800	Screw	RD12010	Bail Assembly
RD 4150	Screw	RD11159	Bail Spring Guide A	RD12873	Drag Knob
RD 4367	Screw	RD11171	Spool Support A	RD12875	Line Safety Guard Bushing
RD 4749	Screw	RD11178	Spool Support B	RD12876	Bail Spring Cover
RD 4812	Screw	RD11720	Line Safety Guard	RD12877	Rotor
RD 5040	Screw	RD11721	Bearing Retainer	RD12878	Bail Hold Support Guard
RD 5455	Anti-Reverse Cam Spring	RD11722	Main Shaft	RD12879	Side Cover
RD 5628	Line Roller Collar	RD11723	Line Roller Spacer	RD12880	Handle Assembly
RD 5629	Line Roller Bushing	RD11724	Bail Trip Lever	RD12881	Rear Protector
RD 5705	Roller Clutch Ring	RD11730	Pinion Gear	RD12882	Body
RD 5880	Screw	RD11731	Bail Trip Strike	RD12883	Handle Screw Cap
RD 5947	Screw	RD11732	Anti-Reverse Cam	RD12884	Spool Assembly
RD 6192	Washer	RD11733	Anti-Reverse Lever	RD13177	Handle Screw Cap Spacer
RD 6395	Roller Clutch Assembly	RD11734	Anti-Reverse Lever Cover	RD13188	Ball Bearing
RD 6493	Worm Bushing (rear)	RD11735	Worm Bushing (front)		
RD 6549	Drive Gear Bushing	RD11736	Idle Gear		
RD 6597	Screw	RD11737	Worm Shaft	RD12159	Handle Screw Lock Washer (before change)