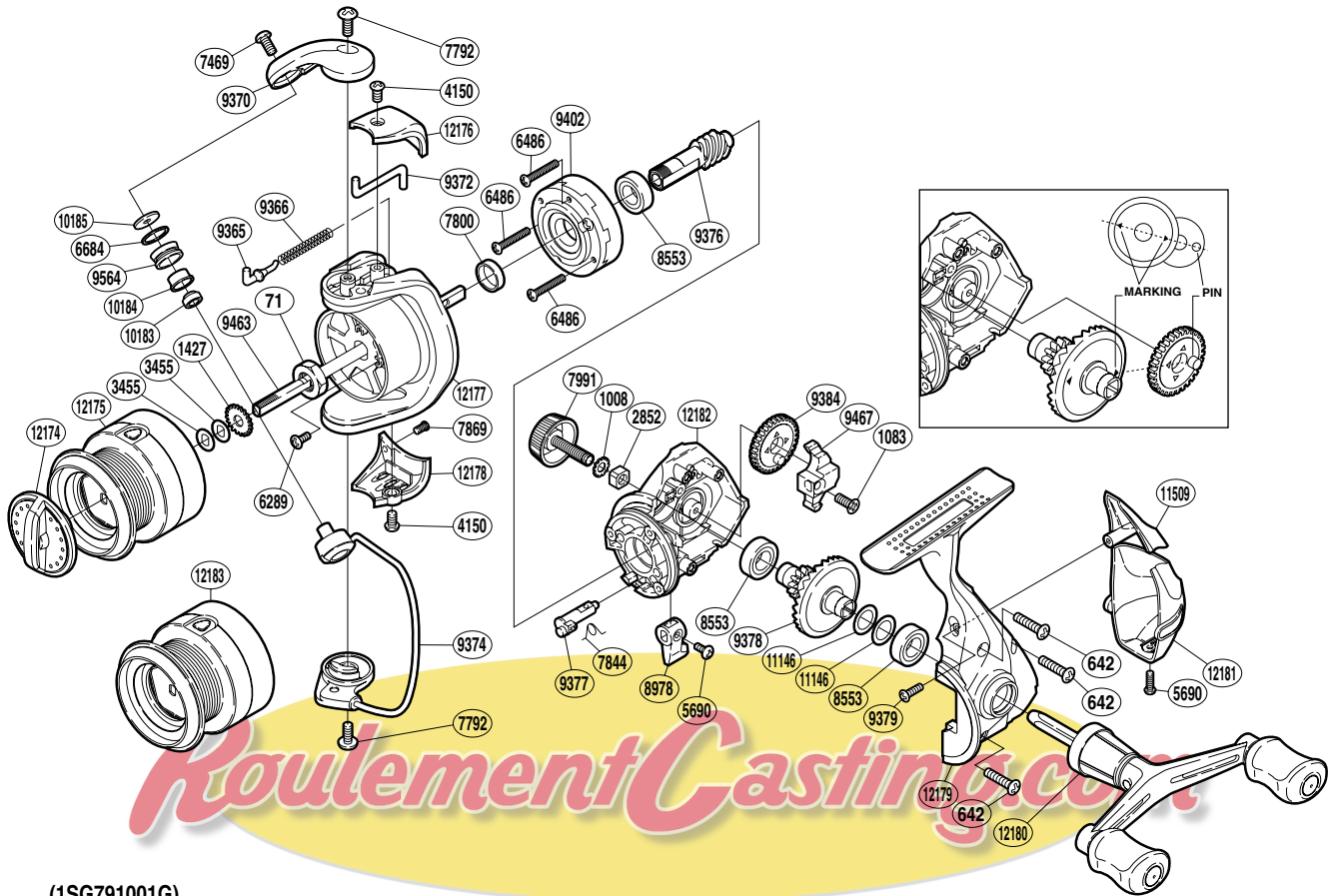


SHIMANO

EXAGE

EXG-1000FB



(1SG791001G)

Part No.	Description	Part No.	Description	Part No.	Description
RD 0071	Rotor Nut	RD 7991	Handle Screw Cap	RD10183	Ball Bearing
RD 0642	Screw	RD 8553	Ball Bearing	RD10184	Line Roller Bushing
RD 1008	Handle Lock Washer	RD 8978	Anti-Reverse Lever	RD10185	Line Roller Washer
RD 1083	Screw	RD 9365	Bail Spring Guide	RD11146	Washer
RD 1427	Spool Support	RD 9366	Bail Spring	RD11509	Rear Protector A
RD 2852	Handle Screw Lock	RD 9370	Bail Arm	RD12174	Drag Knob
RD 3455	Spool Washer	RD 9372	Bail Trip Lever	RD12175	Spool Assembly
RD 4150	Screw	RD 9374	Bail Assembly	RD12176	Bail Spring Cover
RD 5690	Screw	RD 9376	Pinion Gear	RD12177	Rotor
RD 6289	Screw	RD 9377	Anti-Reverse Cam	RD12178	Bail Hold Support Guard
RD 6486	Screw	RD 9378	Drive Gear	RD12179	Side Cover
RD 6684	Line Roller Spacer	RD 9379	Screw	RD12180	Double Paddle Handle Assembly
RD 7469	Screw	RD 9384	Oscillating Gear	RD12181	Rear Protector B
RD 7792	Screw	RD 9402	Roller Clutch Assembly	RD12182	Body
RD 7800	Rotor Ring	RD 9463	Main Shaft		
RD 7844	Anti-Reverse Cam Spring	RD 9467	Oscillating Slider		
RD 7869	Screw	RD 9564	Line Roller	RD12183	Spare Spool Assembly