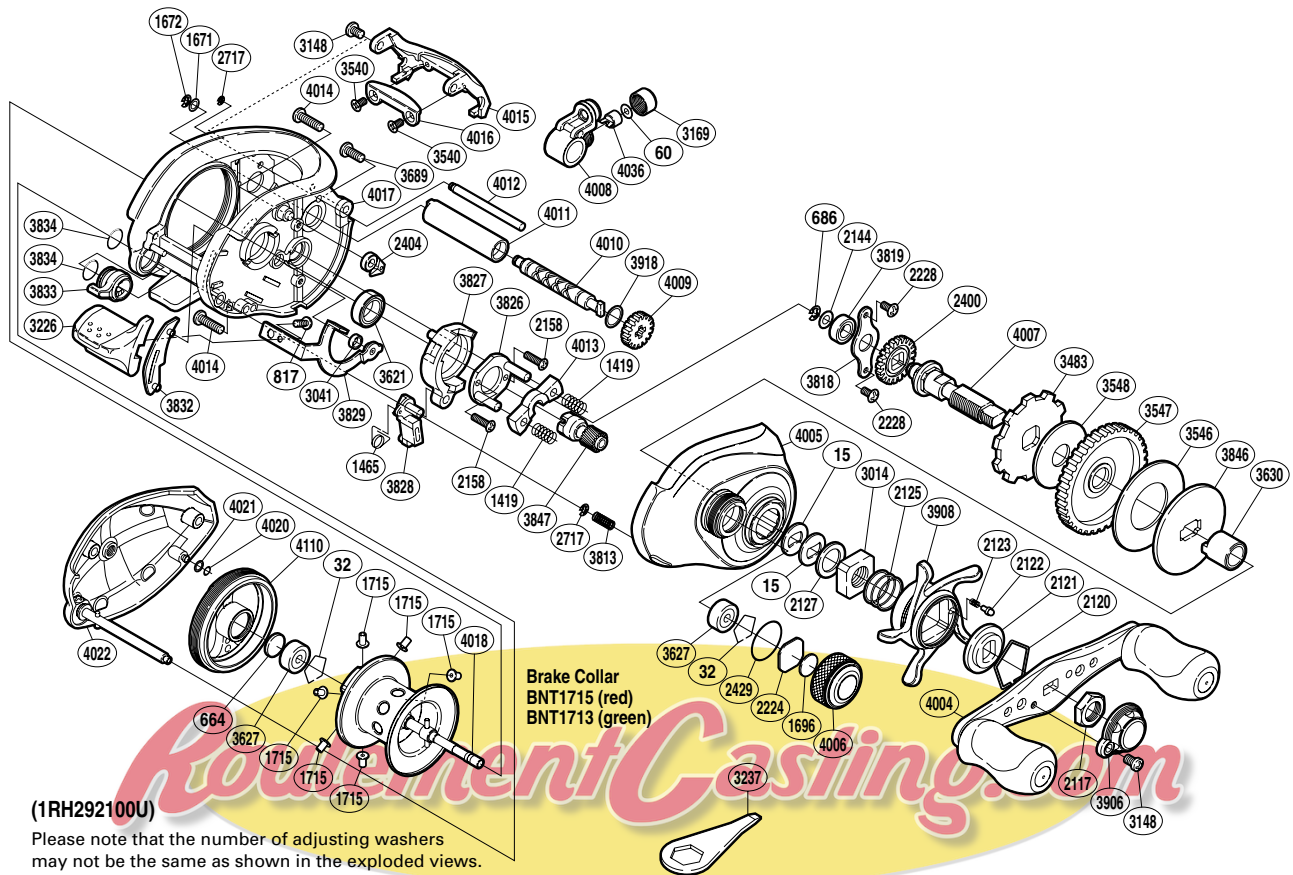


SHIMANO

CHRONARCH S A-RB

CH-100D7



| Part No. | Description | Part No. | Description | Part No. | Description |
|----------|----------------------|----------|----------------------------|----------|----------------------------------|
| BNT0015 | Drag Spring Washer | BNT3014 | Star Drag Nut | BNT3908 | Star Drag |
| BNT0032 | Bearing Retainer | BNT3041 | Clutch Plate Shaft Support | BNT3918 | Washer |
| BNT0060 | Spacer | BNT3148 | Screw | BNT4004 | Handle Assembly |
| BNT0664 | Spacer B | BNT3169 | Pawl Cap | BNT4005 | Right Side Plate |
| BNT0686 | E Lock | BNT3226 | Quick-Fire II Clutch Bar | BNT4006 | Cast Control Cap |
| BNT0817 | Screw | BNT3483 | Anti-Reverse Ratchet | BNT4007 | Drive Shaft |
| BNT1419 | Yoke Spring | BNT3540 | Screw | BNT4008 | Line Guide |
| BNT1465 | Clutch Pawl Spring | BNT3546 | Drag Washer | BNT4009 | Idle Gear |
| BNT1671 | Washer | BNT3547 | Drive Gear | BNT4010 | Worm Shaft |
| BNT1672 | E Lock | BNT3548 | Drag Washer | BNT4011 | Level Wind Guard |
| BNT1696 | Cast Control Spacer | BNT3621 | Ball Bearing | BNT4012 | Level Wind Guide |
| BNT1715 | Brake Collar (red) | BNT3627 | Ball Bearing | BNT4013 | Yoke |
| BNT2117 | Handle Nut | BNT3630 | Roller Clutch Inner Tube | BNT4014 | Screw |
| BNT2120 | Click Plate Retainer | BNT3689 | Screw | BNT4015 | Level Wind Protector |
| BNT2121 | Star Drag Click | BNT3813 | Damper Spring | BNT4016 | Line Guard Retainer |
| BNT2122 | Click Pin | BNT3818 | Drive Shaft Retainer | BNT4017 | One-Piece Frame |
| BNT2123 | Click Spring | BNT3819 | Ball Bearing | BNT4018 | Spool Assembly |
| BNT2125 | Star Drag Spring | BNT3826 | Clutch Cam Retainer | BNT4020 | Washer |
| BNT2127 | Star Drag Spacer | BNT3827 | Clutch Cam | BNT4021 | O Ring |
| BNT2144 | Washer | BNT3828 | Clutch Pawl | BNT4022 | Left Side Plate |
| BNT2158 | Screw | BNT3829 | Clutch Plate | BNT4036 | Line Guide Pawl |
| BNT2224 | Spool Tension Spacer | BNT3832 | Clutch Bar Guide B | BNT4110 | Brake Case |
| BNT2228 | Screw | BNT3833 | Side Plate Cam Lever | | |
| BNT2400 | Idle Gear | BNT3834 | O Ring | | |
| BNT2404 | Anti-Reverse Pawl | BNT3846 | Key Washer | | |
| BNT2429 | O Ring | BNT3847 | Pinion Gear | BNT1713 | Brake Collar (green) (accessory) |
| BNT2717 | E Lock | BNT3906 | Handle Retainer | BNT3237 | Wrench (accessory) |