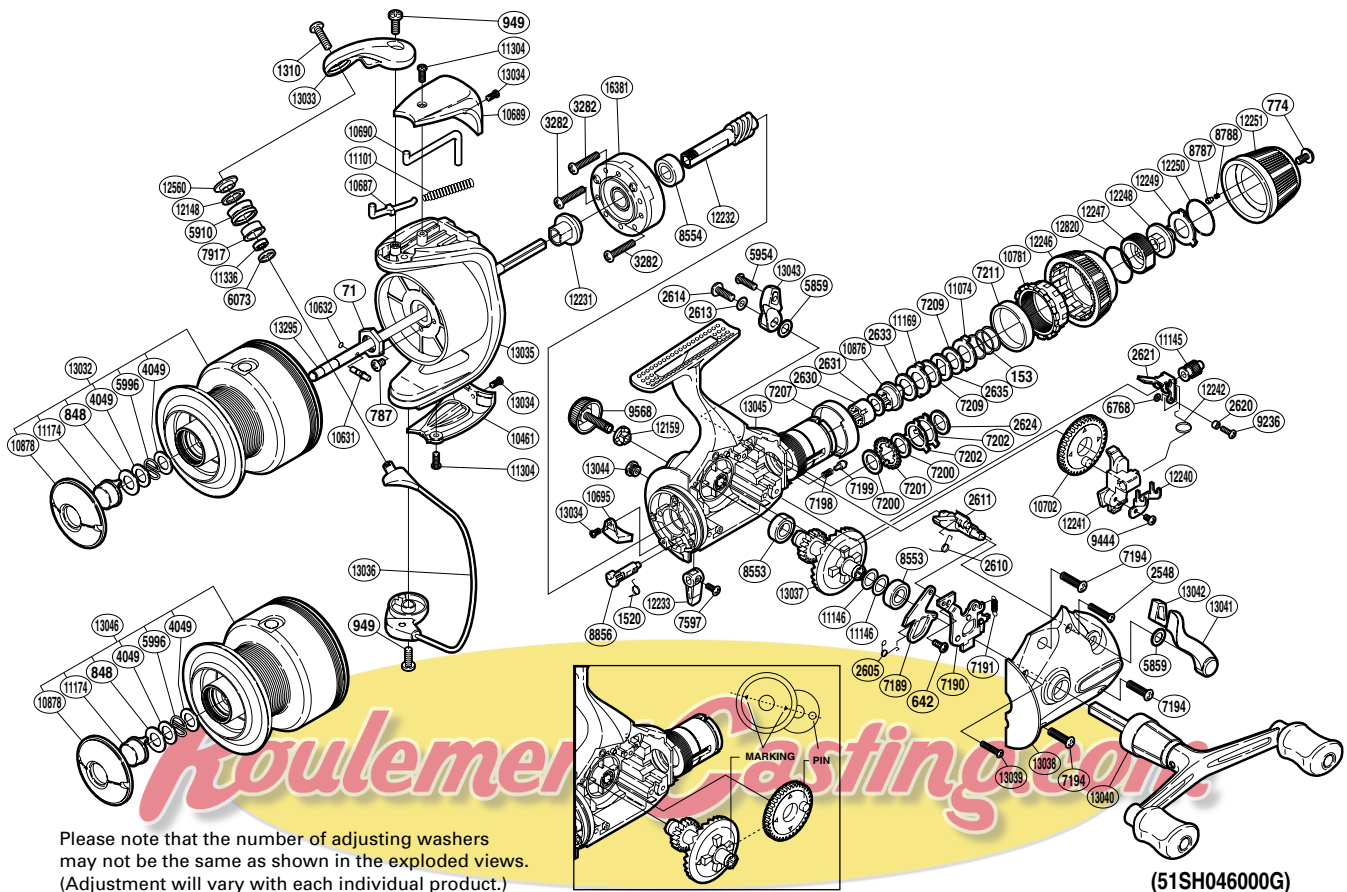


SHIMANO

BAITRUNNER XT

BTR-XT6000RA



Please note that the number of adjusting washers may not be the same as shown in the exploded views. (Adjustment will vary with each individual product.)

(51SH046000G)

| Part No. | Description | Part No. | Description | Part No. | Description |
|----------|--------------------------|----------|--------------------------|----------|----------------------------------|
| RD 0071 | Rotor Nut | RD 7199 | Dial Click Shoe | RD11336 | Ball Bearing |
| RD 0153 | Drag Coil Spring | RD 7200 | Drag Washer | RD12148 | Line Roller Spacer |
| RD 0642 | Screw | RD 7201 | Click Gear | RD12159 | Handle Screw Lock Washer |
| RD 0774 | Screw | RD 7202 | Eared Washer | RD12231 | Rotor Spacer |
| RD 0787 | Screw | RD 7207 | Dial Spacer | RD12232 | Pinion Gear |
| RD 0848 | Washer | RD 7209 | Drag Washer | RD12233 | Anti-Reverse Lever |
| RD 0949 | Screw | RD 7211 | Dial Washer | RD12240 | Oscillating Slider Retainer |
| RD 1310 | Screw | RD 7597 | Screw | RD12241 | Oscillating Slider |
| RD 1520 | Anti-Reverse Cam Spring | RD 7917 | Line Roller Bushing | RD12242 | Clutch Shaft Spring |
| RD 2548 | Screw | RD 8553 | Ball Bearing | RD12246 | BaitRunner Tension Dial |
| RD 2605 | Clutch Pawl Spring | RD 8554 | Ball Bearing | RD12247 | Pressure Screw B |
| RD 2610 | Clutch Spring | RD 8787 | Click Pin | RD12248 | Pressure Screw A |
| RD 2611 | BaitRunner Lever Shaft | RD 8788 | Click Spring | RD12249 | Click Plate |
| RD 2613 | Lock Washer | RD 8856 | Anti-Reverse Cam | RD12250 | Click Plate Retainer |
| RD 2614 | Screw | RD 9236 | Screw | RD12251 | Drag Programmer |
| RD 2620 | Screw Collar | RD 9444 | Screw | RD12560 | Line Roller Washer |
| RD 2621 | BaitRunner Clutch | RD 9568 | Handle Screw Cap | RD12820 | BaitRunner Tension Dial Retainer |
| RD 2624 | Drag Washer | RD10461 | Rotor Side Cover | RD13032 | Spool Assembly |
| RD 2630 | Free Spool Tension Shaft | RD10631 | Main Shaft Pin | RD13033 | Bail Arm |
| RD 2631 | Drag Washer | RD10632 | O Ring | RD13034 | Screw |
| RD 2633 | Drag Washer | RD10687 | Bail Spring Guide A | RD13035 | Rotor |
| RD 2635 | Key Washer | RD10689 | Bail Spring Cover | RD13036 | Bail Assembly |
| RD 3282 | Screw | RD10690 | Bail Trip Lever | RD13037 | Drive Gear |
| RD 4049 | Washer | RD10695 | Bail Trip Strike | RD13038 | Side Cover |
| RD 5859 | Spacer | RD10702 | Oscillating Gear | RD13039 | Screw |
| RD 5910 | Line Roller | RD10781 | BaitRunner Tension Screw | RD13040 | Double Paddle Handle Assembly |
| RD 5954 | Screw | RD10876 | Drag Shaft | RD13041 | BaitRunner Lever Arm L |
| RD 5996 | Locking Spring | RD10878 | Push Button Collar | RD13042 | BaitRunner Lever Bridge |
| RD 6073 | Bearing Spacer | RD11074 | Eared Washer | RD13043 | BaitRunner Lever Arm R |
| RD 6768 | Spacer | RD11101 | Bail Spring | RD13044 | Oil Cap |
| RD 7189 | Clutch Pawl | RD11145 | Clutch Shaft | RD13045 | Body |
| RD 7190 | Clutch Plate Assembly | RD11146 | Washer | RD13295 | Main Shaft |
| RD 7191 | BaitRunner Click Spring | RD11169 | Eared Washer | RD16381 | Roller Clutch Assembly |
| RD 7194 | Screw | RD11174 | Push Button | | |
| RD 7198 | Dial Click Spring | RD11304 | Screw | RD13046 | Spare Spool Assembly |