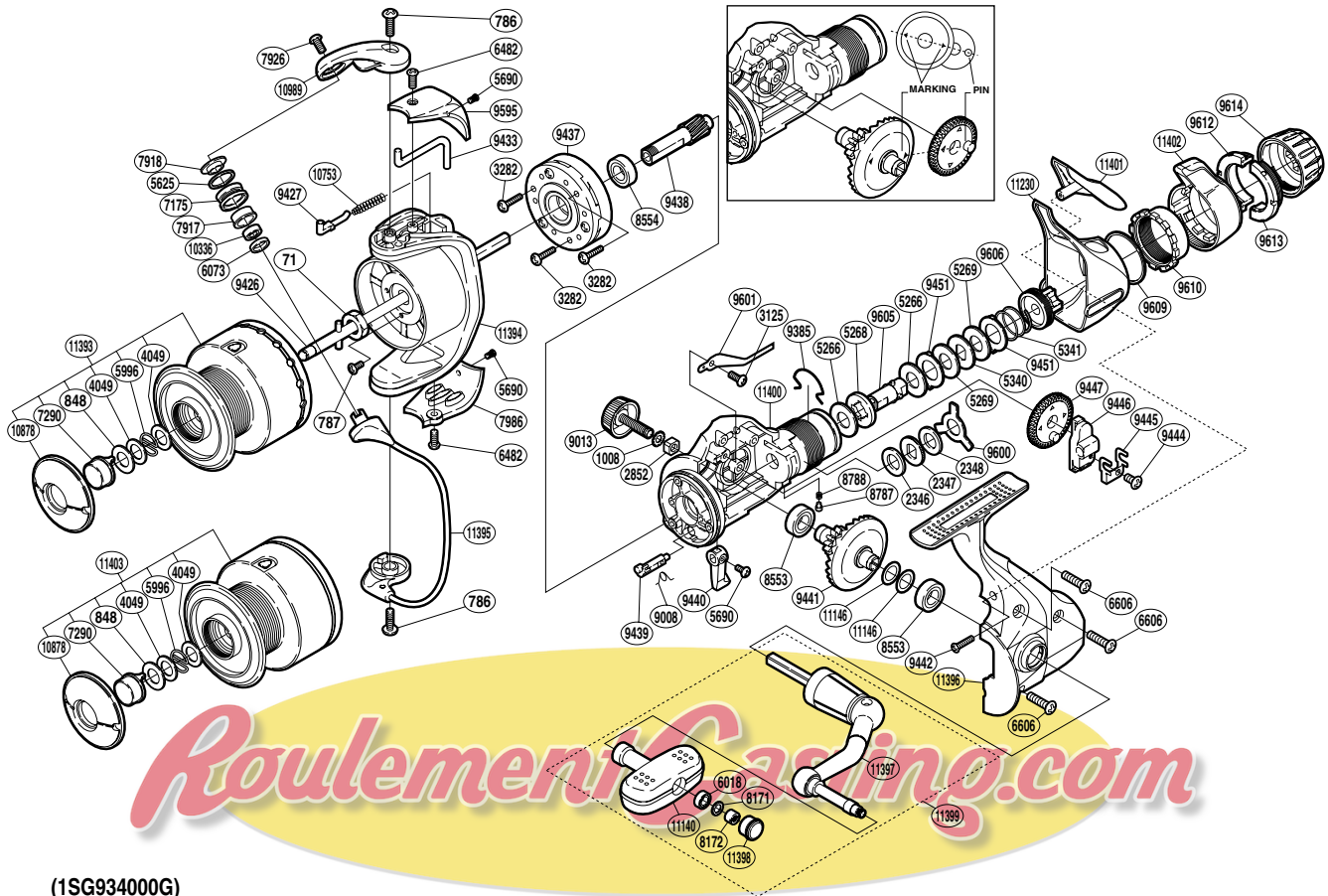


# SHIMANO

## SEIDO

## SED-4000RA



(1SG934000G)

| Part No. | Description         | Part No. | Description                 | Part No. | Description                    |
|----------|---------------------|----------|-----------------------------|----------|--------------------------------|
| RD 0071  | Rotor Nut           | RD 7926  | Screw                       | RD 9605  | Drag Shaft A                   |
| RD 0786  | Screw               | RD 7986  | Bail Hold Support Guard     | RD 9606  | Pressure Screw                 |
| RD 0787  | Screw               | RD 8171  | Washer                      | RD 9609  | Fightin' Pressure Screw Washer |
| RD 0848  | Washer              | RD 8172  | Handle Knob Nut             | RD 9610  | Fightin' Pressure Screw        |
| RD 1008  | Handle Lock Washer  | RD 8553  | Ball Bearing                | RD 9612  | Drag Programmer B1             |
| RD 2346  | Drag Washer         | RD 8554  | Ball Bearing                | RD 9613  | Drag Programmer B2             |
| RD 2347  | Click Gear          | RD 8787  | Click Pin                   | RD 9614  | Drag Programmer A              |
| RD 2348  | Drag Washer         | RD 8788  | Click Spring                | RD10753  | Bail Spring                    |
| RD 2852  | Handle Screw Lock   | RD 9008  | Anti-Reverse Cam Spring     | RD10878  | Push Button Collar             |
| RD 3125  | Screw               | RD 9013  | Handle Screw Cap            | RD10989  | Bail Arm                       |
| RD 3282  | Screw               | RD 9385  | Hold Click Spring           | RD11140  | Handle Knob                    |
| RD 4049  | Washer              | RD 9426  | Main Shaft                  | RD11146  | Washer                         |
| RD 5266  | Drag Washer         | RD 9427  | Bail Spring Guide           | RD11230  | Rear Protector B               |
| RD 5268  | Drag Shaft B        | RD 9433  | Bail Trip Lever             | RD11336  | Ball Bearing                   |
| RD 5269  | Drag Washer         | RD 9437  | Roller Clutch Assembly      | RD11393  | Spool Assembly                 |
| RD 5340  | Key Washer          | RD 9438  | Pinion Gear                 | RD11394  | Rotor                          |
| RD 5341  | Drag Coil Spring    | RD 9439  | Anti-Reverse Cam            | RD11395  | Bail Assembly                  |
| RD 5625  | Line Roller Spacer  | RD 9440  | Anti-Reverse Lever          | RD11396  | Side Cover                     |
| RD 5690  | Screw               | RD 9441  | Drive Gear                  | RD11397  | Handle Shank Assembly          |
| RD 5996  | Locking Spring      | RD 9442  | Screw                       | RD11398  | Handle Knob Seal               |
| RD 6018  | Ball Bearing        | RD 9444  | Screw                       | RD11399  | Handle Assembly                |
| RD 6073  | Bearing Spacer      | RD 9445  | Oscillating Slider Retainer | RD11400  | Body                           |
| RD 6482  | Screw               | RD 9446  | Oscillating Slider          | RD11401  | Rear Protector A               |
| RD 6606  | Screw               | RD 9447  | Oscillating Gear            | RD11402  | Fightin' Lever                 |
| RD 7175  | Line Roller         | RD 9451  | Eared Washer                |          |                                |
| RD 7290  | Push Button         | RD 9595  | Bail Spring Cover           |          |                                |
| RD 7917  | Line Roller Bushing | RD 9600  | Eared Washer                |          |                                |
| RD 7918  | Line Roller Washer  | RD 9601  | Drag Click                  | RD11403  | Spare Spool Assembly           |