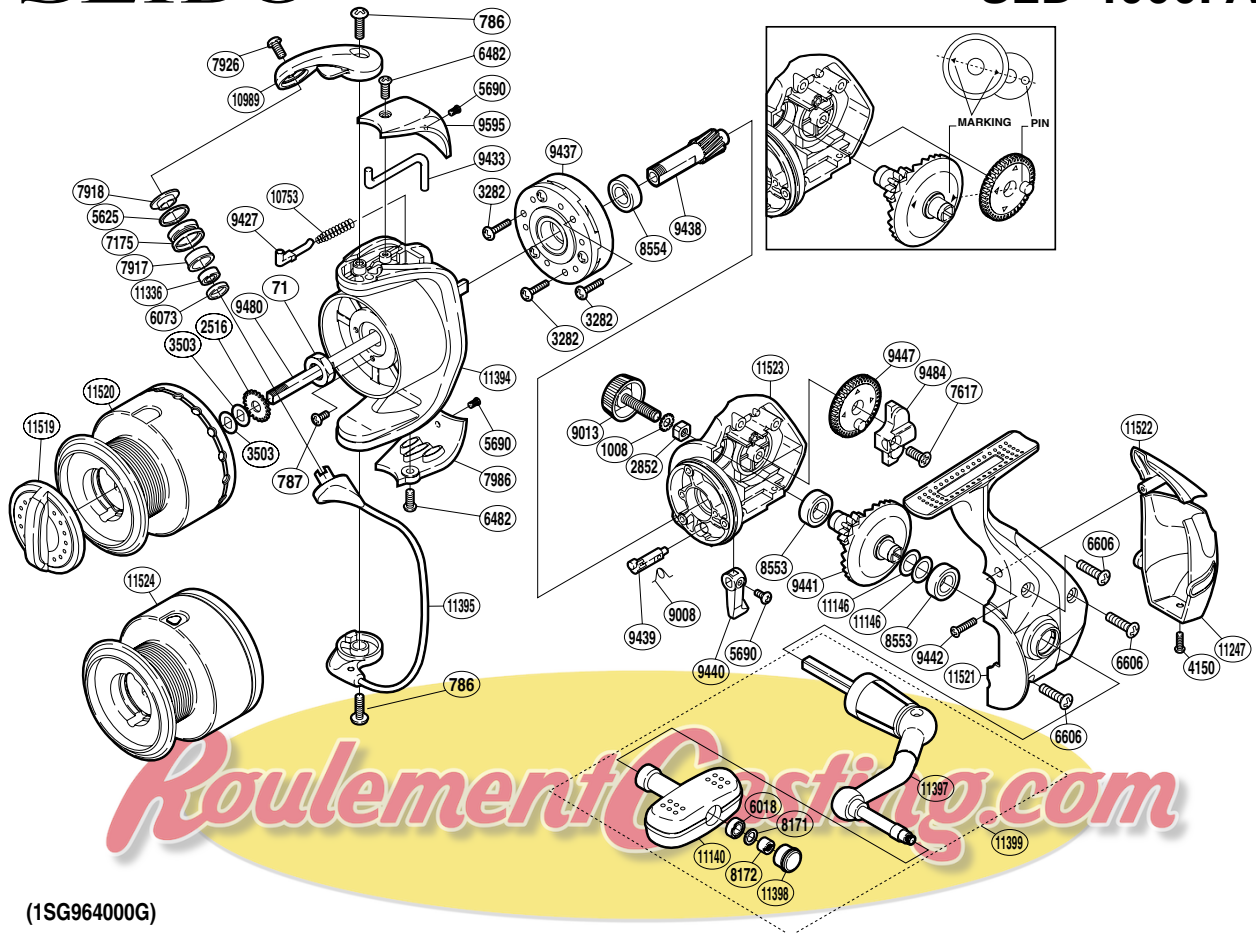


SHIMANO

SEIDO

SED-4000FA



(1SG964000G)

| Part No. | Description | Part No. | Description | Part No. | Description |
|----------|---------------------|----------|-------------------------|----------|-----------------------|
| RD 0071 | Rotor Nut | RD 7926 | Screw | RD 9595 | Bail Spring Cover |
| RD 0786 | Screw | RD 7986 | Bail Hold Support Guard | RD10753 | Bail Spring |
| RD 0787 | Screw | RD 8171 | Washer | RD10989 | Bail Arm |
| RD 1008 | Handle Lock Washer | RD 8172 | Handle Knob Nut | RD11140 | Handle Knob |
| RD 2516 | Spool Support | RD 8553 | Ball Bearing | RD11146 | Washer |
| RD 2852 | Handle Screw Lock | RD 8554 | Ball Bearing | RD11247 | Rear Protector B |
| RD 3282 | Screw | RD 9008 | Anti-Reverse Cam Spring | RD11336 | Ball Bearing |
| RD 3503 | Spool Washer | RD 9013 | Handle Screw Cap | RD11394 | Rotor |
| RD 4150 | Screw | RD 9427 | Bail Spring Guide | RD11395 | Bail Assembly |
| RD 5625 | Line Roller Spacer | RD 9433 | Bail Trip Lever | RD11397 | Handle Shank Assembly |
| RD 5690 | Screw | RD 9437 | Roller Clutch Assembly | RD11398 | Handle Knob Seal |
| RD 6018 | Ball Bearing | RD 9438 | Pinion Gear | RD11399 | Handle Assembly |
| RD 6073 | Bearing Spacer | RD 9439 | Anti-Reverse Cam | RD11519 | Drag Knob |
| RD 6482 | Screw | RD 9440 | Anti-Reverse Lever | RD11520 | Spool Assembly |
| RD 6606 | Screw | RD 9441 | Drive Gear | RD11521 | Side Cover |
| RD 7175 | Line Roller | RD 9442 | Screw | RD11522 | Rear Protector A |
| RD 7617 | Screw | RD 9447 | Oscillating Gear | RD11523 | Body |
| RD 7917 | Line Roller Bushing | RD 9480 | Main Shaft | | |
| RD 7918 | Line Roller Washer | RD 9484 | Oscillating Slider | RD11524 | Spare Spool Assembly |