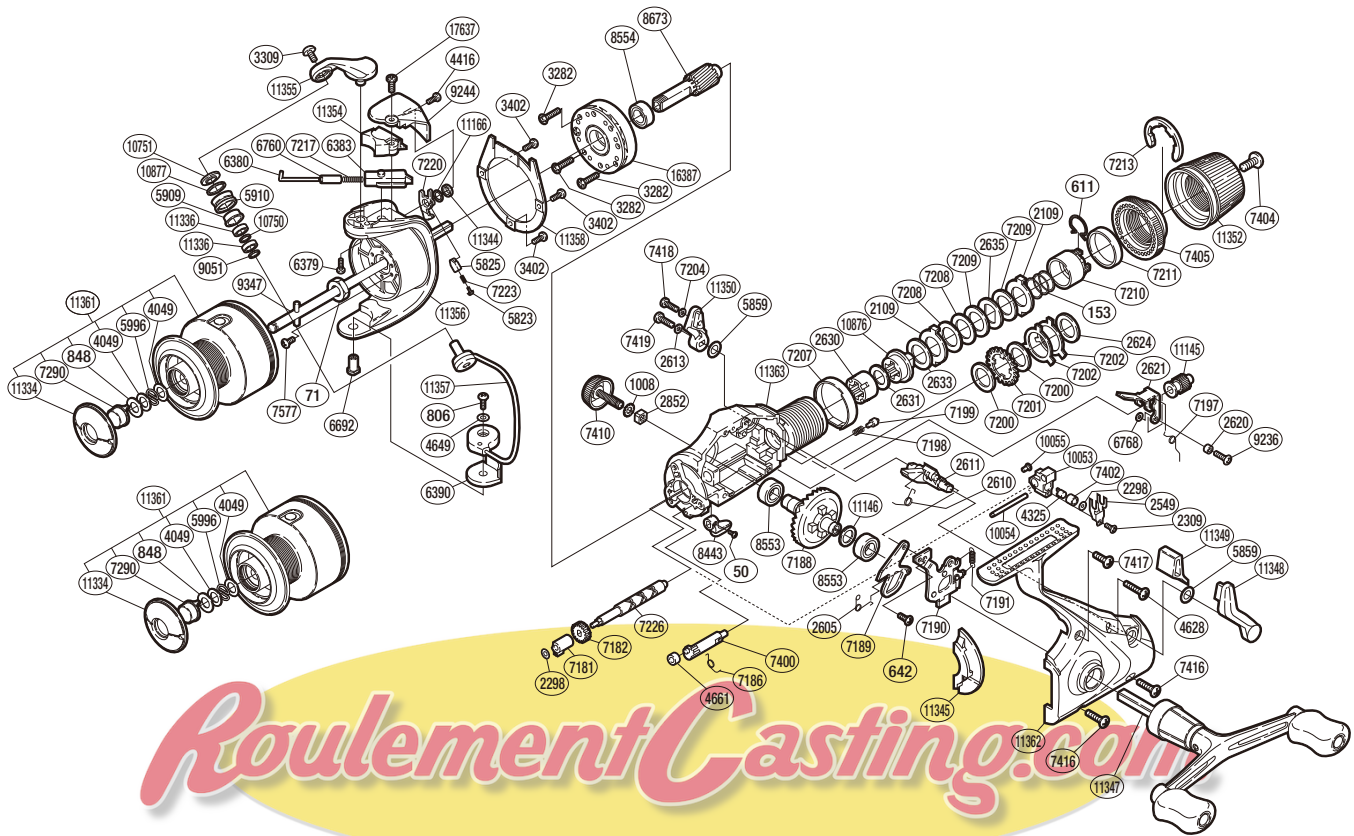


SHIMANO

BAITRUNNER AERO

BTA-GTE8000C



(51SG538002G)

RD No.	PARTS NAMES	RD No.	PARTS NAMES	RD No.	PARTS NAMES
0050	Screw	6380	Bail Spring Guide A	7577	Screw
0071	Rotor Nut	6383	Bail Spring Guide B	8443	Anti-Reverse Lever
0153	Drag Coil Spring	6390	Bail Hold Support Spacer	8553	Ball Bearing
0611	Hold Click Spring	6692	Bail Hold Support Shaft	8554	Ball Bearing
0642	Screw	6760	Bail Spring Guide A Collar	8673	Pinion Gear
0806	Screw	6768	Spacer	9051	Bearing Spacer
0848	Washer	7181	Worm Bushing	9236	Screw
1008	Handle Lock Washer	7182	Idle Gear	9244	Bail Spring Cover Guard
2109	Drag Washer	7186	Anti-Reverse Cam Spring	9347	Main Shaft
2298	Spacer	7188	Drive Gear	10053	Oscillating Slider
2309	Screw	7189	Clutch Pawl	10054	Oscillating Guide
2549	Oscillating Slider Retainer	7190	Clutch Plate Assembly	10055	Oscillating Guide Holder
2605	Clutch Pawl Spring	7191	BaitRunner Click Spring	10750	Bearing Spacer
2610	Clutch Spring	7197	Clutch Shaft Spring	10751	Line Roller Washer
2611	BaitRunner Lever Shaft	7198	Dial Click Spring	10876	Drag Shaft
2613	Lock Washer	7199	Dial Click Shoe	10877	Line Roller Spacer
2620	Screw Collar	7200	Drag Washer	11145	Clutch Shaft
2621	BaitRunner Clutch	7201	Click Gear	11146	Washer
2624	Drag Washer	7202	Eared Washer	11166	Spacer
2630	Free Spool Tension Shaft	7204	Lock Washer	11334	Push Button Collar
2631	Drag Washer	7207	Dial Spacer	11336	Ball Bearing
2633	Drag Washer	7208	Spacer	11344	Trip Lever Washer
2635	Key Washer	7209	Drag Washer	11345	Side Cover Flange
2852	Handle Screw Lock	7210	Pressure Screw	11347	Double Paddle Handle Assembly
3282	Screw	7211	Dial Washer	11348	BaitRunner Lever Arm L
3309	Screw	7213	Dial Retainer Ring	11349	BaitRunner Lever Bridge
3402	Screw	7217	Bail Spring	11350	BaitRunner Lever Arm R
4049	Washer	7220	Bail Trip Lever	11352	Drag Knob
4325	Oscillating Pawl	7223	Lever Spring	11354	Bail Spring Cover
4416	Screw	7226	Worm Shaft	11355	Bail Arm
4628	Screw	7290	Push Button	11356	Rotor
4649	Spacer	7400	Anti-Reverse Cam	11357	Bail Assembly
4661	Anti-Reverse Cam Ring	7402	Oscillating Slider Bushing	11358	Guard Ring
5823	Lever Spring Guide A	7404	Screw	11361	Spool Assembly
5825	Lever Spring Guide B	7405	BaitRunner Tension Dial	11362	Side Cover
5859	Spacer	7410	Handle Screw Cap	11363	Body
5909	Line Roller Bushing	7416	Screw	16387	Roller Clutch Assembly
5910	Line Roller	7417	Screw	17637	Screw
5996	Locking Spring	7418	Screw		
6379	Screw	7419	Screw		