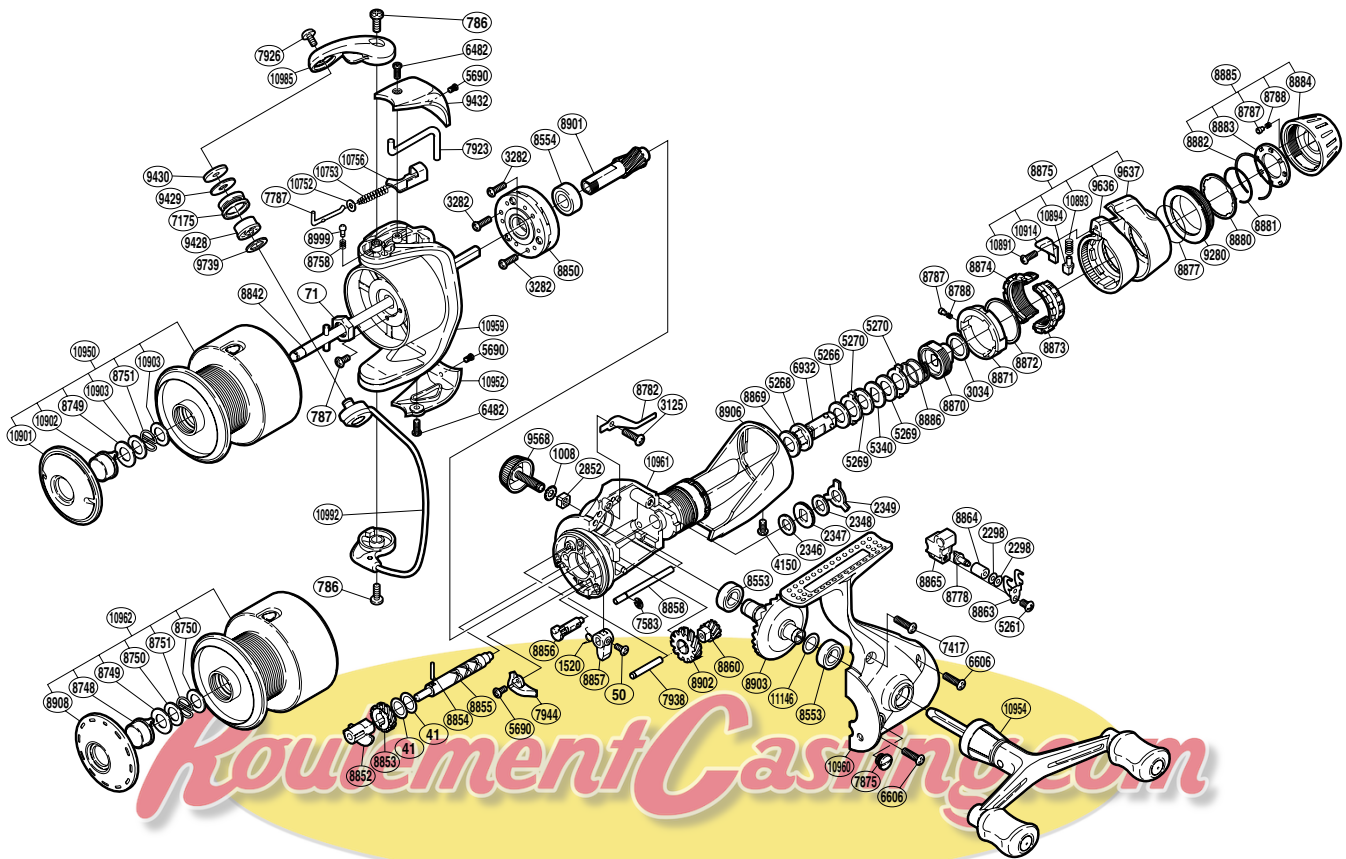


SHIMANO

SUPER

SUP-4000GTMRB



(1SG474002G)

| Part No. | Description | Part No. | Description | Part No. | Description |
|----------|-------------------------|----------|--------------------------------|----------|-------------------------------|
| RD 0041 | Washer | RD 8554 | Ball Bearing | RD 8902 | Idle Gear B (large) |
| RD 0050 | Screw | RD 8749 | Washer | RD 8903 | Drive Gear |
| RD 0071 | Rotor Nut | RD 8751 | Locking Spring | RD 8906 | Rear Protector |
| RD 0786 | Screw | RD 8758 | Click Spring | RD 8999 | Click Pin |
| RD 0787 | Screw | RD 8778 | Oscillating Pawl | RD 9280 | Drag Programmer B |
| RD 1008 | Lock Washer | RD 8782 | Drag Click | RD 9428 | Line Roller Bushing |
| RD 1520 | Anti-Reverse Cam Spring | RD 8787 | Click Pin | RD 9429 | Line Roller Spacer |
| RD 2298 | Spacer | RD 8788 | Click Spring | RD 9430 | Line Roller Washer |
| RD 2346 | Drag Washer | RD 8842 | Main Shaft | RD 9432 | Bail Spring Cover |
| RD 2347 | Click Gear | RD 8850 | Roller Clutch Assembly | RD 9568 | Handle Screw Cap |
| RD 2348 | Drag Washer | RD 8852 | Worm Bushing | RD 9636 | Fightin' Lever Inner A |
| RD 2349 | Eared Washer | RD 8853 | Idle Gear | RD 9637 | Fightin' Lever Outer |
| RD 2852 | Handle Screw Lock | RD 8854 | Worm Shaft Pin | RD 9739 | Bearing Spacer |
| RD 3034 | Spacer | RD 8855 | Worm Shaft | RD10752 | Spring Guide A Support |
| RD 3125 | Screw | RD 8856 | Anti-Reverse Cam | RD10753 | Bail Spring |
| RD 3282 | Screw | RD 8857 | Anti-Reverse Lever | RD10756 | Bail Spring Seat |
| RD 4150 | Screw | RD 8858 | Oscillating Guide | RD10891 | Screw |
| RD 5261 | Screw | RD 8860 | Idle Gear B (small) | RD10893 | Position Pin Spring |
| RD 5266 | Drag Washer | RD 8863 | Oscillating Slider Retainer | RD10894 | Lever Position Pin |
| RD 5268 | Drag Shaft B | RD 8864 | Oscillating Slider Bushing | RD10901 | Push Button Collar |
| RD 5269 | Drag Washer | RD 8865 | Oscillating Slider | RD10902 | Push Button |
| RD 5270 | Eared Washer | RD 8869 | Drag Washer | RD10903 | Washer |
| RD 5340 | Key Washer | RD 8870 | Pressure Screw | RD10914 | Fightin' Lever Inner B |
| RD 5690 | Screw | RD 8871 | Lever Click Gear | RD10950 | Spool Assembly |
| RD 6482 | Screw | RD 8872 | Fightin' Pressure Screw Washer | RD10952 | Bail Hold Support Guard |
| RD 6606 | Screw | RD 8873 | Fightin' Pressure Screw | RD10954 | Double Paddle Handle Assembly |
| RD 6932 | Drag Shaft A | RD 8874 | Fightin' Pressure Screw B | RD10959 | Rotor |
| RD 7175 | Line Roller | RD 8875 | Fightin' Lever Assembly | RD10960 | Side Cover |
| RD 7417 | Screw | RD 8877 | Drag Knob Friction Ring | RD10961 | Body |
| RD 7583 | E Lock | RD 8880 | Drag Knob Washer | RD10985 | Bail Arm |
| RD 7787 | Bail Spring Guide A | RD 8881 | Drag Knob Retainer | RD10992 | Bail Assembly |
| RD 7875 | Oil Cap | RD 8882 | Click Plate Retainer | RD11146 | Washer |
| RD 7923 | Bail Trip Lever | RD 8883 | Click Plate | | |
| RD 7926 | Screw | RD 8884 | Drag Programmer A | RD 8908 | Push Button Collar |
| RD 7938 | Idle Gear B Shaft | RD 8885 | Drag Programmer Assembly | RD 8748 | Push Button |
| RD 7944 | Bail Trip Strike | RD 8886 | Drag Coil Spring | RD 8750 | Washer |
| RD 8553 | Ball Bearing | RD 8901 | Pinion Gear | RD10962 | Spare Spool Assembly |

(181220)