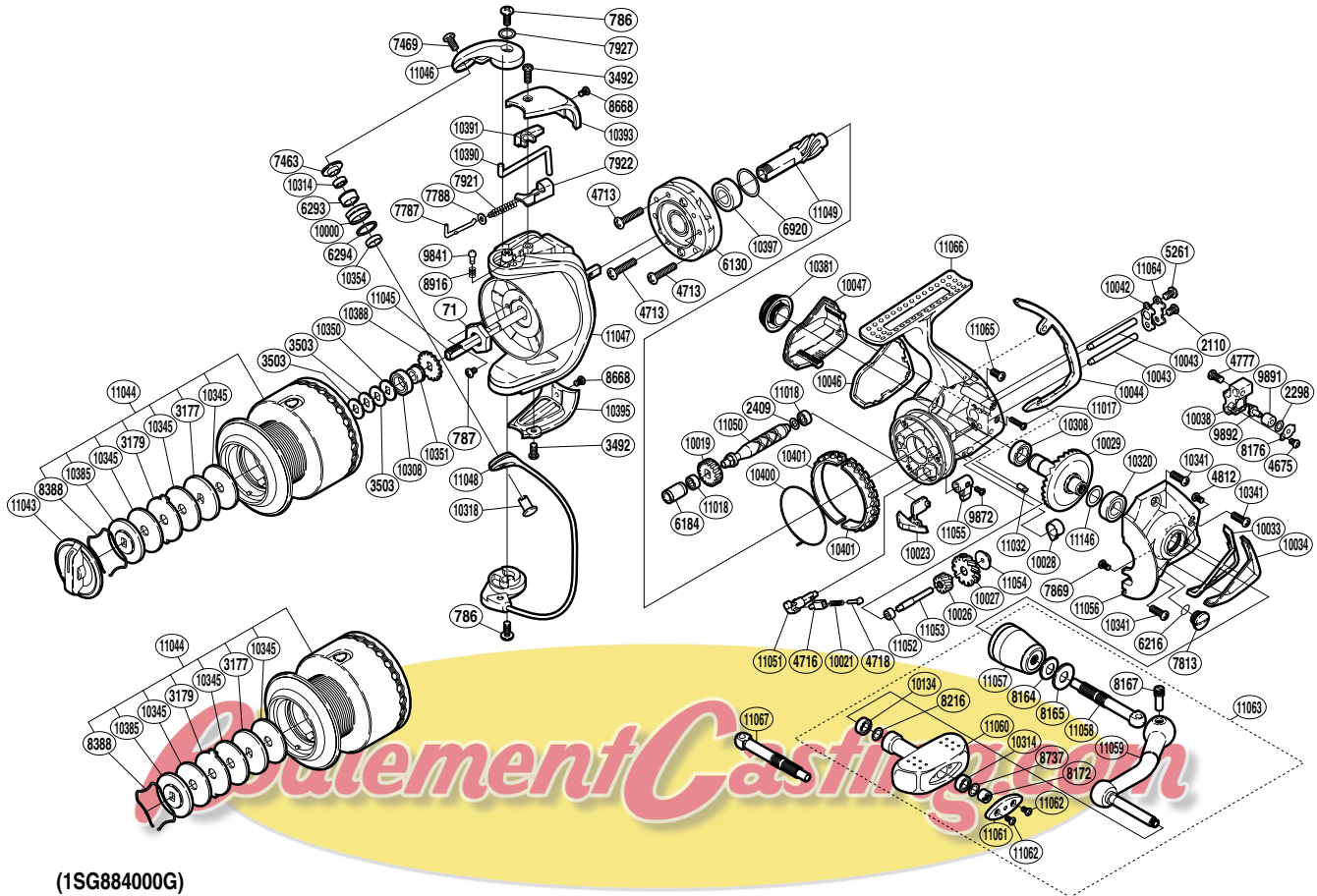


SHIMANO

ASPIRE SA-RB

AS-4000FA



(1SG88400G)

Part No.	Description	Part No.	Description	Part No.	Description
RD 0071	Rotor Nut	RD 8216	Washer	RD10390	Bail Trip Lever
RD 0786	Screw	RD 8388	Drag Washers Retainer	RD10391	Bail Trip Cover
RD 0787	Screw	RD 8668	Screw	RD10393	Bail Spring Cover
RD 2110	Screw	RD 8737	Washer	RD10395	Bail Hold Support Guard
RD 2298	Spacer	RD 8916	Click Spring	RD10397	Ball Bearing
RD 2409	Spacer	RD 9841	Click Pin	RD10400	Friction Spring
RD 3177	Key Washer	RD 9872	Screw	RD10401	Friction Ring
RD 3179	Eared Washer	RD 9891	Oscillating Slider Bushing	RD11017	Screw
RD 3492	Screw	RD 9892	Oscillating Pawl	RD11018	Ball Bearing
RD 3503	Spool Washer	RD10000	Line Roller	RD11032	Rear Protector B Pin
RD 4675	Screw	RD10019	Idle Gear	RD11043	Drag Knob
RD 4713	Screw	RD10021	Anti-Reverse Cam Spring	RD11044	Spool Assembly
RD 4716	Lever Spring Guide B	RD10023	Bail Trip Strike	RD11045	Main Shaft
RD 4718	Lever Spring Guide A	RD10026	Idle Gear B (small)	RD11046	Bail Arm
RD 4777	Screw	RD10027	Idle Gear B (large)	RD11047	Rotor
RD 4812	Screw	RD10028	Bushing	RD11048	Bail Assembly
RD 5261	Screw	RD10029	Drive Gear	RD11049	Pinion Gear
RD 6130	Roller Clutch Assembly	RD10033	Cover (for side cover)	RD11050	Worm Shaft
RD 6184	Worm Bushing	RD10034	Side Cover Guard	RD11051	Anti-Reverse Cam
RD 6216	O Ring	RD10038	Oscillating Slider	RD11052	Idle Gear B Shaft Bushing
RD 6293	Line Roller Bushing	RD10042	Worm Shaft Retainer Washer	RD11053	Idle Gear B Shaft
RD 6294	Line Roller Spacer	RD10043	Oscillating Guide	RD11054	Idle Gear B Shaft Bushing B
RD 6920	Spacer	RD10044	Rear Protector B	RD11055	Anti-Reverse Lever
RD 7463	Line Roller Washer	RD10046	Rear Shield	RD11056	Side Cover
RD 7469	Screw	RD10047	Rear Protector A	RD11057	Handle Shaft Cover
RD 7787	Bail Spring Guide A	RD10308	Ball Bearing	RD11058	Handle Shaft (left)
RD 7788	Spring Guide A Support	RD10314	Ball Bearing	RD11059	Handle Shank Assembly
RD 7813	Oil Cap	RD10318	Line Roller Support	RD11060	Handle Knob
RD 7869	Screw	RD10320	Ball Bearing	RD11061	Handle Knob I.D. Plate
RD 7921	Bail Spring	RD10341	Screw	RD11062	Screw
RD 7922	Bail Spring Seat	RD10345	Drag Washer	RD11063	Handle Assembly
RD 7927	Washer	RD10350	Spool Support B	RD11064	Worm Shaft Retainer
RD 8164	Coned Disc Spring	RD10351	Bearing Bushing	RD11065	Screw
RD 8165	Large Handle Shank Washer	RD10354	Bearing Spacer	RD11066	Body
RD 8167	Handle Shaft Screw	RD10381	Handle Screw Cap	RD11146	Washer
RD 8172	Handle Knob Nut	RD10385	Key Washer		
RD 8176	Oscillating Pawl Cover	RD10388	Spool Support	RD11067	Handle Shaft (right)

(190419)