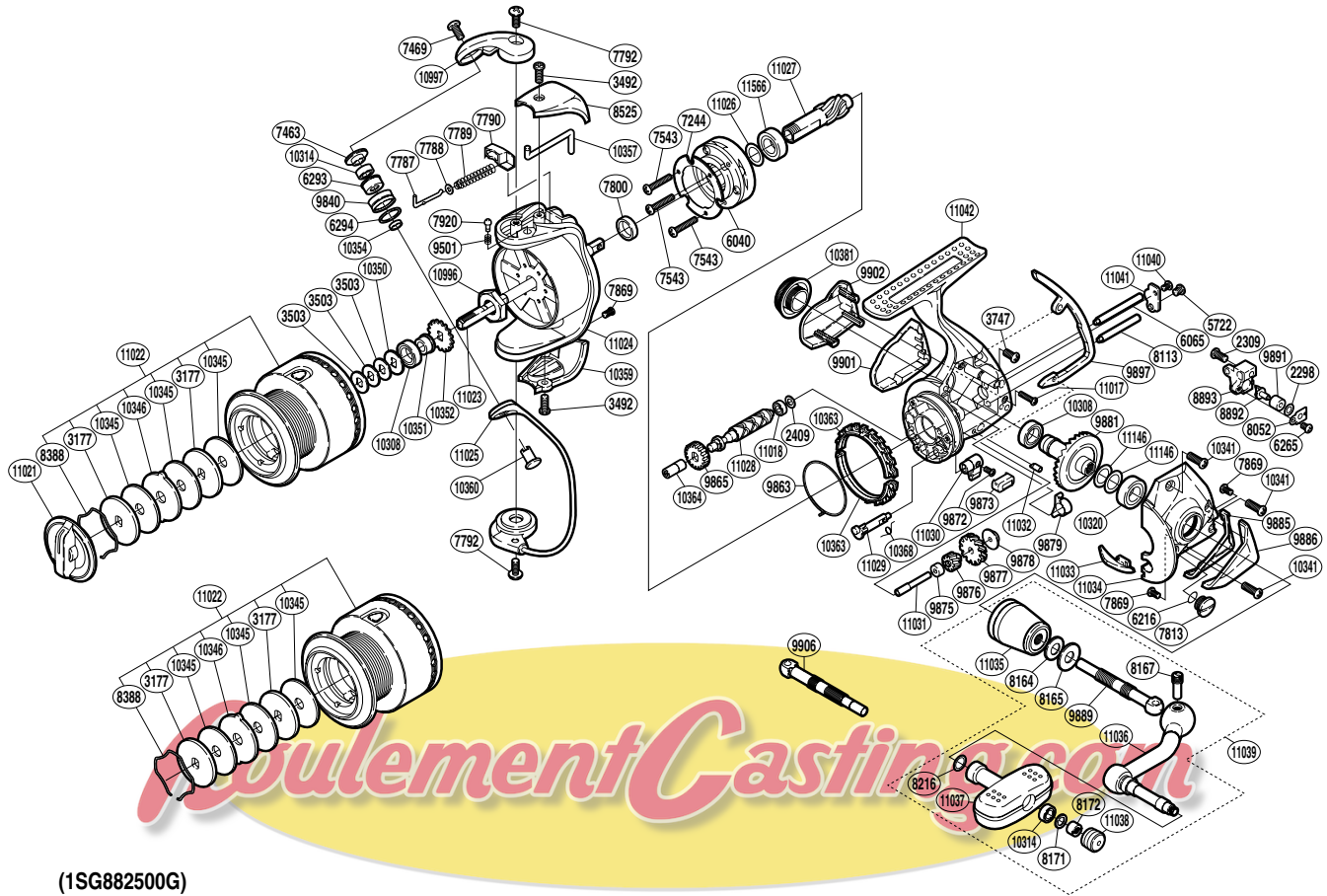


SHIMANO

ASPIRE SA-RB

AS-2500FA



(1SG882500G)

Part No.	Description	Part No.	Description	Part No.	Description
RD 2298	Spacer	RD 8388	Drag Washers Retainer	RD10360	Line Roller Support
RD 2309	Screw	RD 8525	Bail Spring Cover	RD10363	Friction Ring
RD 2409	Spacer	RD 9501	Click Spring	RD10364	Worm Bushing (front)
RD 3177	Key Washer	RD 9840	Line Roller	RD10368	Anti-Reverse Cam Spring
RD 3492	Screw	RD 9863	Friction Spring	RD10381	Handle Screw Cap
RD 3503	Spool Washer	RD 9865	Idle Gear	RD10996	Rotor Nut
RD 3747	Screw	RD 9872	Screw	RD10997	Bail Arm
RD 5722	Screw	RD 9873	Anti-Reverse Lever Cover	RD11017	Screw
RD 6040	Roller Clutch Assembly	RD 9875	Idle Gear B Shaft Bushing	RD11018	Ball Bearing
RD 6065	Oscillating Guide	RD 9876	Idle Gear B (small)	RD11021	Drag Knob
RD 6216	O Ring	RD 9877	Idle Gear B (large)	RD11022	Spool Assembly
RD 6265	Screw	RD 9878	Idle Gear B Shaft Bushing B	RD11023	Main Shaft
RD 6293	Line Roller Bushing	RD 9879	Bushing	RD11024	Rotor
RD 6294	Line Roller Spacer	RD 9881	Drive Gear	RD11025	Bail Assembly
RD 7244	Roller Clutch Reinforce	RD 9885	Cover (for side cover)	RD11026	Washer
RD 7463	Line Roller Washer	RD 9886	Side Cover Guard	RD11027	Pinion Gear
RD 7469	Screw	RD 9889	Handle Shaft (left)	RD11028	Worm Shaft
RD 7543	Screw	RD 9891	Oscillating Slider Bushing	RD11029	Anti-Reverse Cam
RD 7787	Bail Spring Guide A	RD 9892	Oscillating Pawl	RD11030	Anti-Reverse Lever
RD 7788	Spring Guide A Support	RD 9893	Oscillating Slider	RD11031	Idle Gear B Shaft
RD 7789	Bail Spring	RD 9897	Rear Protector B	RD11032	Rear Protector B Pin
RD 7790	Bail Spring Seat	RD 9901	Rear Shield	RD11033	Bail Trip Strike
RD 7792	Screw	RD 9902	Rear Protector A	RD11034	Side Cover
RD 7800	Rotor Ring	RD10308	Ball Bearing	RD11035	Handle Shaft Cover
RD 7813	Oil Cap	RD10314	Ball Bearing	RD11036	Handle Shank Assembly
RD 7869	Screw	RD10320	Ball Bearing	RD11037	Handle Knob
RD 7920	Click Pin	RD10341	Screw	RD11038	Handle Knob Seal
RD 8052	Oscillating Pawl Cover	RD10345	Drag Washer	RD11039	Handle Assembly
RD 8113	Oscillating Guide	RD10346	Eared Washer	RD11040	Screw
RD 8164	Coned Disc Spring	RD10350	Spool Support B	RD11041	Worm Shaft Retainer
RD 8165	Large Handle Shank Washer	RD10351	Bearing Bushing	RD11042	Body
RD 8167	Handle Shaft Screw	RD10352	Spool Support	RD11146	Washer
RD 8171	Washer	RD10354	Bearing Spacer	RD11566	Ball Bearing
RD 8172	Handle Knob Nut	RD10357	Bail Trip Lever		
RD 8216	Washer	RD10359	Bail Hold Support Guard	RD 9906	Handle Shaft (right)

(210305)