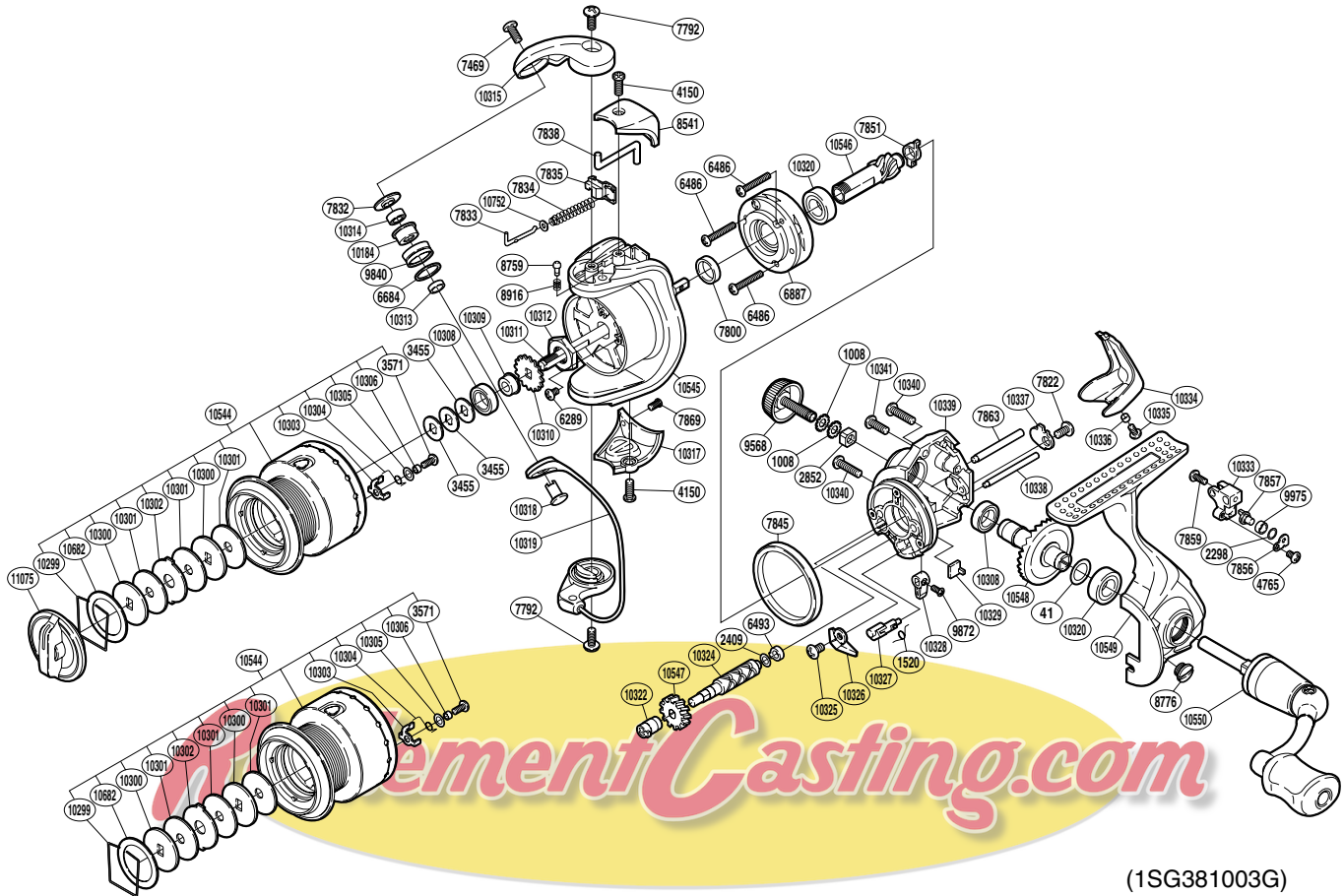


SHIMANO

TWIN POWER SA-RB

TP-1000FB



(1SG381003G)

Part No.	Description	Part No.	Description	Part No.	Description
RD 0041	Washer	RD 7863	Oscillating Guide A	RD10319	Bail Assembly
RD 1008	Handle Lock Washer	RD 7869	Screw	RD10320	Ball Bearing
RD 1520	Anti-Reverse Cam Spring	RD 8541	Bail Spring Cover	RD10322	Worm Bushing (front)
RD 2298	Spacer	RD 8759	Click Pin	RD10324	Worm Shaft
RD 2409	Spacer	RD 8776	Oil Cap	RD10325	Screw
RD 2852	Handle Screw Lock	RD 8916	Click Spring	RD10326	Bail Trip Strike
RD 3455	Spool Washer	RD 9568	Handle Screw Cap	RD10327	Anti-Reverse Cam
RD 3571	Screw	RD 9840	Line Roller	RD10328	Anti-Reverse Lever
RD 4150	Screw	RD 9872	Screw	RD10329	Anti-Reverse Lever Cover
RD 4675	Screw	RD 9975	Oscillating Slider Bushing	RD10333	Oscillating Slider
RD 6289	Screw	RD10184	Line Roller Bushing	RD10334	Rear Protector
RD 6486	Screw	RD10299	Drag Washers Retainer	RD10335	Screw
RD 6493	Worm Bushing (rear)	RD10300	Key Washer	RD10336	Rear Protector Collar
RD 6684	Line Roller Spacer	RD10301	Drag Washer	RD10337	Worm Shaft Retainer
RD 6887	Roller Clutch Assembly	RD10302	Eared Washer	RD10338	Oscillating Guide B
RD 7469	Screw	RD10303	Drag Click	RD10339	Body
RD 7792	Screw	RD10304	Drag Click Spring	RD10340	Screw
RD 7800	Rotor Ring	RD10305	Washer	RD10341	Screw
RD 7822	Screw	RD10306	Drag Click Collar	RD10544	Spool Assembly
RD 7832	Line Roller Washer	RD10308	Ball Bearing	RD10545	Rotor
RD 7833	Bail Spring Guide A	RD10309	Bearing Bushing	RD10546	Pinion Gear
RD 7834	Bail Spring	RD10310	Spool Support	RD10547	Idle Gear
RD 7835	Bail Spring Seat	RD10311	Main Shaft	RD10548	Drive Gear
RD 7838	Bail Trip Lever	RD10312	Rotor Nut	RD10549	Side Cover
RD 7845	Friction Ring	RD10313	Bearing Spacer	RD10550	Handle Assembly
RD 7851	Bushing	RD10314	Ball Bearing	RD10682	Retainer Washer
RD 7856	Oscillating Pawl Cover	RD10315	Bail Arm	RD10752	Spring Guide A Support
RD 7857	Oscillating Pawl	RD10317	Bail Hold Support Guard	RD11075	Drag Knob
RD 7859	Screw	RD10318	Line Roller Support		

(190115)