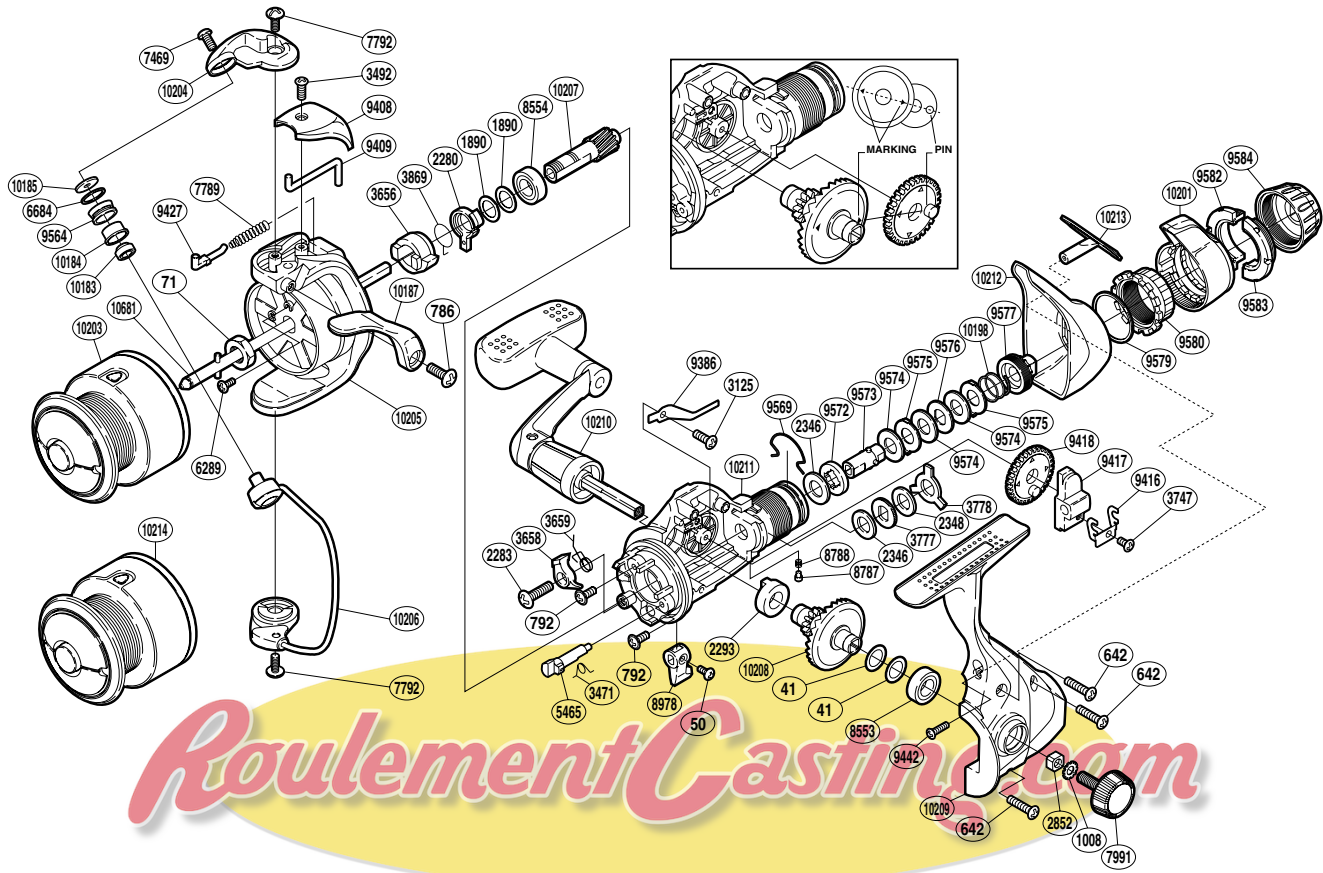


SHIMANO®

SOLSTACE

SO-2500RH



(1SE492507U)

Part No.	Description	Part No.	Description	Part No.	Description
RD 0041	Washer	RD 6684	Line Roller Spacer	RD 9579	Fightin' Pressure Screw Washer
RD 0050	Screw	RD 7469	Screw	RD 9580	Fightin' Pressure Screw
RD 0071	Rotor Nut	RD 7789	Bail Spring	RD 9582	Drag Programmer B1
RD 0642	Screw	RD 7792	Screw	RD 9583	Drag Programmer B2
RD 0786	Screw	RD 7991	Handle Screw Cap	RD 9584	Drag Programmer A
RD 0792	Screw	RD 8553	Ball Bearing	RD10183	Ball Bearing
RD 1008	Handle Lock Washer	RD 8554	Ball Bearing	RD10184	Line Roller Bushing
RD 1890	Washer	RD 8787	Click Pin	RD10185	Line Roller Washer
RD 2280	Anti-Reverse Lock Out	RD 8788	Click Spring	RD10187	Quick-Fire II Trigger
RD 2283	Screw	RD 8978	Anti-Reverse Lever	RD10198	Drag Coil Spring
RD 2293	Drive Gear Bushing	RD 9386	Drag Click	RD10201	Fightin' Lever
RD 2346	Drag Washer	RD 9408	Bail Spring Cover	RD10203	Spool Assembly
RD 2348	Drag Washer	RD 9409	Bail Trip Lever	RD10204	Bail Arm
RD 2852	Handle Screw Lock	RD 9416	Oscillating Slider Retainer	RD10205	Rotor
RD 3125	Screw	RD 9417	Oscillating Slider	RD10206	Bail Assembly
RD 3471	Anti-Reverse Cam Spring	RD 9418	Oscillating Gear	RD10207	Pinion Gear
RD 3492	Screw	RD 9427	Bail Spring Guide	RD10208	Drive Gear
RD 3656	Anti-Reverse Ratchet	RD 9442	Screw	RD10209	Side Cover
RD 3658	Anti-Reverse Pawl	RD 9564	Line Roller	RD10210	Handle Assembly
RD 3659	Anti-Reverse Pawl Spring	RD 9569	Hold Click Spring	RD10211	Body
RD 3747	Screw	RD 9572	Drag Shaft B	RD10212	Rear Protector B
RD 3777	Click Gear	RD 9573	Drag Shaft A	RD10213	Rear Protector A
RD 3778	Eared Washer	RD 9574	Drag Washer	RD10681	Main Shaft
RD 3869	Anti-Reverse Lock Out Spring	RD 9575	Eared Washer		
RD 5465	Anti-Reverse Cam	RD 9576	Key Washer		
RD 6289	Screw	RD 9577	Pressure Screw	RD10214	Spare Spool Assembly

(180705)