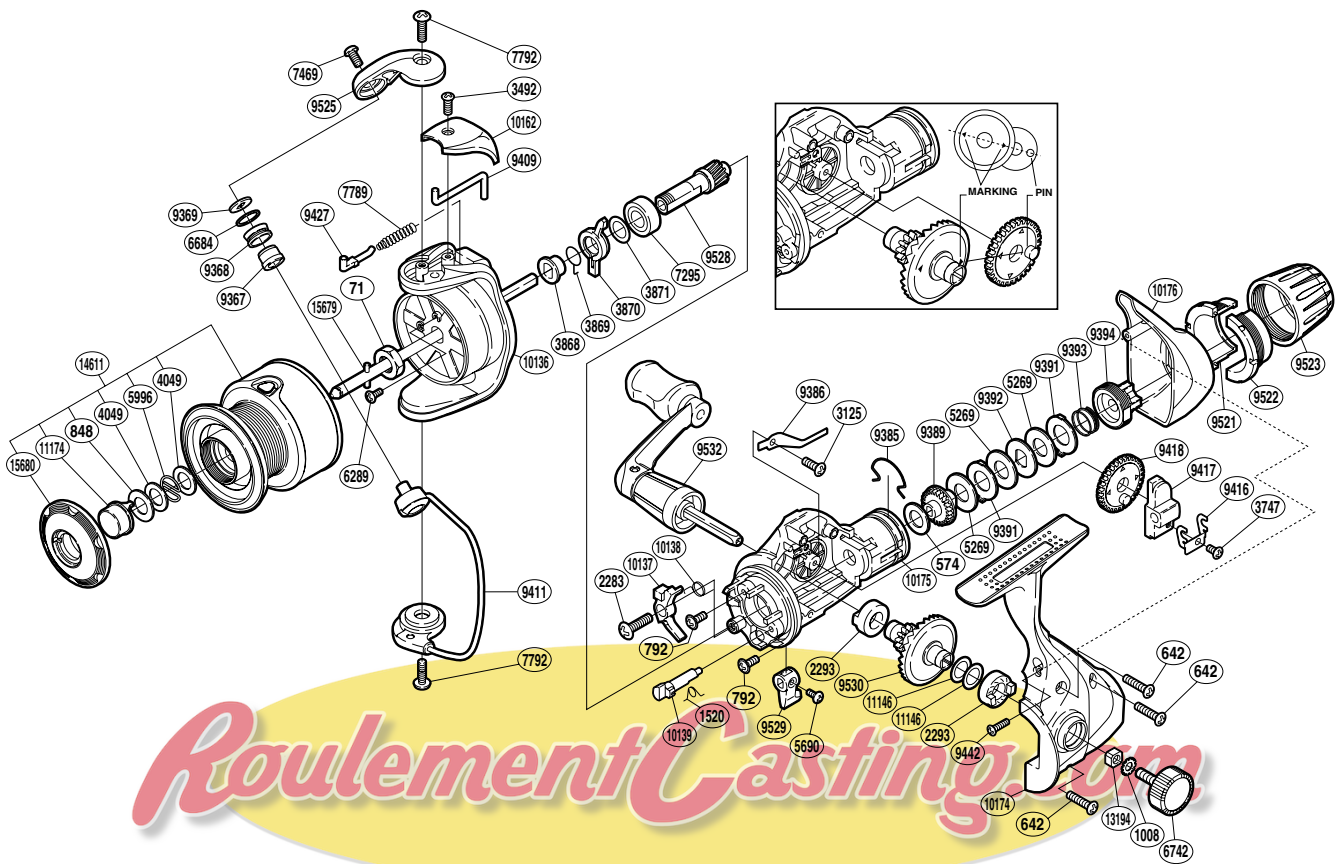


# SHIMANO

## HYPERLOOP

## HL-2500RB



*RoulementCasting.com*

(1SG582502G)

Part No.	Description	Part No.	Description	Part No.	Description
RD 0071	Rotor Nut	RD 6742	Handle Screw Cap	RD 9521	Drag Programmer B1
RD 0574	Drag Washer	RD 7295	Ball Bearing	RD 9522	Drag Programmer B2
RD 0642	Screw	RD 7469	Screw	RD 9523	Drag Programmer A
RD 0792	Screw	RD 7789	Bail Spring	RD 9525	Bail Arm
RD 0848	Washer	RD 7792	Screw	RD 9528	Pinion Gear
RD 1008	Handle Lock Washer	RD 9367	Line Roller Bushing	RD 9529	Anti-Reverse Lever
RD 1520	Anti-Reverse Cam Spring	RD 9368	Line Roller	RD 9530	Drive Gear
RD 2283	Screw	RD 9369	Line Roller Washer	RD 9532	Handle Assembly
RD 2293	Drive Gear Bushing	RD 9385	Hold Click Spring	RD10136	Rotor
RD 3125	Screw	RD 9386	Drag Click	RD10137	Anti-Reverse Pawl
RD 3492	Screw	RD 9389	Drag Shaft	RD10138	Anti-Reverse Pawl Spring
RD 3747	Screw	RD 9391	Eared Washer	RD10139	Anti-Reverse Cam
RD 3868	Lock Out Spring Holder	RD 9392	Key Washer	RD10162	Bail Spring Cover
RD 3869	Anti-Reverse Lock Out Spring	RD 9393	Drag Coil Spring	RD10174	Side Cover
RD 3870	Anti-Reverse Lock Out	RD 9394	Pressure Screw	RD10175	Body
RD 3871	Washer	RD 9409	Bail Trip Lever	RD10176	Rear Protector
RD 4049	Washer	RD 9411	Bail Assembly	RD11146	Washer
RD 5269	Drag Washer	RD 9416	Oscillating Slider Retainer	RD11174	Push Button
RD 5690	Screw	RD 9417	Oscillating Slider	RD13194	Handle Screw Lock
RD 5996	Washer	RD 9418	Oscillating Gear	RD14611	Spool Assembly
RD 6289	Screw	RD 9427	Bail Spring Guide	RD15679	Main Shaft
RD 6684	Line Roller Spacer	RD 9442	Screw	RD15680	Push Button Collar