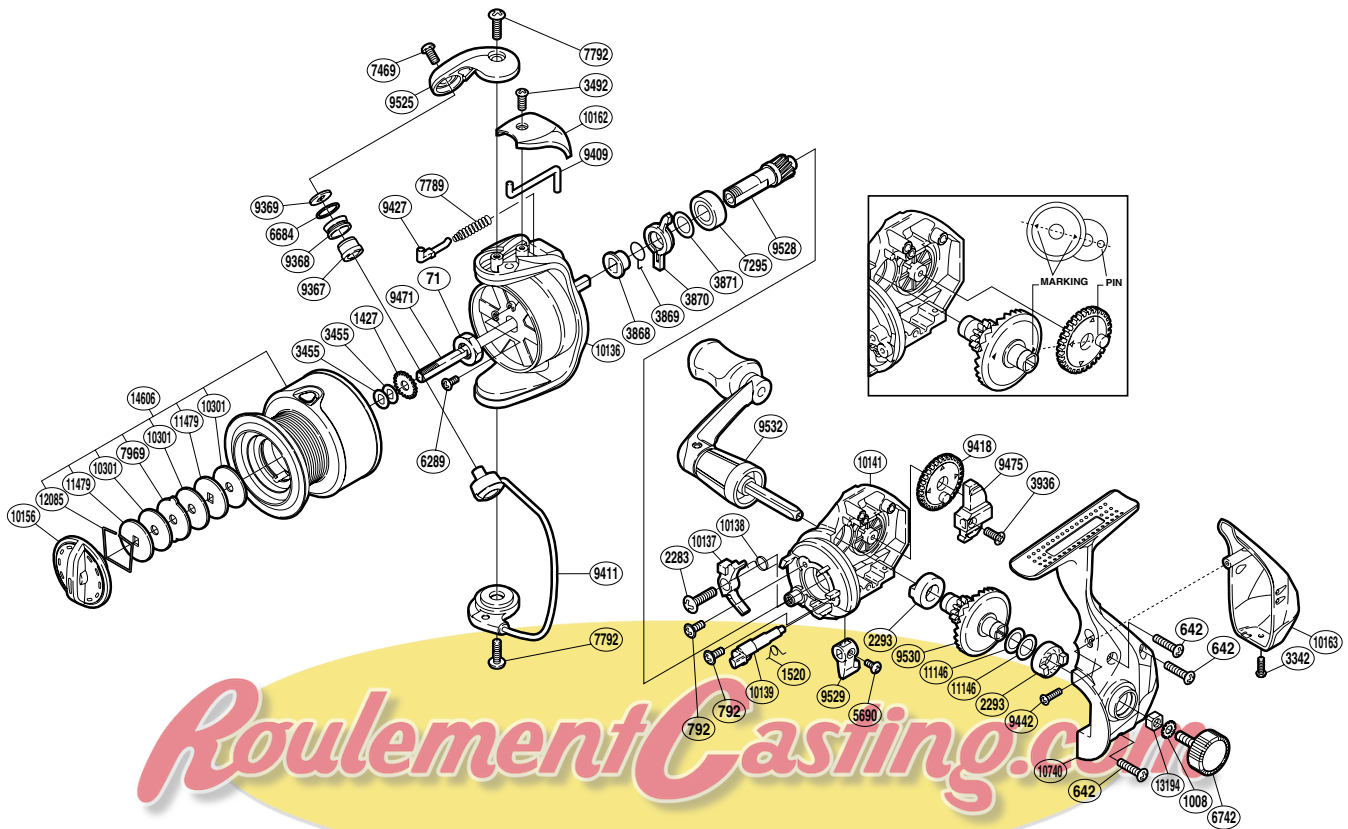


SHIMANO

HYPERLOOP

HL-2500FB



(1SG692502G)

Part No.	Description	Part No.	Description	Part No.	Description
RD 0071	Rotor Nut	RD 6742	Handle Screw Cap	RD 9530	Drive Gear
RD 0642	Screw	RD 7295	Ball Bearing	RD 9532	Handle Assembly
RD 0792	Screw	RD 7469	Screw	RD10136	Rotor
RD 1008	Handle Lock Washer	RD 7789	Bail Spring	RD10137	Anti-Reverse Pawl
RD 1427	Spool Support	RD 7792	Screw	RD10138	Anti-Reverse Pawl Spring
RD 1520	Anti-Reverse Cam Spring	RD 7969	Eared Washer	RD10139	Anti-Reverse Cam
RD 2283	Screw	RD 9367	Line Roller Bushing	RD10141	Body
RD 2293	Drive Gear Bushing	RD 9368	Line Roller	RD10156	Drag Knob
RD 3342	Screw	RD 9369	Line Roller Washer	RD10162	Bail Spring Cover
RD 3455	Spool Washer	RD 9409	Bail Trip Lever	RD10163	Rear Protector
RD 3492	Screw	RD 9411	Bail Assembly	RD10301	Drag Washer
RD 3868	Lock Out Spring Holder	RD 9418	Oscillating Gear	RD10740	Side Cover
RD 3869	Anti-Reverse Lock Out Spring	RD 9427	Bail Spring Guide	RD11146	Washer
RD 3870	Anti-Reverse Lock Out	RD 9442	Screw	RD11479	Key Washer
RD 3871	Washer	RD 9471	Main Shaft	RD12085	Drag Washers Retainer
RD 3936	Screw	RD 9475	Oscillating Slider	RD13194	Handle Screw Lock
RD 5690	Screw	RD 9525	Bail Arm	RD14606	Spool Assembly
RD 6289	Screw	RD 9528	Pinion Gear		
RD 6684	Line Roller Spacer	RD 9529	Anti-Reverse Lever		