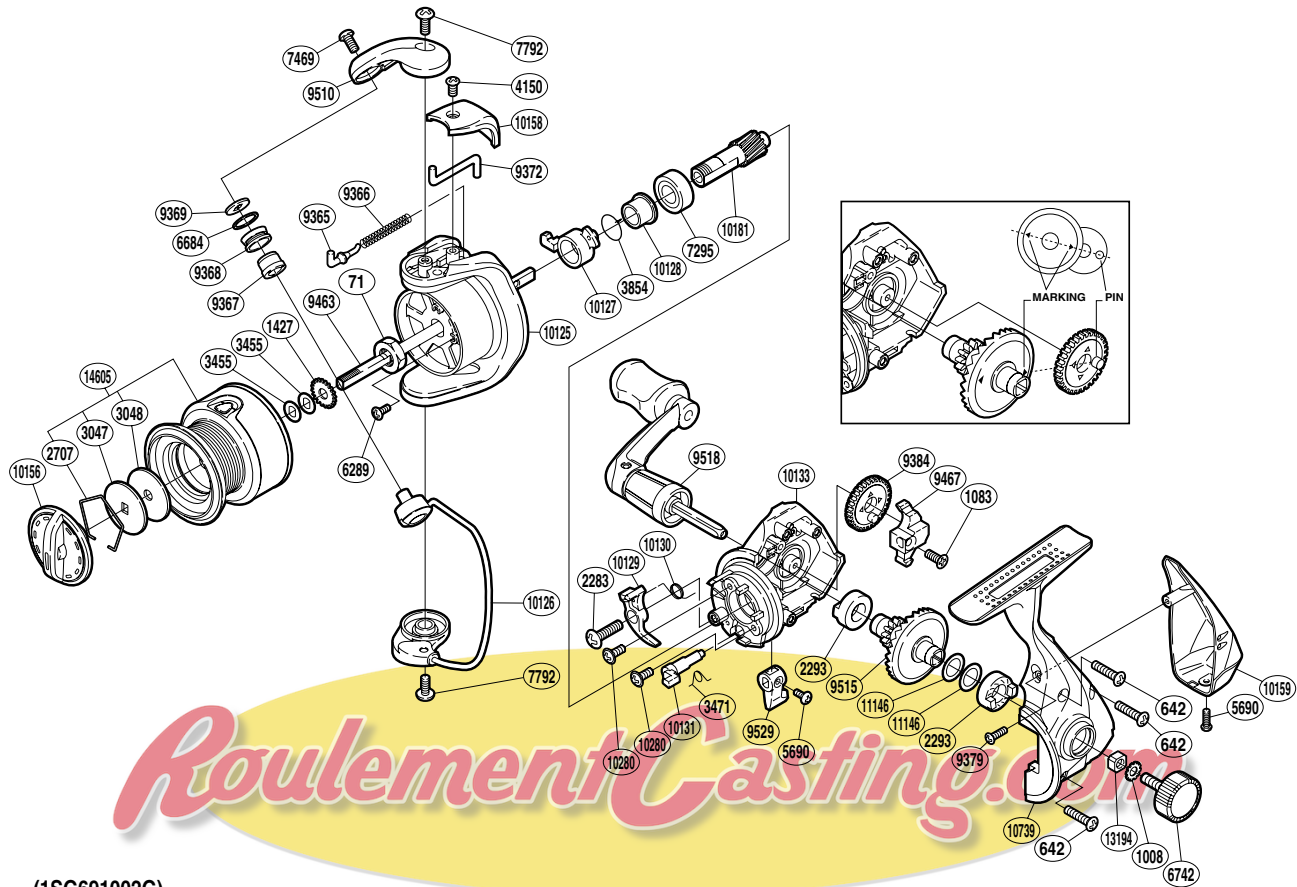


SHIMANO

HYPERLOOP

HL-1000FB



(1SG691002G)

Part No.	Description	Part No.	Description	Part No.	Description
RD 0071	Rotor Nut	RD 7295	Ball Bearing	RD10126	Bail Assembly
RD 0642	Screw	RD 7469	Screw	RD10127	Anti-Reverse Lock Out
RD 1008	Handle Lock Washer	RD 7792	Screw	RD10128	Lock Out Spring Holder
RD 1083	Screw	RD 9365	Bail Spring Guide	RD10129	Anti-Reverse Pawl
RD 1427	Spool Support	RD 9366	Bail Spring	RD10130	Anti-Reverse Pawl Spring
RD 2283	Screw	RD 9367	Line Roller Bushing	RD10131	Anti-Reverse Cam
RD 2293	Drive Gear Bushing	RD 9368	Line Roller	RD10133	Body
RD 2707	Drag Washers Retainer	RD 9369	Line Roller Washer	RD10156	Drag Knob
RD 3047	Key Washer	RD 9372	Bail Trip Lever	RD10158	Bail Spring Cover
RD 3048	Drag Washer	RD 9379	Screw	RD10159	Rear Protector
RD 3455	Spool Washer	RD 9384	Oscillating Gear	RD10181	Pinion Gear
RD 3471	Anti-Reverse Cam Spring	RD 9463	Main Shaft	RD10280	Screw
RD 3854	Anti-Reverse Lock Out Spring	RD 9467	Oscillating Slider	RD10739	Side Cover
RD 4150	Screw	RD 9510	Bail Arm	RD11146	Washer
RD 5690	Screw	RD 9515	Drive Gear	RD13194	Handle Screw Lock
RD 6289	Screw	RD 9518	Handle Assembly	RD14605	Spool Assembly
RD 6684	Line Roller Spacer	RD 9529	Anti-Reverse Lever		
RD 6742	Handle Screw Cap	RD10125	Rotor		