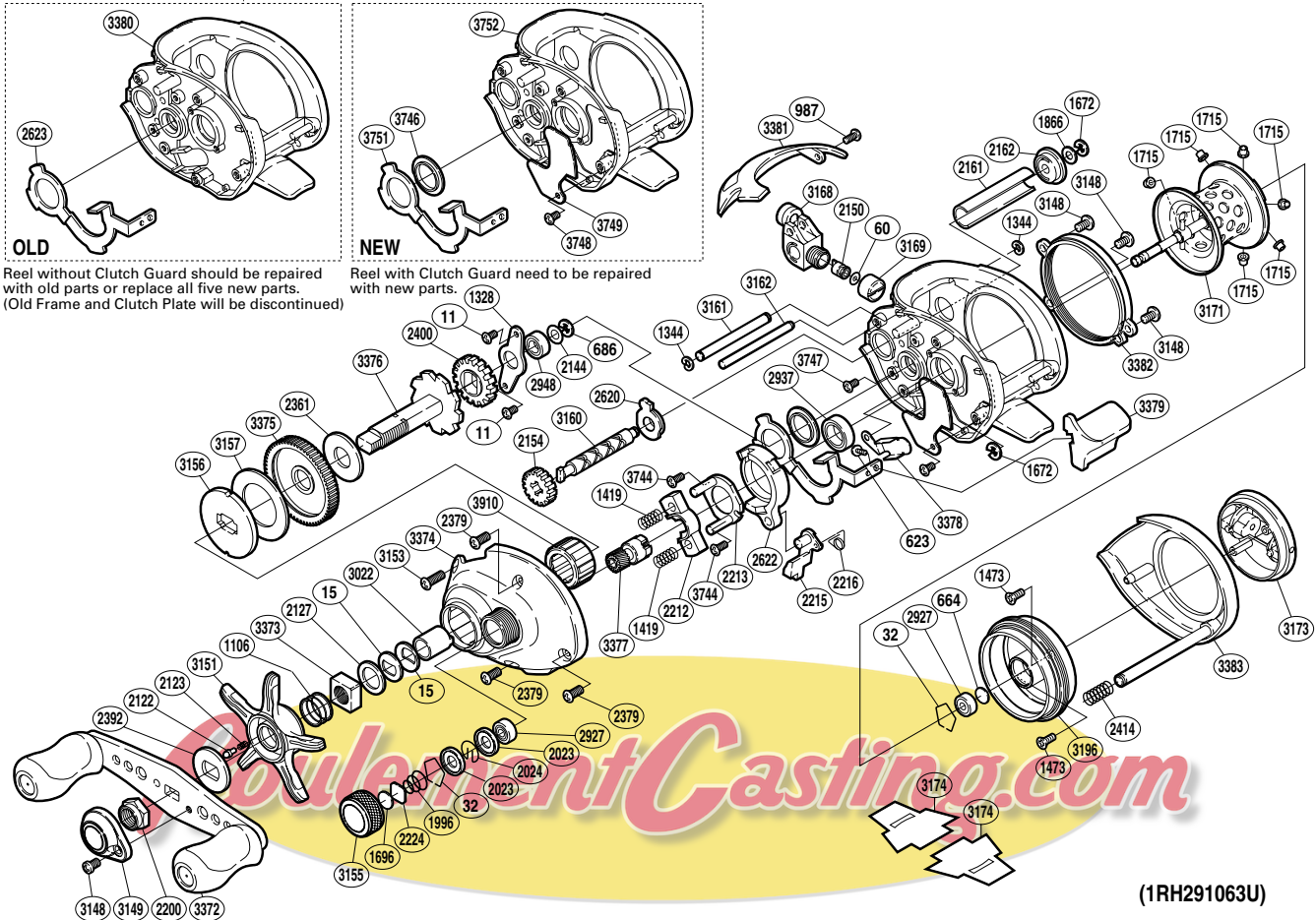


SHIMANO

CHRONARCH

CH-51MG



(1RH291063U)

Part No.	Description	Part No.	Description	Part No.	Description
BNT0011	Screw	BNT2200	Handle Nut	BNT3169	Pawl Cap
BNT0015	Drag Spring Washer	BNT2212	Yoke	BNT3171	Spool Assembly
BNT0032	Bearing Retainer	BNT2213	Clutch Cam Retainer	BNT3173	Turnkey Dial
BNT0060	Spacer	BNT2215	Clutch Pawl	BNT3196	Brake Case
BNT0623	Screw	BNT2216	Clutch Pawl Spring	BNT3372	Handle Assembly
BNT0664	Spacer B	BNT2224	Spool Tension Spacer A	BNT3373	Star Drag Nut
BNT0686	E Lock	BNT2361	Drag Washer A	BNT3374	Left Side Plate
BNT0987	Screw	BNT2379	Screw	BNT3375	Drive Gear
BNT1106	Star Drag Spring	BNT2392	Star Drag Click Plate	BNT3376	Drive Shaft
BNT1328	Drive Shaft Retainer	BNT2400	Idle Gear A	BNT3377	Pinion Gear
BNT1344	C Lock	BNT2414	Side Plate Spring	BNT3378	Clutch Guard
BNT1419	Yoke Spring	BNT2620	Worm Bushing A	BNT3379	Quick-Fire II Clutch Bar
BNT1473	Screw	BNT2622	Clutch Cam	BNT3381	Thumb Rest
BNT1672	E Lock	BNT2927	Ball Bearing	BNT3382	Right Side Frame Plate
BNT1696	Cast Control Spacer B	BNT2937	Ball Bearing	BNT3383	Right Side Plate
BNT1715	Brake Collar (red)	BNT2948	Ball Bearing	BNT3744	Screw
BNT1866	Spacer	BNT3022	Roller Clutch Inner Tube	BNT3746	Clutch Plate Shaft Support
BNT1996	Spool Tension Spring	BNT3148	Screw	BNT3747	Screw
BNT2023	Spool Shaft Clip Holder	BNT3149	Handle Nut Plate	BNT3748	Screw
BNT2024	Spool Shaft Clip	BNT3151	Star Drag	BNT3749	Clutch Guard B
BNT2122	Click Pin	BNT3153	Screw	BNT3751	Clutch Plate
BNT2123	Click Spring	BNT3155	Cast Control Cap	BNT3752	One-Piece Frame
BNT2127	Star Drag Spacer	BNT3156	Key Washer	BNT3910	Roller Clutch Bearing
BNT2144	Washer	BNT3157	Drag Washer C		
BNT2150	Line Guide Pawl	BNT3160	Worm Shaft	BNT2623	Clutch Plate
BNT2154	Idle Gear C	BNT3161	Line Guard	BNT3380	One-Piece Frame
BNT2161	Level Wind Guard	BNT3162	Stabilizer Bar		
BNT2162	Worm Bushing B	BNT3168	Line Guide	BNT3174	Reel Seat Spacer