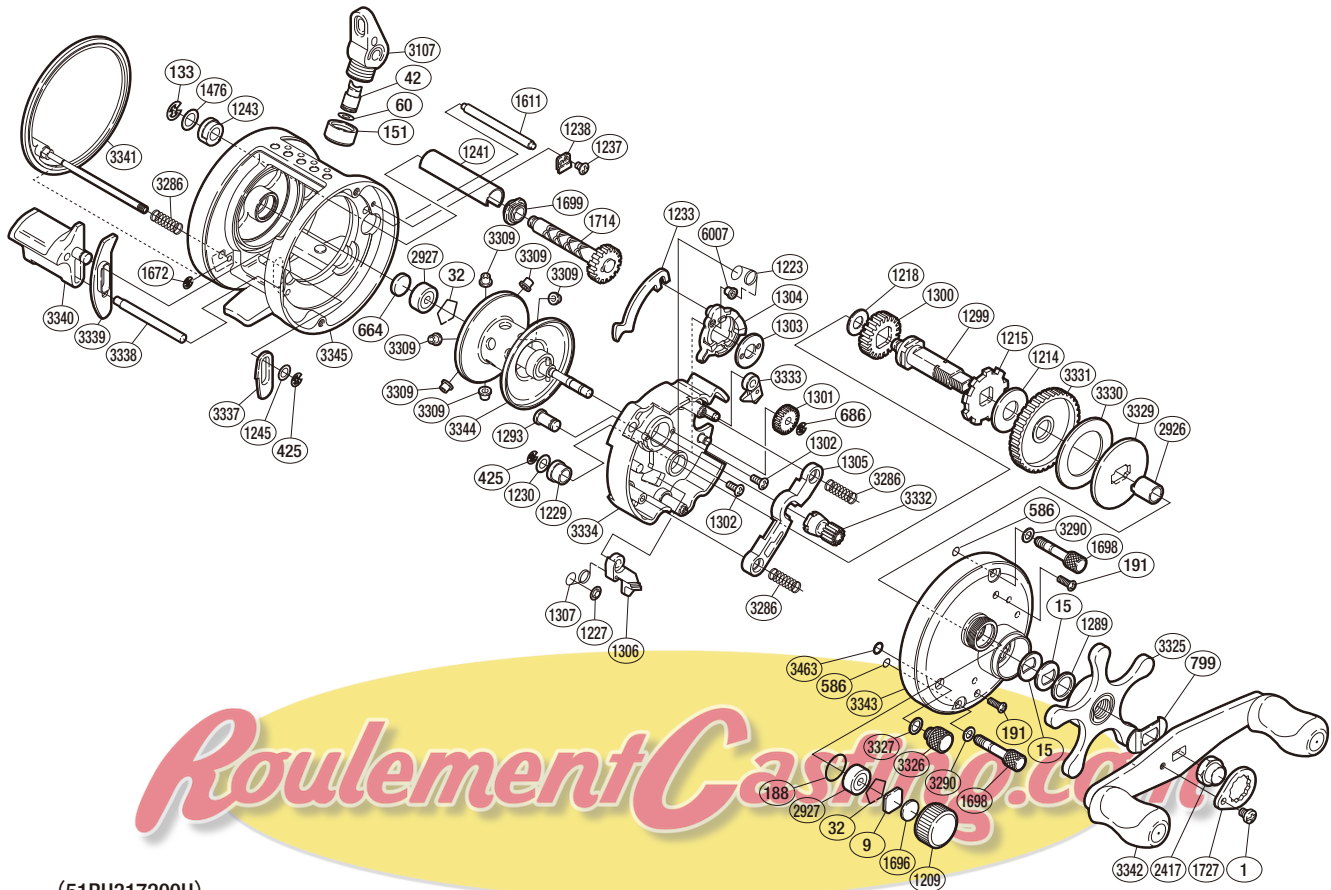


# SHIMANO®

## CALCUTTA A-RB

## CT-200GTB



(51RH317200U)

Part No.	Description	Part No.	Description	Part No.	Description
BNT0001	Screw	BNT1238	Worm Bushing A Retainer	BNT2927	Ball Bearing
BNT0009	Cast Control Spacer	BNT1241	Level Wind Guard	BNT3107	Line Guide
BNT0015	Drag Spring Washer	BNT1243	Worm Bushing B	BNT3286	Yoke Spring
BNT0032	Bearing Retainer	BNT1245	Spacer	BNT3290	Washer
BNT0042	Line Guide Pawl	BNT1289	Star Drag Spacer	BNT3309	Brake Collar
BNT0060	Spacer	BNT1293	Retractor Spring Pin	BNT3325	Star Drag
BNT0133	E Lock	BNT1299	Drive Shaft	BNT3326	Side Plate Open Nut
BNT0151	Pawl Cap	BNT1300	Idle Gear A	BNT3327	Washer
BNT0188	O Ring	BNT1301	Idle Gear B	BNT3329	Key Washer
BNT0191	Screw	BNT1302	Screw	BNT3330	Drag Washer
BNT0425	E Lock	BNT1303	Clutch Cam Retainer	BNT3331	Drive Gear
BNT0586	O Ring	BNT1304	Clutch Cam	BNT3332	Pinion Gear
BNT0664	Spacer B	BNT1305	Yoke	BNT3333	Anti-Reverse Pawl
BNT0686	E Lock	BNT1306	Clutch Pawl	BNT3334	Set Plate
BNT0799	Friction Washer	BNT1307	Clutch Pawl Spring	BNT3337	Clutch Bar Guide A
BNT1209	Cast Control Cap	BNT1476	Spacer	BNT3338	Clutch Bar Support
BNT1214	Drag Washer	BNT1611	Level Wind Guide	BNT3339	Clutch Bar Guide B
BNT1215	Anti-Reverse Ratchet	BNT1672	E Lock	BNT3340	Quick-Fire II Clutch Bar
BNT1218	Spacer	BNT1696	Cast Control Spacer B	BNT3341	Left Side Plate
BNT1223	Retractor Spring	BNT1698	Side Plate Bolt	BNT3342	Handle Assembly
BNT1227	Push Nut (SPN-2)	BNT1699	Worm Bushing A	BNT3343	Right Side Plate
BNT1229	Drive Shaft Bushing	BNT1714	Worm Shaft	BNT3344	Spool Assembly
BNT1230	Spacer	BNT1727	Handle Nut Plate	BNT3345	One-Piece Frame
BNT1233	Clutch Plate	BNT2417	Handle Nut	BNT3463	Nut Retainer
BNT1237	Screw	BNT2926	Roller Clutch Inner Tube	BNT6007	Retractor Spring Collar