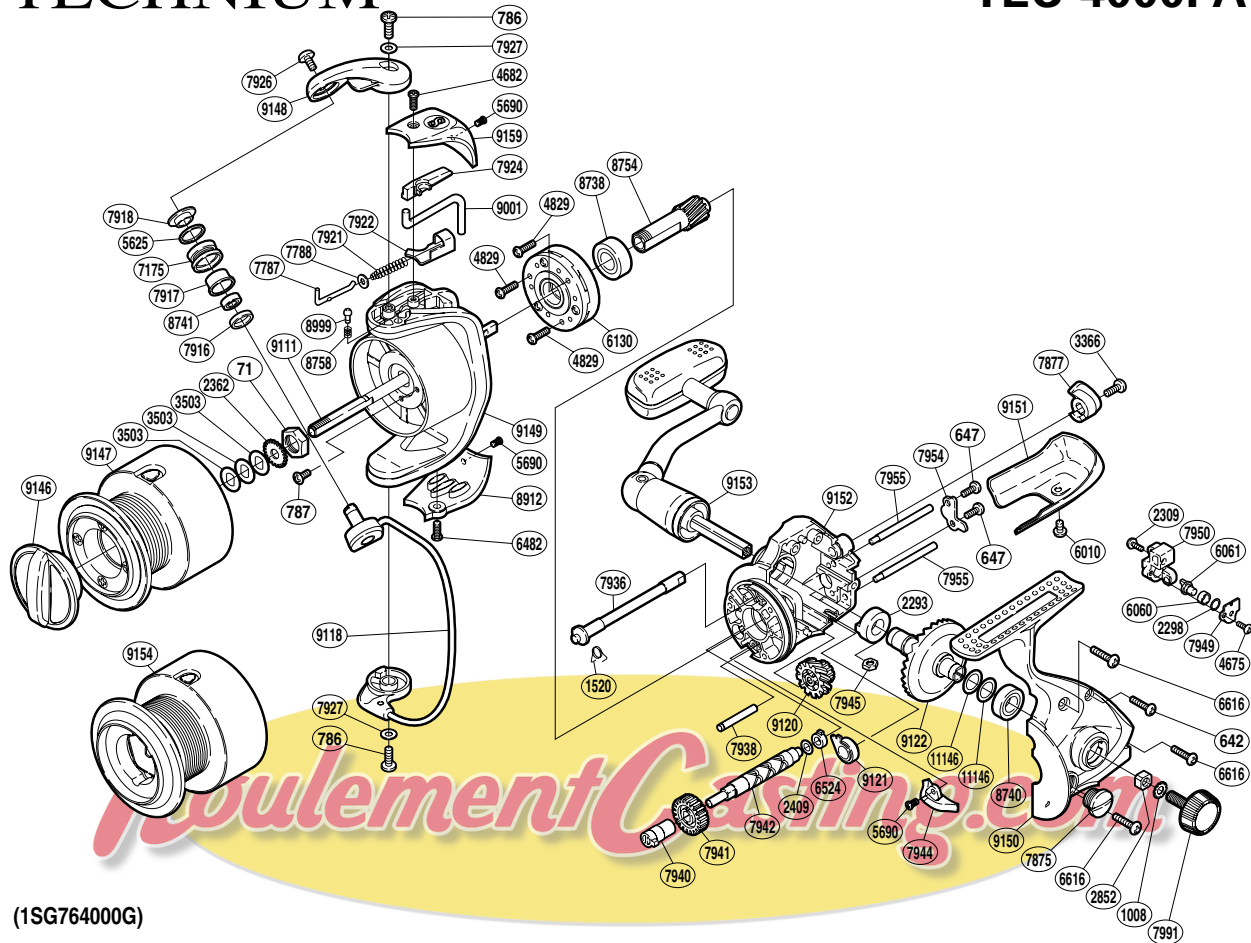


SHIMANO

TECHNIUM

TEC-4000FA



(1SG76400G)

| Part No. | Description | Part No. | Description | Part No. | Description |
|----------|------------------------------|----------|--------------------------|----------|-------------------------|
| RD 0071 | Rotor Nut | RD 6616 | Side Cover Screw (A) | RD 7991 | Handle Screw Cap |
| RD 0642 | Side Cover Screw (B) | RD 7175 | Line Roller | RD 8738 | Ball Bearing |
| RD 0647 | Worm Shaft Retainer Screw | RD 7787 | Bail Spring Guide (A) | RD 8740 | Ball Bearing |
| RD 0786 | Screw | RD 7788 | Spring Guide (A) Support | RD 8741 | Ball Bearing |
| RD 0787 | Nut Lock Screw | RD 7875 | Oil Cap | RD 8754 | Pinion Gear |
| RD 1008 | Handle Lock Washer | RD 7877 | Anti-Reverse Lever | RD 8758 | Click Spring |
| RD 1520 | Anti-Reverse Cam Spring | RD 7916 | Bearing Spacer | RD 8912 | Bail Hold Support Guard |
| RD 2293 | Drive Gear Bushing | RD 7917 | Line Roller Bushing | RD 8999 | Click Pin |
| RD 2298 | Spacer | RD 7918 | Line Roller Washer | RD 9001 | Bail Trip Lever |
| RD 2309 | Slider Retainer Screw | RD 7921 | Bail Spring | RD 9111 | Main Shaft |
| RD 2362 | Spool Support | RD 7922 | Bail Spring Seat | RD 9118 | Bail Assembly |
| RD 2409 | Worm Shaft Spacer | RD 7924 | Bail Trip Cover | RD 9120 | Idle Gear (B) |
| RD 2852 | Handle Screw Lock | RD 7926 | Line Roller Screw | RD 9121 | Bushing |
| RD 3366 | Anti-Reverse Lever Screw | RD 7927 | Adjusting Washer | RD 9122 | Drive Gear |
| RD 3503 | Spool Washer | RD 7936 | Anti-Reverse Cam | RD 9146 | Drag Knob |
| RD 4675 | Oscillating Pawl Cover Screw | RD 7938 | Idle Gear (B) Shaft | RD 9147 | Spool Assembly |
| RD 4829 | Roller Clutch Screw | RD 7940 | Worm Bushing (front) | RD 9148 | Bail Arm |
| RD 5625 | Line Roller Spacer | RD 7941 | Idle Gear | RD 9149 | Rotor |
| RD 5690 | Screw | RD 7942 | Worm Shaft | RD 9150 | Side Cover |
| RD 6010 | Rear Protector Screw | RD 7944 | Bail Trip Strike | RD 9151 | Rear Protector |
| RD 6060 | Oscillating Slider Bushing | RD 7945 | Rear Protector Nut | RD 9152 | Body |
| RD 6061 | Oscillating Pawl | RD 7949 | Oscillating Pawl Cover | RD 9153 | Handle Assembly |
| RD 6130 | Roller Clutch Assembly | RD 7950 | Oscillating Slider | RD 9154 | Spare Spool Assembly |
| RD 6482 | Protector Screw (A) | RD 7954 | Worm Shaft Retainer | RD 9159 | Bail Spring Cover |
| RD 6524 | Worm Bushing (rear) | RD 7955 | Oscillating Guide | RD11146 | Washer |