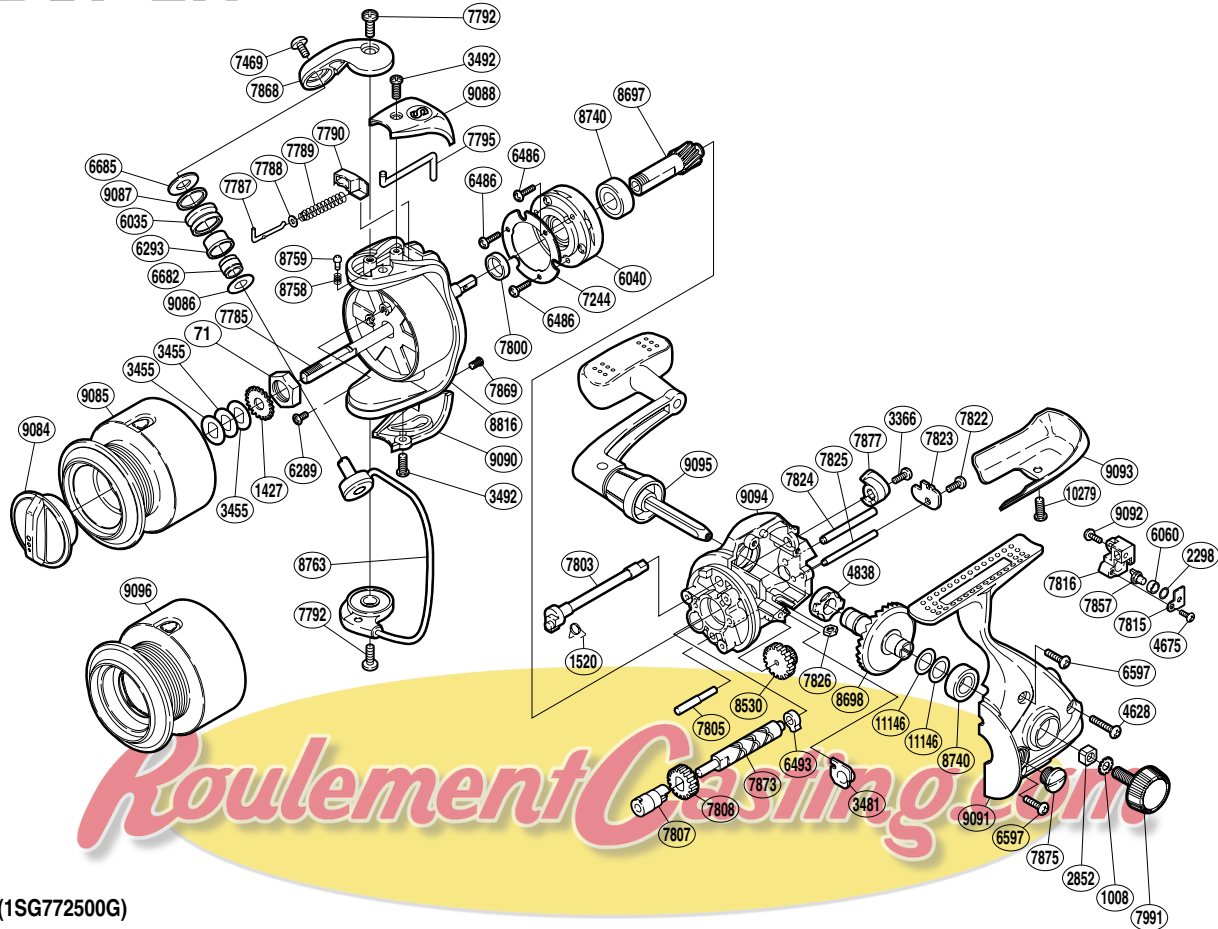


SHIMANO

SUPER

SUP-2500GTFA



(1SG772500G)

Part No.	Description	Part No.	Description	Part No.	Description
RD 0071	Rotor Nut	RD 7785	Main Shaft	RD 7991	Handle Screw Cap
RD 1008	Handle Lock Washer	RD 7787	Bail Spring Guide (A)	RD 8530	Idle Gear (B)
RD 1427	Spool Support	RD 7788	Spring Guide (A) Support	RD 8697	Pinion Gear
RD 1520	Anti-Reverse Cam Spring	RD 7789	Bail Spring	RD 8698	Drive Gear
RD 2298	Spacer	RD 7790	Bail Spring Seat	RD 8740	Ball Bearing
RD 2852	Handle Screw Lock	RD 7792	Screw	RD 8758	Click Spring
RD 3366	Anti-Reverse Lever Screw	RD 7795	Bail Trip Lever	RD 8759	Click Pin
RD 3455	Spool Washer	RD 7800	Rotor Ring	RD 8763	Bail Assembly
RD 3481	Bushing	RD 7803	Anti-Reverse Cam	RD 8816	Rotor
RD 3492	Protector Screw (A)	RD 7805	Idle Gear (B) Shaft	RD 9084	Drag Knob
RD 4628	Side Cover Screw (long)	RD 7807	Worm Bushing (front)	RD 9085	Spool Assembly
RD 4675	Oscillating Pawl Cover Screw	RD 7808	Idle Gear	RD 9086	Spacer
RD 4838	Drive Gear Bushing	RD 7815	Oscillating Pawl Cover	RD 9087	Line Roller Spacer
RD 6035	Line Roller	RD 7816	Oscillating Slider	RD 9088	Bail Spring Cover
RD 6040	Roller Clutch Assembly	RD 7822	Worm Shaft Retainer Screw	RD 9090	Bail Hold Support Guard
RD 6060	Oscillating Slider Bushing	RD 7823	Worm Shaft Retainer	RD 9091	Side Cover
RD 6289	Nut Lock Screw	RD 7824	Oscillating Guide (B)	RD 9092	Slider Retainer Screw
RD 6293	Line Roller Bushing	RD 7825	Oscillating Guide (A)	RD 9093	Rear Protector
RD 6486	Roller Clutch Screw	RD 7826	Rear Protector Nut	RD 9094	Body
RD 6493	Worm Bushing (rear)	RD 7857	Oscillating Pawl	RD 9095	Handle Assembly
RD 6597	Side Cover Screw (short)	RD 7868	Bail Arm	RD 9096	Spare Spool Assembly
RD 6682	Line Roller Collar	RD 7869	Protector Screw (B)	RD10279	Rear Protector Screw
RD 6685	Line Roller Washer	RD 7873	Worm Shaft	RD11146	Washer
RD 7244	Roller Clutch Reinforce	RD 7875	Oil Cap		
RD 7469	Line Roller Screw	RD 7877	Anti-Reverse Lever		