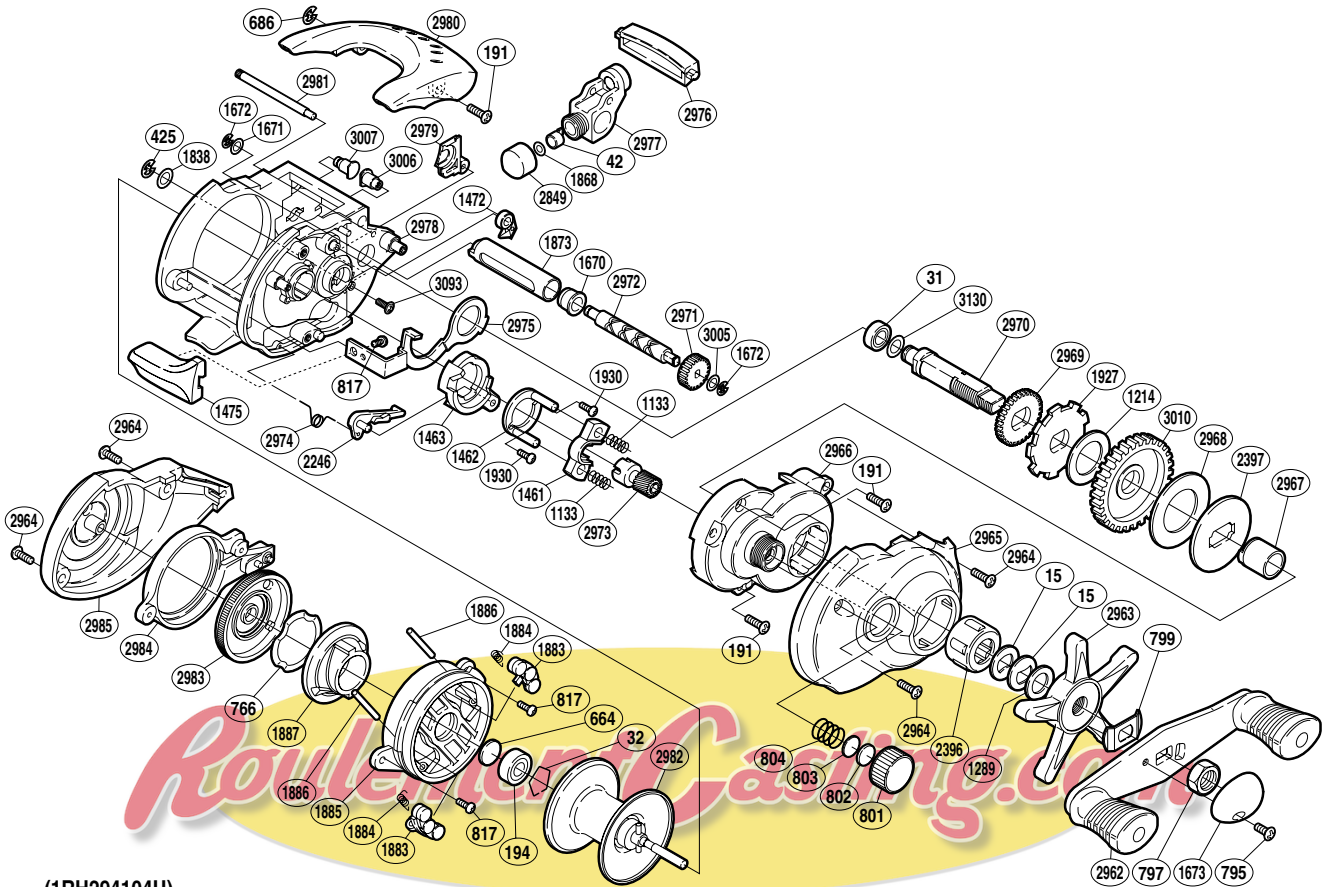


SHIMANO

CORIOLIS

CO-100E



(1RH294104U)

Part No.	Description	Part No.	Description	Part No.	Description
BNT0015	Drag Spring Washer	BNT1475	Quick-Fire II Clutch Bar	BNT2968	Drag Washer
BNT0031	Ball Bearing	BNT1670	Worm Shaft Bushing	BNT2969	Idle Gear (A)
BNT0032	Bearing Retainer	BNT1671	Worm Shaft Washer (B)	BNT2970	Drive Shaft
BNT0042	Line Guide Pawl	BNT1672	"E" Lock	BNT2971	Idle Gear (C)
BNT0191	Multi-Purpose Screw	BNT1673	Handle Nut Plate	BNT2972	Worm Shaft
BNT0194	Ball Bearing	BNT1838	Drive Shaft Washer	BNT2973	Pinion Gear
BNT0425	"E" Lock	BNT1868	Spacer	BNT2974	Clutch Pawl Spring
BNT0664	Spacer (B)	BNT1873	Level Wind Guard	BNT2975	Clutch Plate
BNT0686	"E" Lock	BNT1883	Magnet Retainer	BNT2976	Level Wind Protector
BNT0766	Dial Friction Washer	BNT1884	Magnet Retainer Spring	BNT2977	Line Guide
BNT0795	Handle Nut Plate Screw	BNT1885	Dial Case	BNT2978	One-Piece Frame
BNT0797	Handle Nut	BNT1886	Magnet Retainer Shaft	BNT2979	Drive Shaft Cover
BNT0799	Friction Washer	BNT1887	Brake Cam	BNT2980	Thumb Rest
BNT0801	Cast Control Cap	BNT1927	Anti-Reverse Ratchet	BNT2981	Stabilizer Bar
BNT0802	Spool Tension Spacer (B)	BNT1930	Screw	BNT2982	Spool Assembly
BNT0803	Spool Tension Spacer (A)	BNT2246	Clutch Pawl	BNT2983	Magnetic Control Dial
BNT0804	Spool Tension Spring	BNT2396	Roller Clutch Bearing	BNT2984	Left Side Plate
BNT0817	Multi-Purpose Screw	BNT2397	Key Washer	BNT2985	Left Side Plate Cover
BNT1133	Yoke Spring	BNT2849	Pawl Cap	BNT3005	Adjusting Washer
BNT1214	Drive Shaft Washer (A)	BNT2962	Handle Assembly	BNT3006	Bushing Insert (B)
BNT1289	Star Drag Spacer	BNT2963	Star Drag	BNT3007	Bushing Insert (C)
BNT1461	Yoke	BNT2964	Side Plate Cover Screw	BNT3010	Drive Gear
BNT1462	Clutch Cam Retainer	BNT2965	Right Side Plate Cover	BNT3093	Drive Shaft Cover Screw
BNT1463	Clutch Cam	BNT2966	Right Side Plate	BNT3130	Washer
BNT1472	Anti-Reverse Pawl	BNT2967	Roller Clutch Inner Tube		

(190418)