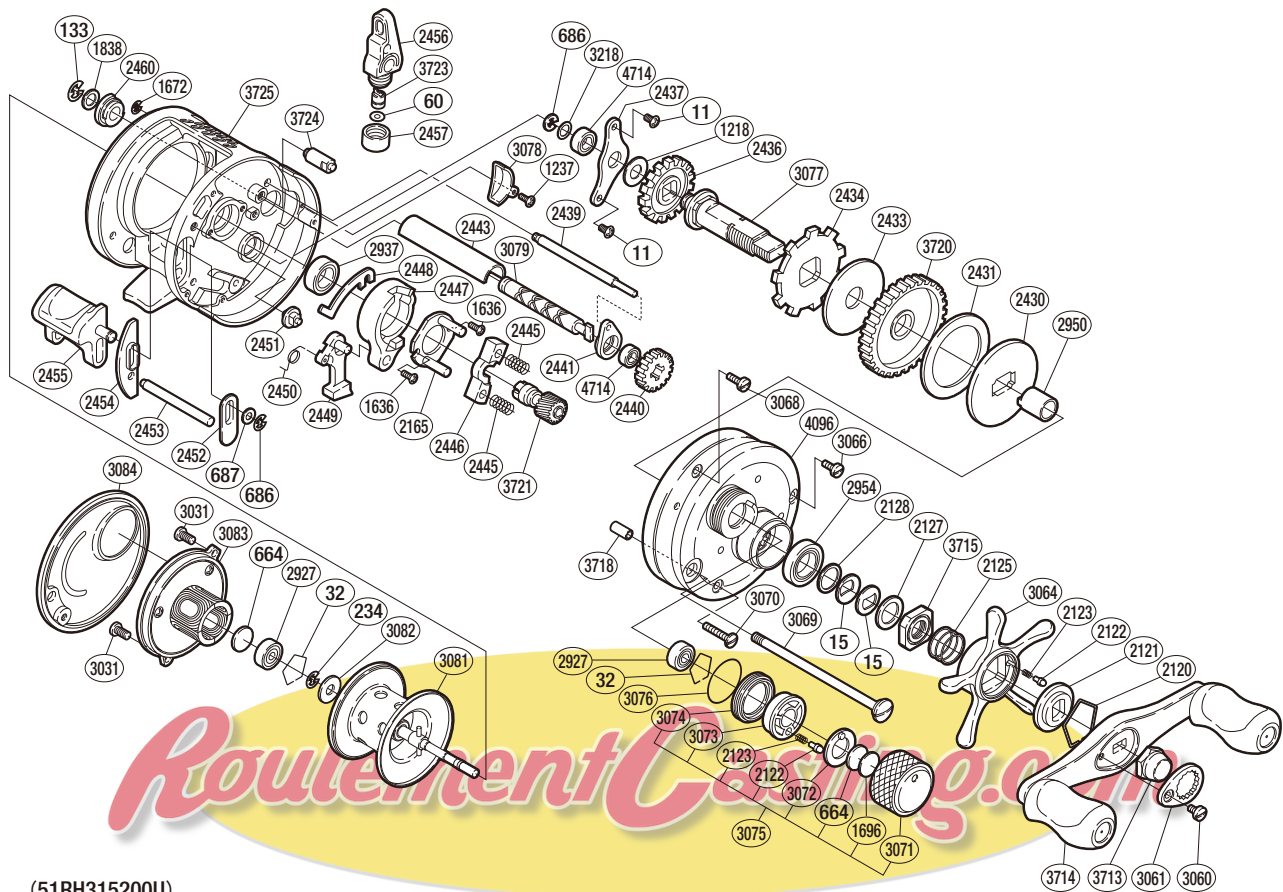


# SHIMANO

## CALCUTTA TE

## CTE-200DC



(51RH315200U)

Part No.	Description	Part No.	Description	Part No.	Description
BNT0011	Drive Shaft Retainer Screw	BNT2437	Drive Shaft Retainer	BNT3068	Right Side Plate Screw (A)
BNT0015	Drag Spring Washer	BNT2439	Level Wind Guide	BNT3069	Side Plate Shaft
BNT0032	Bearing Retainer	BNT2440	Idle Gear (C)	BNT3070	Right Side Plate Screw (B) (long)
BNT0060	Spacer (optional)	BNT2441	Worm Bushing (A)	BNT3071	Cast Control Cap
BNT0133	"E" Lock	BNT2443	Level Wind Guard	BNT3072	Cast Control Click Plate
BNT0234	"E" Lock	BNT2445	Yoke Spring	BNT3073	Click Pin Holder
BNT0664	Spacer (B)	BNT2446	Yoke	BNT3074	Cast Control Click Holder
BNT0686	"E" Lock	BNT2447	Clutch Cam	BNT3075	Cast Control Cap Assembly
BNT0687	Spacer	BNT2448	Clutch Plate	BNT3076	"O" Ring
BNT1218	Idle Gear (A) Spacer	BNT2449	Clutch Pawl	BNT3077	Drive Shaft
BNT1237	Shield Screw	BNT2450	Clutch Pawl Spring	BNT3078	Frame Shield
BNT1636	Clutch Cam Screw	BNT2451	Set Pin	BNT3079	Worm Shaft
BNT1672	"E" Lock	BNT2452	Clutch Bar Guide (A)	BNT3081	Spool Assembly
BNT1696	Cast Control Spacer (B)	BNT2453	Clutch Bar Support	BNT3082	Magnetic Plate
BNT1838	Worm Shaft Spacer	BNT2454	Clutch Bar Guide (B)	BNT3083	Digital Control Assembly
BNT2120	Click Plate Retainer	BNT2455	Quick-Fire II Clutch Bar	BNT3084	Left Side Plate
BNT2121	Star Drag Click	BNT2456	Line Guide	BNT3218	Drive Shaft Washer
BNT2122	Click Pin	BNT2457	Pawl Cap	BNT3713	Handle Nut
BNT2123	Click Spring	BNT2460	Worm Bushing (B)	BNT3714	Handle Assembly
BNT2125	Star Drag Spring	BNT2927	Ball Bearing	BNT3715	Star Drag Nut
BNT2127	Star Drag Spacer	BNT2937	Ball Bearing	BNT3718	Side Plate Screw Collar
BNT2128	Bearing Washer	BNT2950	Roller Clutch Inner Tube	BNT3720	Drive Gear
BNT2165	Clutch Cam Retainer	BNT2954	Star Drag Bearing	BNT3721	Pinion Gear
BNT2430	Key Washer	BNT3031	Digital Control Screw	BNT3723	Line Guide Pawl
BNT2431	Drag Washer (C)	BNT3060	Handle Nut Plate Screw	BNT3724	Anti-Reverse Pawl Pin
BNT2433	Drag Washer (A)	BNT3061	Handle Nut Plate	BNT3725	One-Piece Frame
BNT2434	Anti-Reverse Ratchet	BNT3064	Star Drag	BNT4096	Right Side Plate
BNT2436	Idle Gear (A)	BNT3066	Right Side Plate Screw (C) (short)	BNT4714	Ball Bearing