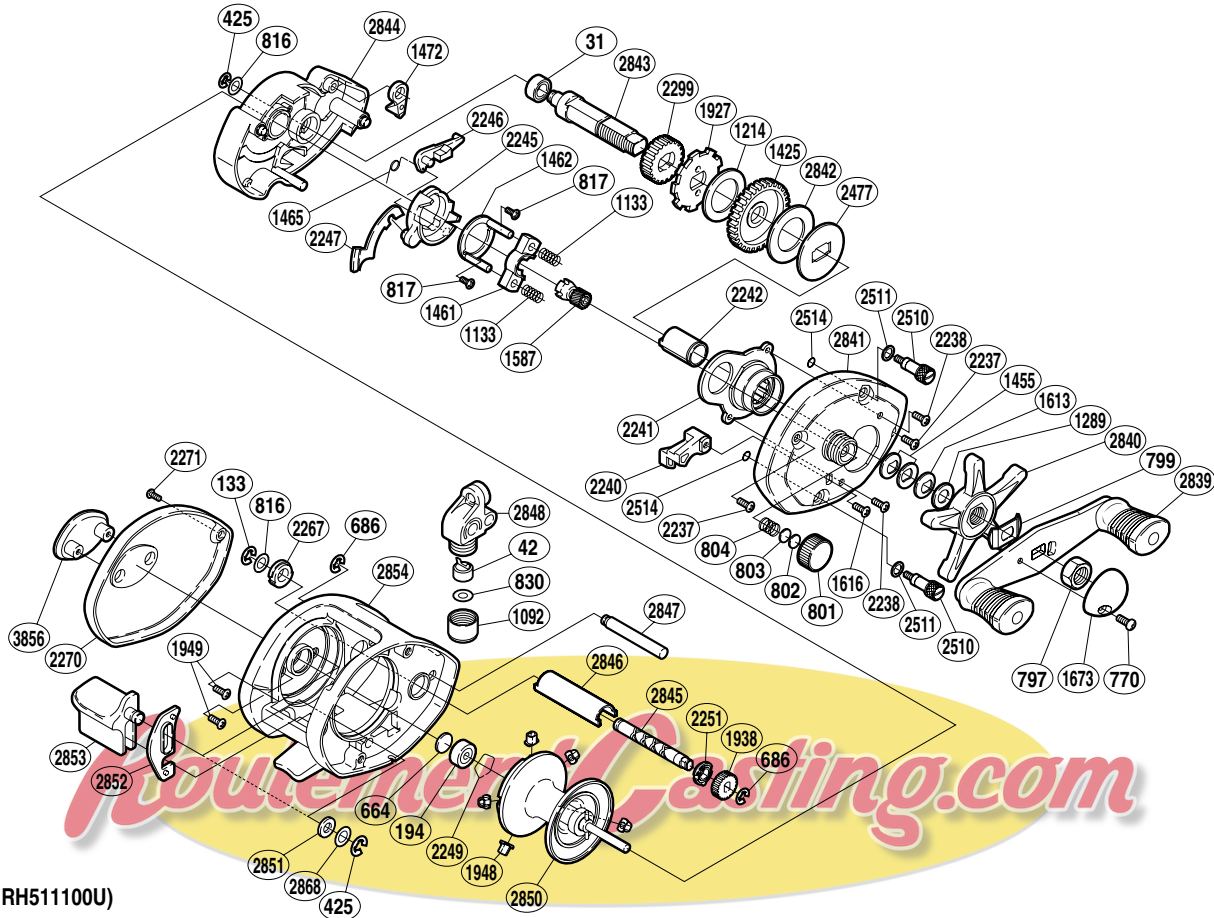


# SHIMANO

## Calyx

CYX-100A



(1RH511100U)

Part No.	Description	Part No.	Description	Part No.	Description
BNT0031	Ball Bearing	BNT1462	Clutch Cam Retainer	BNT2299	Idle Gear (A)
BNT0042	Line Guide Pawl	BNT1465	Clutch Pawl Spring	BNT2477	Key Washer
BNT0133	Worm Shaft Retainer	BNT1472	Anti-Reverse Pawl	BNT2510	Right Side Plate Nut
BNT0194	Ball Bearing	BNT1587	Pinion Gear	BNT2511	Side Plate Nut Washer
BNT0425	"E" Lock	BNT1613	Drag Spring Washer (L)	BNT2514	"O" Ring
BNT0664	Spacer (B)	BNT1616	Return Pin Guide Screw	BNT2839	Handle Assembly
BNT0686	"E" Lock	BNT1673	Handle Nut Plate	BNT2840	Star Drag
BNT0770	Handle Nut Plate Screw	BNT1927	Anti-Reverse Ratchet	BNT2841	Right Side Plate
BNT0797	Handle Nut	BNT1938	Idle Gear (C)	BNT2842	Drag Washer
BNT0799	Friction Washer	BNT1948	Brake Collar	BNT2843	Drive Shaft
BNT0801	Cast Control Cap	BNT1949	I.D.Plate Screw	BNT2844	Set Plate
BNT0802	Spool Tension Spacer (B)	BNT2237	Right Side Plate Screw	BNT2845	Worm Shaft
BNT0803	Spool Tension Spacer (A)	BNT2238	Bush Plate Screw	BNT2846	Level Wind Guard
BNT0804	Spool Tension Spring	BNT2240	Return Pin Guide	BNT2847	Stabilizer Bar
BNT0816	Shaft Washer	BNT2241	Roller Clutch Assembly	BNT2848	Line Guide
BNT0817	Clutch Cam Retainer Screw	BNT2242	Roller Clutch Inner Tube	BNT2850	Spool Assembly
BNT0830	Spacer (optional)	BNT2245	Clutch Cam	BNT2851	Clutch Button Washer
BNT1092	Pawl Cap	BNT2246	Clutch Pawl	BNT2852	Clutch Button Guide
BNT1133	Yoke Spring	BNT2247	Clutch Plate	BNT2853	Quick-Fire II Clutch Button
BNT1214	Drag Washer (A)	BNT2249	Bearing Retainer	BNT2854	One-Piece Frame
BNT1289	Star Drag Spacer	BNT2251	Worm Bushing (A)	BNT2868	Clutch Bar Support Spacer
BNT1425	Drive Gear	BNT2267	Worm Bushing (B)	BNT3856	Left Side I.D.Plate
BNT1455	Drag Spring Washer	BNT2270	Left Side Plate		
BNT1461	Yoke	BNT2271	Left Side Plate Screw		