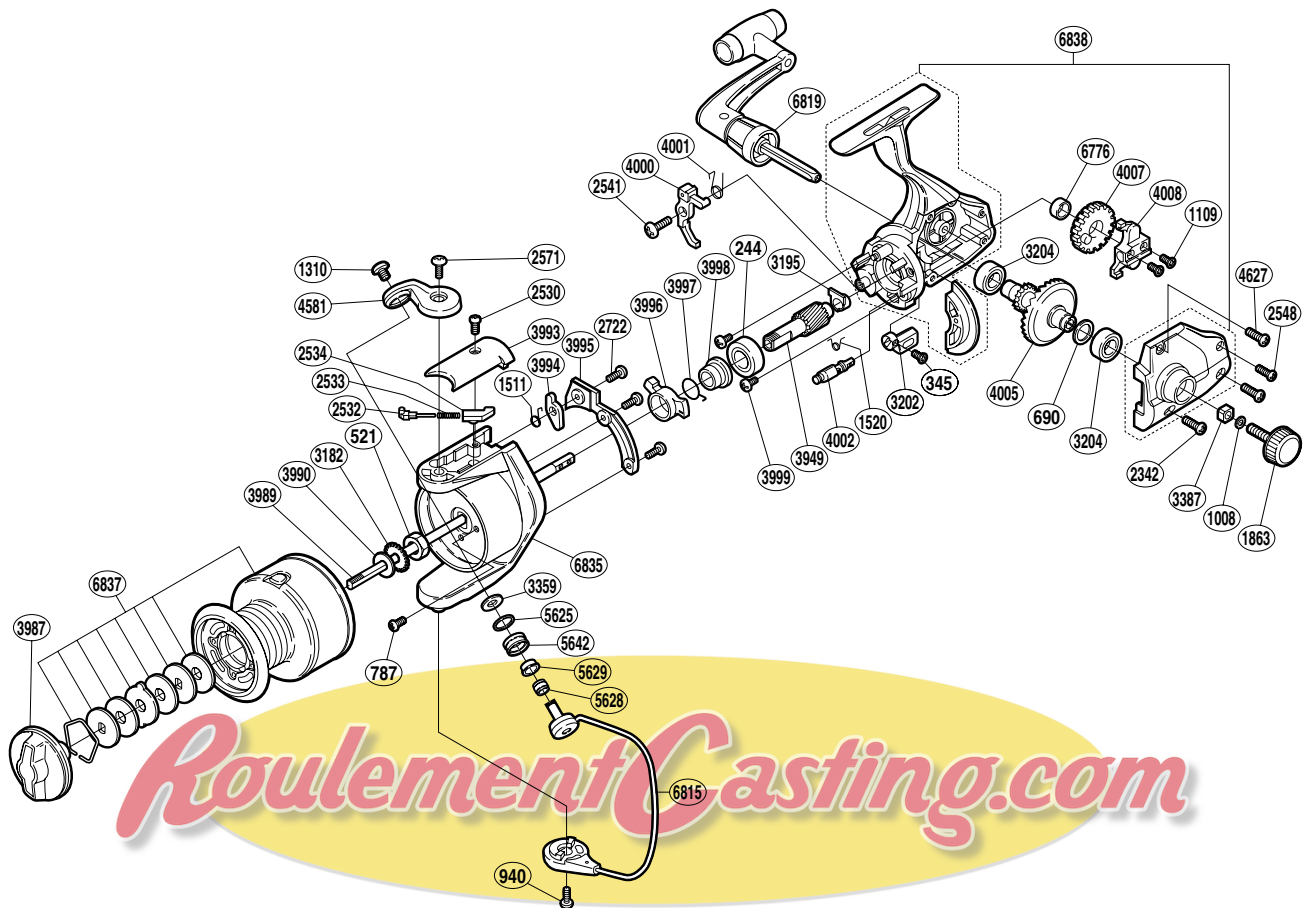


# SHIMANO®

## SLADE

## SL-6000F



| Part No. | Description                    | Part No. | Description                  | Part No. | Description                     |
|----------|--------------------------------|----------|------------------------------|----------|---------------------------------|
| RD 0244  | Ball Bearing                   | RD 2571  | Bail Arm Screw               | RD 4000  | Anti-Reverse Pawl               |
| RD 0345  | Anti-Reverse Lever Screw       | RD 2722  | Counterbalance Cover Screw   | RD 4001  | Anti-Reverse Pawl Spring        |
| RD 0521  | Rotor Nut                      | RD 3182  | Spool Support                | RD 4002  | Anti-Reverse Cam                |
| RD 0690  | Drive Gear Washer              | RD 3195  | Bushing                      | RD 4005  | Drive Gear                      |
| RD 0787  | Nut Lock Screw                 | RD 3202  | Anti-Reverse Lever           | RD 4007  | Oscillating Gear                |
| RD 0940  | Bail Hold Support Screw        | RD 3204  | Ball Bearing                 | RD 4008  | Oscillating Slider              |
| RD 1008  | Handle Lock Washer             | RD 3359  | Line Roller Washer           | RD 4581  | Bail Arm                        |
| RD 1109  | Slider Retainer Screw          | RD 3987  | Drag Knob                    | RD 4627  | Side Cover Screw (large-silver) |
| RD 1310  | Line Roller Screw              | RD 3989  | Main Shaft                   | RD 5625  | Line Roller Spacer              |
| RD 1511  | Lever Spring                   | RD 3990  | Spool Washer                 | RD 5628  | Line Roller Collar              |
| RD 1520  | Anti-Reverse Cam Spring        | RD 3993  | Bail Spring Cover            | RD 5629  | Line Roller Bushing             |
| RD 1863  | Handle Screw Cap               | RD 3994  | Bail Trip Lever              | RD 5642  | Line Roller                     |
| RD 2342  | Side Cover Screw (large-black) | RD 3995  | Counterbalance Cover         | RD 6776  | Oscillating Gear Bushing        |
| RD 2530  | Bail Spring Cover Screw        | RD 3996  | Anti-Reverse Lock Out        | RD 6815  | Bail Assembly                   |
| RD 2532  | Bail Spring Guide (A)          | RD 3997  | Anti-Reverse Lock Out Spring | RD 6819  | Handle Assembly                 |
| RD 2533  | Bail Spring                    | RD 3998  | Lock Out Spring Holder       | RD 6835  | Rotor                           |
| RD 2534  | Bail Spring Guide (B)          | RD 3999  | Bearing Retainer Screw       | RD 6837  | Spool Assembly                  |
| RD 2541  | Anti-Reverse Pawl Screw        |          |                              | RD 6838  | Body Assembly                   |
| RD 2548  | Side Cover Screw (small)       |          |                              |          |                                 |