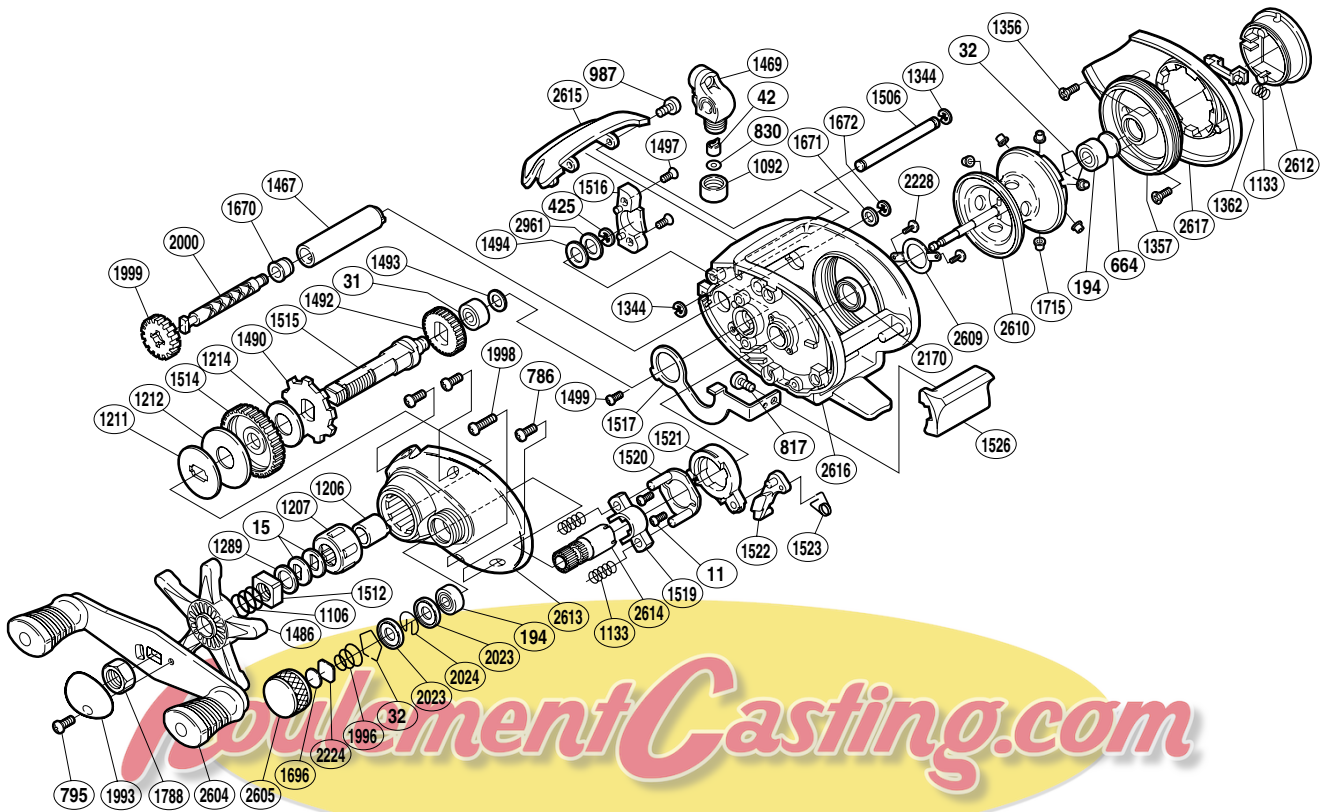


SHIMANO®

Bantam CURADO

CU-201BSF



Part No.	Description	Part No.	Description	Part No.	Description
BNT0011	Clutch Cam Screw	BNT1362	Turnkey Pawl	BNT1696	Cast Control Spacer (B)
BNT0015	Drag Spring Washer	BNT1467	Level Wind Guard	BNT1715	Brake Collar (red)
BNT0031	Ball Bearing	BNT1469	Line Guide	BNT1788	Handle Nut
BNT0032	Bearing Retainer	BNT1486	Star Drag	BNT1993	Handle Nut Plate Assembly
BNT0042	Line Guide Pawl	BNT1490	Anti-Reverse Ratchet	BNT1996	Spool Tension Spring
BNT0194	Ball Bearing	BNT1492	Idle Gear (A)	BNT1998	Side Plate Screw (long)
BNT0425	"E" Lock	BNT1493	Drive Gear Washer	BNT1999	Idle Gear (C)
BNT0664	Spacer (B)	BNT1494	Drive Shaft Washer (B)	BNT2000	Worm Shaft
BNT0786	Side Plate Screw (short)	BNT1497	Drive Shaft Cover Screw	BNT2023	Spool Shaft Clip Holder
BNT0795	Handle Nut Plate Screw	BNT1499	Clutch Plate Screw	BNT2024	Spool Shaft Clip
BNT0817	Clutch Bar Screw	BNT1506	Line Guard	BNT2170	Ball Bearing
BNT0830	Spacer (optional)	BNT1512	Star Drag Nut	BNT2224	Spool Tension Spacer (A)
BNT0987	Thumb Rest Screw	BNT1514	Drive Gear	BNT2228	Bearing Retainer Screw
BNT1092	Pawl Cap	BNT1515	Drive Shaft	BNT2604	Handle Assembly
BNT1106	Star Drag Spring	BNT1516	Drive Shaft Cover	BNT2605	Cast Control Cap
BNT1133	Yoke / Turnkey Pawl Spring	BNT1517	Clutch Plate	BNT2609	Bearing Retainer
BNT1206	Roller Clutch Inner Tube	BNT1519	Yoke	BNT2610	Spool Assembly
BNT1207	Roller Clutch Bearing	BNT1520	Clutch Cam Retainer	BNT2612	Turnkey Dial
BNT1211	Key Washer	BNT1521	Clutch Cam	BNT2613	Left Side Plate
BNT1212	Drag Washer (C)	BNT1522	Clutch Pawl	BNT2614	Pinion Gear
BNT1214	Drag Washer (A)	BNT1523	Clutch Pawl Spring	BNT2615	Thumb Rest
BNT1289	Star Drag Spacer	BNT1526	Quick-Fire II Clutch Bar	BNT2616	One-Piece Frame
BNT1344	"C" Lock	BNT1670	Worm Bushing	BNT2617	Right Side Plate
BNT1356	Brake Case Retainer Screw	BNT1671	Worm Shaft Washer (B)	BNT2961	Drive Shaft Washer
BNT1357	Brake Case	BNT1672	"E" Lock		