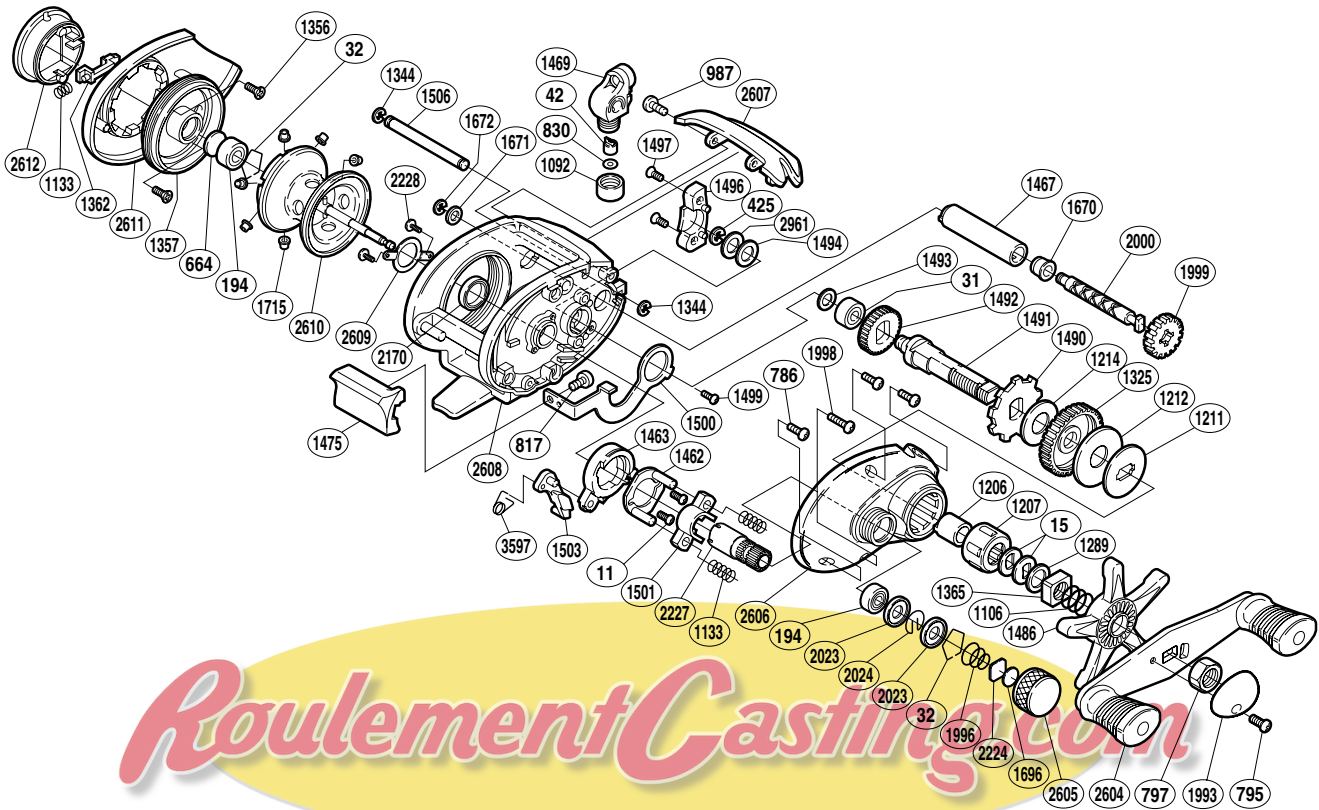


SHIMANO®

Bantam CURADO

CU-200BSF



Part No.	Description	Part No.	Description	Part No.	Description
BNT0011	Clutch Cam Screw	BNT1356	Brake Case Retainer Screw	BNT1696	Cast Control Spacer (B)
BNT0015	Drag Spring Washer	BNT1357	Brake Case	BNT1715	Brake Collar (red)
BNT0031	Ball Bearing	BNT1362	Turnkey Pawl	BNT1993	Handle Nut Plate Assembly
BNT0032	Bearing Retainer	BNT1365	Star Drag Nut	BNT1996	Spool Tension Spring
BNT0042	Line Guide Pawl	BNT1462	Clutch Cam Retainer	BNT1998	Side Plate Screw (long)
BNT0194	Ball Bearing	BNT1463	Clutch Cam	BNT1999	Idle Gear (C)
BNT0425	"E" Lock	BNT1467	Level Wind Guard	BNT2000	Worm Shaft
BNT0664	Spacer (B)	BNT1469	Line Guide	BNT2023	Spool Shaft Clip Holder
BNT0786	Side Plate Screw (short)	BNT1475	Quick-Fire II Clutch Bar	BNT2024	Spool Shaft Clip
BNT0795	Handle Nut Plate Screw	BNT1486	Star Drag	BNT2170	Ball Bearing
BNT0797	Handle Nut	BNT1490	Anti-Reverse Ratchet	BNT2224	Spool Tension Spacer (A)
BNT0817	Clutch Bar Screw	BNT1491	Drive Shaft	BNT2227	Pinion Gear
BNT0830	Spacer (optional)	BNT1492	Idle Gear (A)	BNT2228	Bearing Retainer Screw
BNT0987	Thumb Rest Screw	BNT1493	Drive Gear Washer	BNT2604	Handle Assembly
BNT1092	Pawl Cap	BNT1494	Drive Shaft Washer (B)	BNT2605	Cast Control Cap
BNT1106	Star Drag Spring	BNT1496	Drive Shaft Cover	BNT2606	Right Side Plate
BNT1133	Yoke / Turnkey Pawl Spring	BNT1497	Drive Shaft Cover Screw	BNT2607	Thumb Rest
BNT1206	Roller Clutch Inner Tube	BNT1499	Clutch Plate Screw	BNT2608	One-Piece Frame
BNT1207	Roller Clutch Bearing	BNT1500	Clutch Plate	BNT2609	Bearing Retainer
BNT1211	Key Washer	BNT1501	Yoke	BNT2610	Spool Assembly
BNT1212	Drag Washer (C)	BNT1503	Clutch Pawl	BNT2611	Left Side Plate
BNT1214	Drag Washer (A)	BNT1506	Line Guard	BNT2612	Turnkey Dial
BNT1289	Star Drag Spacer	BNT1670	Worm Bushing	BNT2961	Drive Shaft Washer
BNT1325	Drive Gear	BNT1671	Worm Shaft Washer (B)	BNT3597	Clutch Pawl Spring
BNT1344	"C" Lock	BNT1672	"E" Lock		