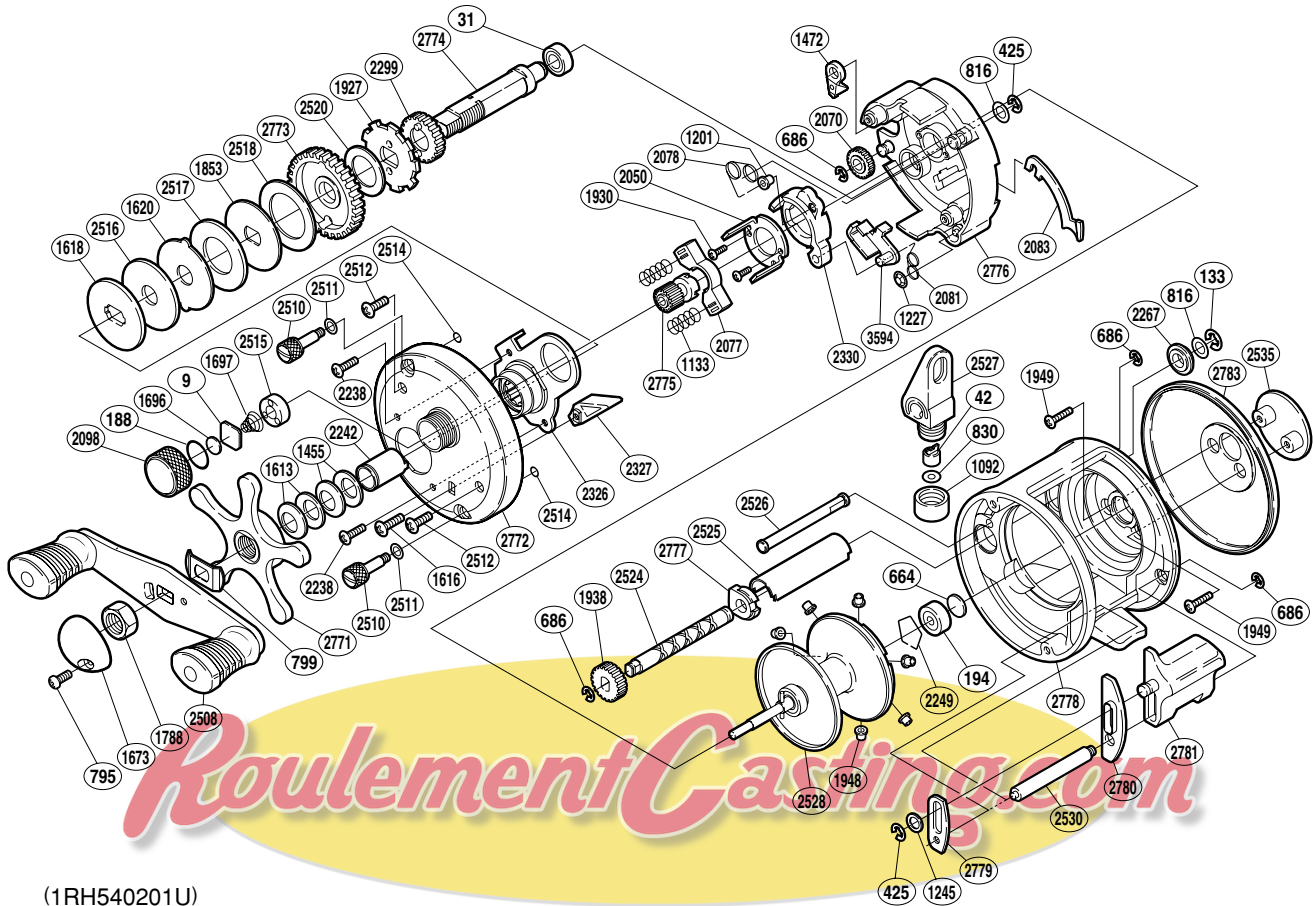


SHIMANO®

Catala

CTL-201



(1RH540201U)

Part No.	Description	Part No.	Description	Part No.	Description
BNT0009	Spacer (A)	BNT1788	Handle Nut	BNT2515	Cast Control Bushing
BNT0031	Ball Bearing	BNT1853	Key Washer (A)	BNT2516	Drag Washer (AG)
BNT0042	Line Guide Pawl	BNT1927	Anti-Reverse Ratchet	BNT2517	Drag Washer (CG)
BNT0133	Worm Shaft Retainer	BNT1930	Clutch Cam Screw	BNT2518	Drag Washer (BG)
BNT0188	"O" Ring	BNT1938	Idle Gear (C)	BNT2520	Drive Shaft Washer (B)
BNT0194	Ball Bearing	BNT1948	Brake Collar	BNT2524	Worm Shaft
BNT0425	"E" Lock	BNT1949	I.D. Plate Screw	BNT2525	Level Wind Guard
BNT0664	Spacer (B)	BNT2050	Clutch Cam Retainer	BNT2526	Stabilizer Bar
BNT0686	"E" Lock	BNT2070	Idle Gear (B)	BNT2527	Line Guide
BNT0795	Handle Nut Plate Screw	BNT2077	Yoke	BNT2528	Spool Assembly
BNT0799	Friction Washer	BNT2078	Retractor Spring	BNT2530	Clutch Button Support Bar
BNT0816	Shaft Washer	BNT2081	Clutch Pawl Spring	BNT2535	Right Side I.D. Plate
BNT0830	Spacer (optional)	BNT2083	Clutch Plate	BNT2771	Star Drag
BNT1092	Pawl Cap	BNT2098	Cast Control Cap	BNT2772	Left Side Plate
BNT1133	Yoke Spring	BNT2238	Bush Plate Screw	BNT2773	Drive Gear
BNT1201	Retractor Spring Collar	BNT2242	Roller Clutch Inner Tube	BNT2774	Drive Shaft
BNT1227	Push Nut (SPN-2)	BNT2249	Bearing Retainer	BNT2775	Pinion Gear
BNT1245	Clutch Bar Support Spacer	BNT2267	Worm Bushing (B)	BNT2776	Set Plate
BNT1455	Drag Spring Washer (H)	BNT2299	Idle Gear (A)	BNT2777	Worm Bushing (A)
BNT1472	Anti-Reverse Pawl	BNT2326	Roller Clutch Assembly	BNT2778	One-Piece Frame
BNT1613	Drag Spring Washer (L)	BNT2327	Return Pin Guide	BNT2779	Clutch Button Guide (A)
BNT1616	Return Pin Guide Screw	BNT2330	Clutch Cam	BNT2780	Clutch Button Guide (B)
BNT1618	Key Washer (C)	BNT2508	Handle Assembly	BNT2781	Quick-Fire II Clutch Bar
BNT1620	Eared Washer	BNT2510	Left Side Plate Nut	BNT2783	Right Side Plate
BNT1673	Handle Nut Plate	BNT2511	Side Plate Nut Washer	BNT3594	Clutch Pawl
BNT1696	Cast Control Spacer (B)	BNT2512	Left Side Plate Screw		
BNT1697	Spool Tension Spring	BNT2514	"O" Ring		

(170809)