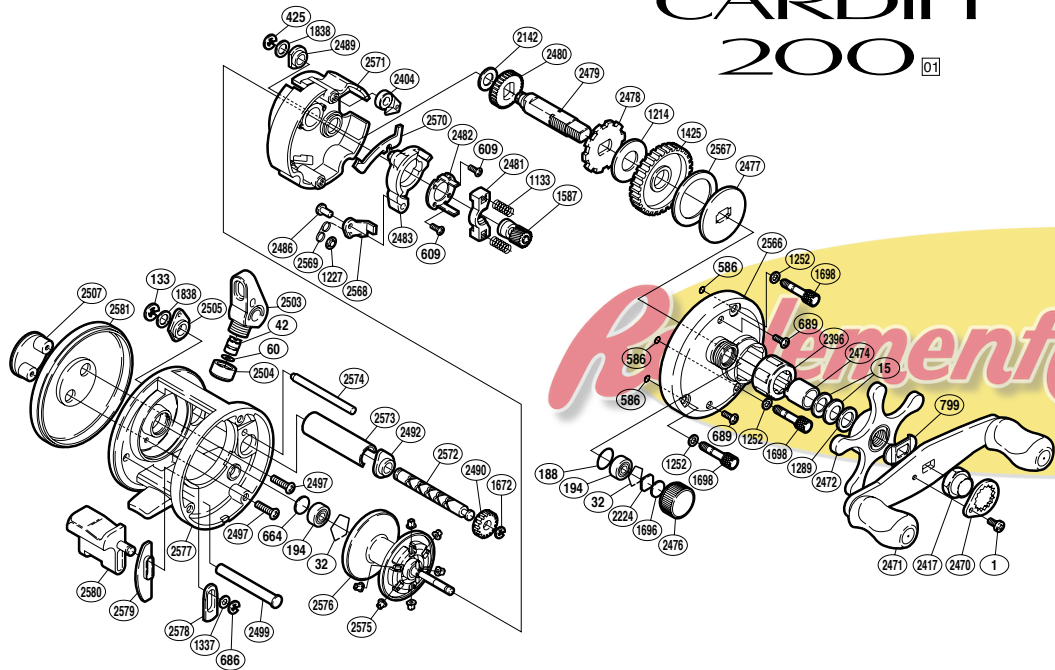


CARDIFF™

200 01



BNT No.	PARTS NAMES	BNT No.	PARTS NAMES	BNT No.	PARTS NAMES
0001	Handle Nut Plate Screw	1696	Cast Control Spacer (B)	2497	ID Plate Screw
0015	Drag Spring Washer	1698	Right Side Plate Bolt	2499	Clutch Bar Support
0032	Bearing Retainer	1838	Worm Shaft Spacer	2503	Line Guide
0042	Line Guide Pawl	2142	Idle Gear (A) Spacer	2504	Pawl Cap
0060	Spacer (optional)	2224	Spool Tension Spacer (A)	2505	Worm Bushing (B)
0133	Worm Shaft Retainer	2396	Roller Clutch Bearing	2507	Left Side ID Plate
0188	"O" Ring	2404	Anti-Reverse Pawl	2566	Right Side Plate
0194	Ball Bearing	2417	Handle Nut	2567	Drag Washer (C)
0425	"E" Lock	2470	Handle Nut Plate	2568	Clutch Pawl
0586	Bolt Retainer	2471	Handle Assembly	2569	Clutch Pawl Spring
0609	Clutch Cam Screw	2472	Star Drag	2570	Clutch Plate
0664	Spacer (B)	2474	Roller Clutch Inner Tube	2571	Set Plate
0686	"E" Lock	2476	Cast Control Cap	2572	Worm Shaft
0689	Set Plate Screw	2477	Key Washer	2573	Level Wind Guard
0799	Friction Washer	2478	Anti-Reverse Ratchet	2574	Level Wind Guide
1133	Yoke Spring	2479	Drive Shaft	2575	Brake Collar
1214	Drag Washer (A)	2480	Idle Gear (A)	2576	Spool Assembly
1227	Clutch Pawl Spring Retainer	2481	Yoke	2577	One-Piece Frame
1252	Right Side Plate Bolt Washer	2482	Clutch Cam Retainer	2578	Clutch Bar Guide (A)
1289	Star Drag Spacer	2483	Clutch Cam	2579	Clutch Bar Guide (B)
1337	Clutch Bar Support Spacer	2486	Clutch Pawl Pin	2580	Quick-Fire II Clutch Bar
1425	Drive Gear	2489	Drive Shaft Bushing	2581	Left Side Plate
1587	Pinion Gear	2490	Idle Gear (C)		
1672	"E" Lock	2492	Worm Bushing (A)		