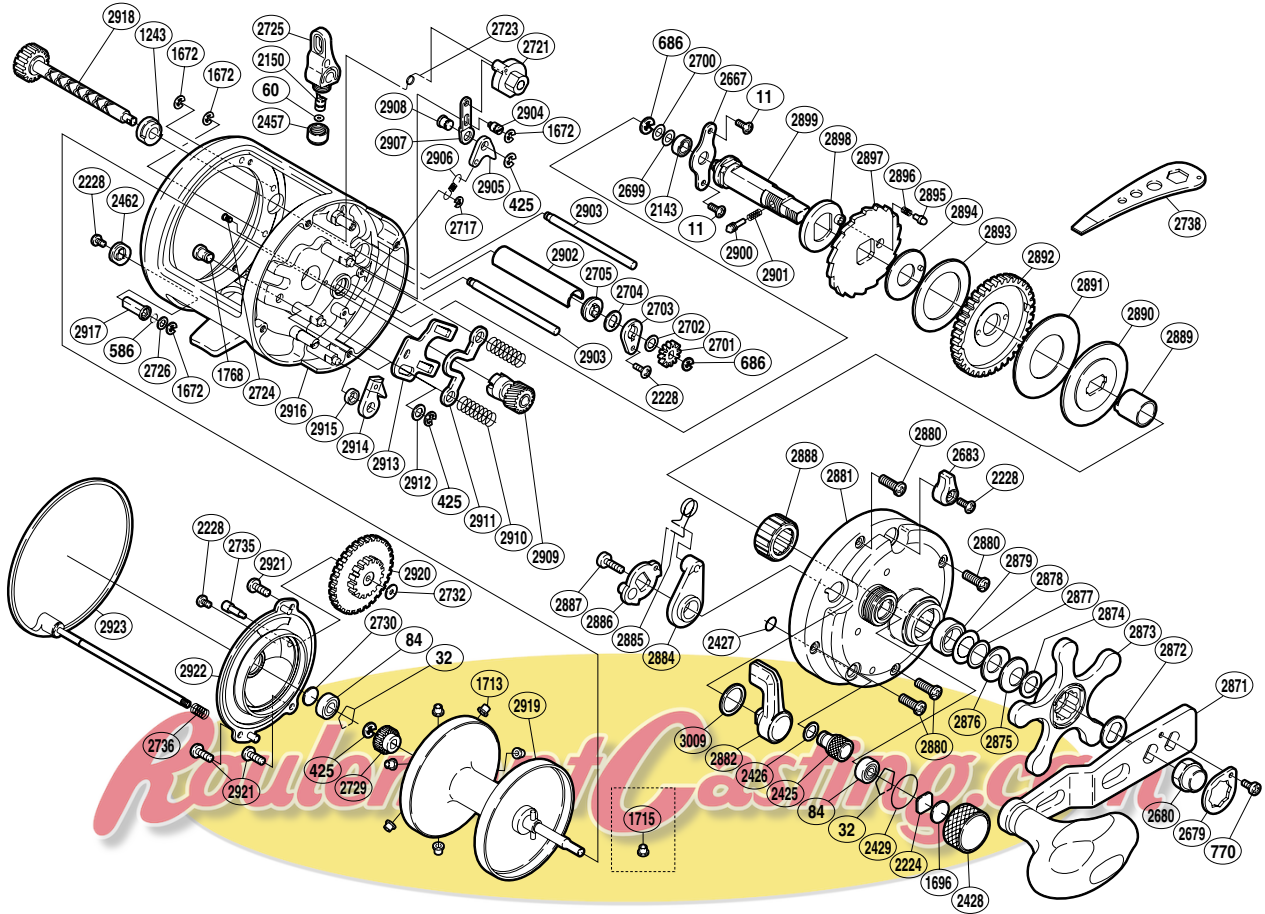


SHIMANO®

CALCUTTA TE

CTE-700



Part No.	Description	Part No.	Description	Part No.	Description
BNT0011	Drive Shaft Retainer Screw	BNT2717	"E" Lock	BNT2896	Drag Click Spring
BNT0032	Bearing Retainer	BNT2721	Click Switch Cam	BNT2897	Anti-Reverse Ratchet
BNT0060	Spacer (optional)	BNT2723	Click Switch Spring	BNT2898	Drag Click Pin Holder
BNT0084	Ball Bearing	BNT2724	Click Spring Pin	BNT2899	Drive Shaft
BNT0425	"E" Lock	BNT2725	Line Guide	BNT2900	Click Pin
BNT0586	Bolt Retainer	BNT2726	Damper Washer	BNT2901	Click Spring
BNT0686	"E" Lock	BNT2729	Idle Gear (A)	BNT2902	Level Wind Guard
BNT0770	Handle Nut Plate Screw	BNT2730	Spacer (B)	BNT2903	Level Wind Guide
BNT1243	Worm Bushing (B)	BNT2732	Idle Gear "B" Washer	BNT2904	Click Link Guide Pin
BNT1672	"E" Lock	BNT2735	Idle Gear Shaft	BNT2905	Click Pawl
BNT1696	Cast Control Spacer (B)	BNT2736	Left Side Plate Spring	BNT2906	Click Pawl Spring
BNT1713	Brake Collar (green)	BNT2871	Handle Assembly	BNT2907	Click Link
BNT1768	Clutch Button Guide Pin	BNT2872	Friction Washer	BNT2908	Click Link Pin
BNT2143	Ball Bearing	BNT2873	Star Drag	BNT2909	Pinion Gear (A)
BNT2150	Line Guide Pawl	BNT2874	Star Drag Washer	BNT2910	Yoke Spring
BNT2224	Spool Tension Spacer (A)	BNT2875	Drag Spring Washer (L)	BNT2911	Yoke
BNT2228	Multi-Purpose Screw	BNT2876	Drag Spring Washer (H)	BNT2912	Washer
BNT2425	Side Plate Open Nut	BNT2877	Bearing Thrust Washer	BNT2913	Yoke Plate
BNT2426	Open Nut Washer	BNT2878	Bearing Seal	BNT2914	Anti-Reverse Pawl
BNT2427	"O" Ring	BNT2879	Ball Bearing	BNT2915	Bushing
BNT2428	Cast Control Cap	BNT2880	Right Side Plate Screw (A)	BNT2916	One-Piece Frame
BNT2429	"O" Ring	BNT2881	Right Side Plate	BNT2917	Damper (A)
BNT2457	Pawl Cap	BNT2882	Clutch Lever	BNT2918	Worm Shaft
BNT2462	Damper Guide	BNT2884	Eccentric Cam Bushing	BNT2919	Spool Assembly
BNT2667	Drive Shaft Retainer	BNT2885	Clutch Spring	BNT2920	Idle Gear "B"
BNT2679	Handle Nut Plate	BNT2886	Clutch Cam	BNT2921	Brake Case Screw
BNT2680	Handle Nut	BNT2887	Clutch Lever Screw	BNT2922	Brake Case
BNT2683	Click Switch	BNT2888	Roller Clutch Bearing	BNT2923	Left Side Plate
BNT2699	Drive Shaft Washer (A)	BNT2889	Roller Clutch Inner Tube	BNT3009	Smoother
BNT2700	Drive Shaft Washer (B)	BNT2890	Key Washer		
BNT2701	Click Gear	BNT2891	Drag Washer (B)		
BNT2702	Worm Shaft Washer (B)	BNT2892	Drive Gear		
BNT2703	Worm Bushing (A) Retainer	BNT2893	Drag Washer (A)	BNT1715	Brake Collar (red)
BNT2704	Worm Shaft Washer (A)	BNT2894	Drag Click Plate		
BNT2705	Worm Bushing (A)	BNT2895	Drag Click Pin	BNT2738	Wrench (accessory)