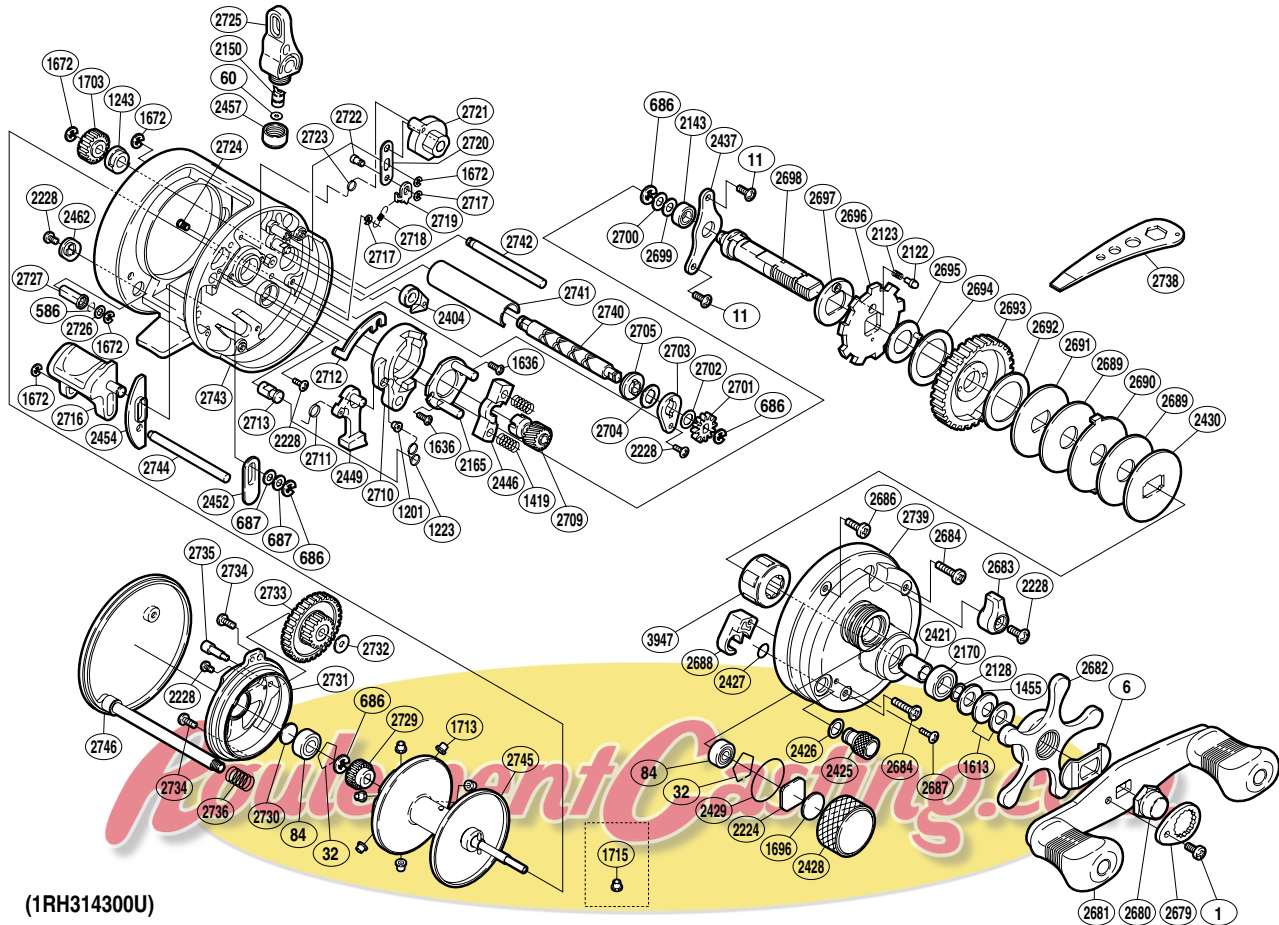


# SHIMANO

## CALCUTTA TE

## CTE-300



(1RH314300U)

Part No.	Description	Part No.	Description	Part No.	Description
BNT0001	Handle Nut Plate Screw	BNT2430	Key Washer	BNT2711	Clutch Pawl Spring
BNT0006	Friction Washer (A)	BNT2437	Drive Shaft Retainer	BNT2712	Clutch Plate
BNT0011	Drive Shaft Retainer Screw	BNT2446	Yoke	BNT2713	Retractor Spring Pin
BNT0032	Bearing Retainer	BNT2449	Clutch Pawl	BNT2716	Quick-Fire II Clutch Bar
BNT0060	Spacer (optional)	BNT2452	Clutch Bar Guide (A)	BNT2717	"E" Lock
BNT0084	Ball Bearing	BNT2454	Clutch Bar Guide (B)	BNT2718	Click Spring
BNT0586	Bolt Retainer	BNT2457	Pawl Cap	BNT2719	Click Pawl
BNT0686	Click Pawl Retainer	BNT2462	Damper Guide	BNT2720	Click Link
BNT0687	Click Pawl Spacer	BNT2679	Handle Nut Plate	BNT2721	Click Switch Cam
BNT1201	Retractor Spring Collar	BNT2680	Handle Nut	BNT2722	Click Link Pin
BNT1223	Retractor Spring	BNT2681	Handle Assembly	BNT2723	Click Switch Spring
BNT1243	Worm Bushing (B)	BNT2682	Star Drag	BNT2724	Click Spring Pin
BNT1419	Yoke Spring	BNT2683	Click Switch	BNT2725	Line Guide
BNT1455	Drag Spring Washer (H)	BNT2684	Right Side Plate Screw (A)	BNT2726	Damper Washer
BNT1613	Drag Spring Washer (L)	BNT2686	Right Side Plate Screw (B)	BNT2727	Damper (A)
BNT1636	Clutch Cam Screw	BNT2687	Cam Backing Plate Screw	BNT2729	Idle Gear (A)
BNT1672	"E" Lock	BNT2688	Cam Backing Plate	BNT2730	Spacer (B)
BNT1696	Cast Control Spacer (B)	BNT2689	Drag Washer (A)	BNT2731	Brake Case
BNT1703	Idle Gear (C)	BNT2690	Key Washer (B)	BNT2732	Idle Gear "B" Washer
BNT1713	Brake Collar (green)	BNT2691	Base Drag Disc	BNT2733	Idle Gear "B"
BNT2122	Drag Click Pin	BNT2692	Drag Washer (C)	BNT2734	Brake Case Screw
BNT2123	Drag Click Spring	BNT2693	Drive Gear	BNT2735	Idle Gear Shaft
BNT2128	Bearing Washer	BNT2694	Drag Washer (A)	BNT2736	Left Side Plate Spring
BNT2143	Ball Bearing	BNT2695	Drag Click Plate	BNT2739	Right Side Plate
BNT2150	Line Guide Pawl	BNT2696	Anti-Reverse Ratchet	BNT2740	Worm Shaft
BNT2165	Clutch Cam Retainer	BNT2697	Drag Click Pin Holder	BNT2741	Level Wind Guard
BNT2170	Star Drag Bearing	BNT2698	Drive Shaft	BNT2742	Level Wind Guide
BNT2224	Spool Tension Spacer (A)	BNT2699	Drive Shaft Washer (A)	BNT2743	One-Piece Frame
BNT2228	Clutch Cam Screw	BNT2700	Drive Shaft Washer (B)	BNT2744	Clutch Bar Support
BNT2404	Anti-Reverse Pawl	BNT2701	Click Gear	BNT2745	Spool Assembly
BNT2421	Roller Clutch Inner Tube	BNT2702	Worm Shaft Washer (B)	BNT2746	Left Side Plate
BNT2425	Side Plate Open Nut	BNT2703	Worm Bushing (A) Retainer	BNT3947	Roller Clutch Bearing
BNT2426	Open Nut Washer	BNT2704	Worm Shaft Washer (A)		
BNT2427	"O" Ring	BNT2705	Worm Bushing (A)	BNT1715	Brake Collar (red)
BNT2428	Cast Control Cap	BNT2709	Pinion Gear (A)		
BNT2429	"O" Ring	BNT2710	Clutch Cam	BNT2738	Wrench (accessory)