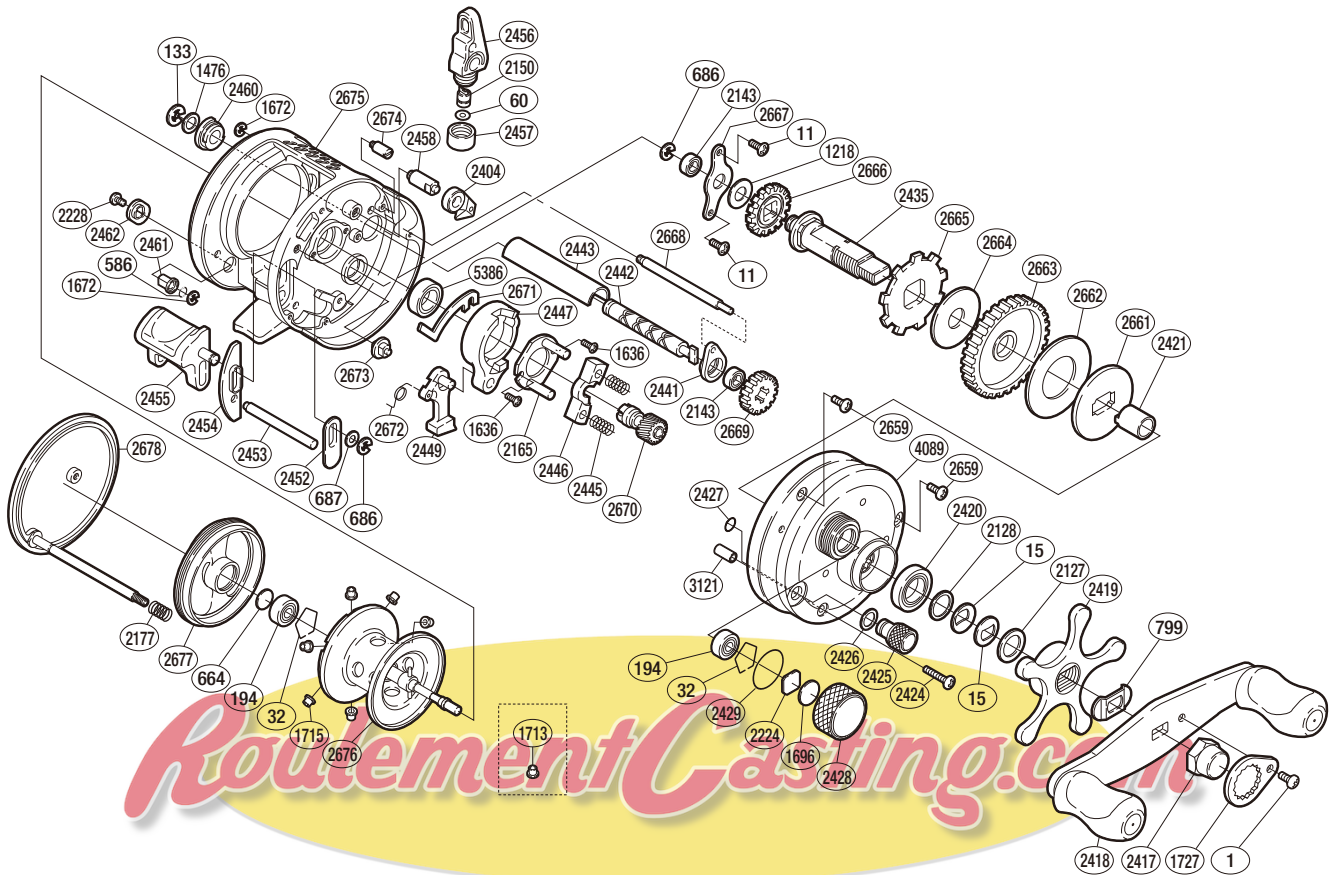


SHIMANO

CALCUTTA TE

CTE-100GT



Part No.	Description	Part No.	Description	Part No.	Description
BNT0001	Handle Nut Plate Screw	BNT2404	Anti-Reverse Pawl	BNT2460	Worm Bushing (B)
BNT0011	Drive Shaft Retainer Screw	BNT2417	Handle Nut	BNT2461	Damper (A)
BNT0015	Drag Spring Washer	BNT2418	Handle Assembly	BNT2462	Damper Guide
BNT0032	Bearing Retainer	BNT2419	Star Drag	BNT2659	Right Side Plate Screw (short)
BNT0060	Spacer (optional)	BNT2420	Star Drag Bearing	BNT2661	Key Washer
BNT0133	Worm Shaft Retainer	BNT2421	Roller Clutch Inner Tube	BNT2662	Drag Washer (C)
BNT0194	Ball Bearing	BNT2424	Right Side Plate Screw (long)	BNT2663	Drive Gear
BNT0586	Bolt Retainer	BNT2425	Side Plate Open Nut	BNT2664	Drag Washer (A)
BNT0664	Spacer (B)	BNT2426	Open Nut Washer	BNT2665	Anti-Reverse Ratchet
BNT0686	"E" Lock	BNT2427	"O" Ring	BNT2666	Idle Gear (A)
BNT0687	Spacer	BNT2428	Cast Control Cap	BNT2667	Drive Shaft Retainer
BNT0799	Friction Washer	BNT2429	"O" Ring	BNT2668	Level Wind Guide
BNT1218	Idle Gear (A) Spacer	BNT2435	Drive Shaft	BNT2669	Idle Gear (C)
BNT1476	Worm Shaft Spacer	BNT2441	Worm Bushing (A)	BNT2670	Pinion Gear
BNT1636	Clutch Cam Screw	BNT2442	Worm Shaft	BNT2671	Clutch Plate
BNT1672	"E" Lock	BNT2443	Level Wind Guard	BNT2672	Clutch Pawl Spring
BNT1696	Cast Control Spacer (B)	BNT2445	Yoke Spring	BNT2673	Set Pin
BNT1715	Brake Collar (red)	BNT2446	Yoke	BNT2674	Pawl Stop
BNT1727	Handle Nut Plate	BNT2447	Clutch Cam	BNT2675	One-Piece Frame
BNT2127	Star Drag Spacer	BNT2449	Clutch Pawl	BNT2676	Spool Assembly
BNT2128	Bearing Washer	BNT2452	Clutch Bar Guide (A)	BNT2677	Brake Case
BNT2143	Ball Bearing	BNT2453	Clutch Bar Support	BNT2678	Left Side Plate
BNT2150	Line Guide Pawl	BNT2454	Clutch Bar Guide (B)	BNT3121	Side Plate Screw Collar
BNT2165	Clutch Cam Retainer	BNT2455	Quick-Fire II Clutch Bar	BNT4089	Right Side Plate
BNT2177	Left Side Plate Spring	BNT2456	Line Guide	BNT5386	Ball Bearing
BNT2224	Spool Tension Spacer (A)	BNT2457	Pawl Cap		
BNT2228	Damper Guide Screw	BNT2458	Anti-Reverse Pawl Pin	BNT1713	Brake Collar (green)