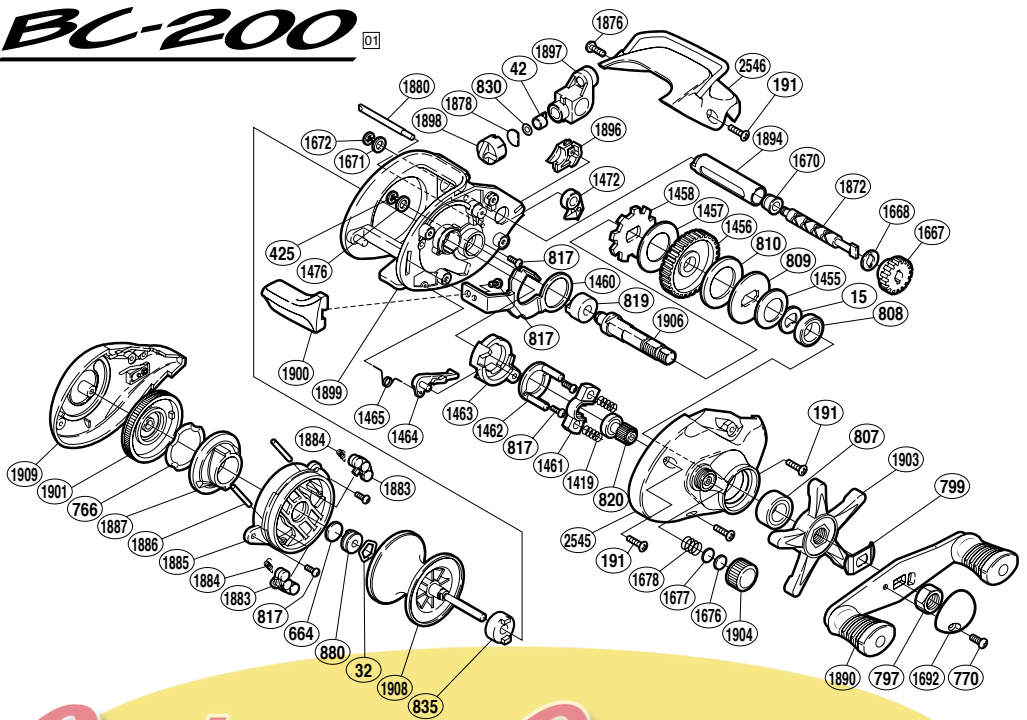


# BC-200 01



RoulementCasting.com

BNT No.	PARTS NAMES	BNT No.	PARTS NAMES	BNT No.	PARTS NAMES
0015	Drag Spring Washer	1456	Drive Gear	1878	Pawl Cap Spacer
0032	Bearing Retainer	1457	Drive Shaft Washer (B)	1880	Stabilizer Bar
0042	Line Guide Pawl	1458	Anti-Reverse Ratchet	1883	Magnet Retainer
0191	Multi-Purpose Screw	1460	Clutch Plate	1884	Magnet Retainer Spring
0425	Drive Gear Retainer	1461	Yoke	1885	Dial Case
0664	Spacer (B)	1462	Clutch Cam Retainer	1886	Magnet Retainer Shaft
0766	Dial Friction Washer	1463	Clutch Cam	1887	Brake Cam
0770	Handle Nut Plate Screw	1464	Clutch Pawl	1890	Handle Assembly
0797	Handle Nut	1465	Clutch Pawl Spring	1894	Level Wind Guard
0799	Friction Washer	1472	Anti-Reverse Pawl	1896	Drive Shaft Cover
0807	Drive Shaft Bearing	1476	Drive Shaft Washer (D)	1897	Line Guide
0808	Friction Washer (B)	1667	Worm Gear	1898	Pawl Cap
0809	Key Washer	1668	Worm Shaft Washer (A)	1899	One-Piece Frame
0810	Drag Washer	1670	Worm Bushing	1900	Quick-Fire II Clutch Bar
0817	Multi-Purpose Screw	1671	Worm Shaft Washer (B)	1901	Magnetic Control Dial
0819	Drive Shaft Bushing	1672	"E" Lock	1903	Star Drag
0820	Pinion Gear	1676	Spool Tension Spacer (B)	1904	Cast Control Cap
0830	Spacer (optional)	1677	Spool Tension Spacer (A)	1906	Drive Shaft
0835	Spool Shaft Bushing (B)	1678	Spool Tension Spring	1908	Spool
0880	Spool Shaft Bushing	1692	Handle Nut Plate	1909	Left Side Plate
1419	Yoke Spring	1872	Worm Shaft	2545	Right Side Plate
1455	Drag Spring Washer	1876	Thumb Rest Screw	2546	Thumb Rest