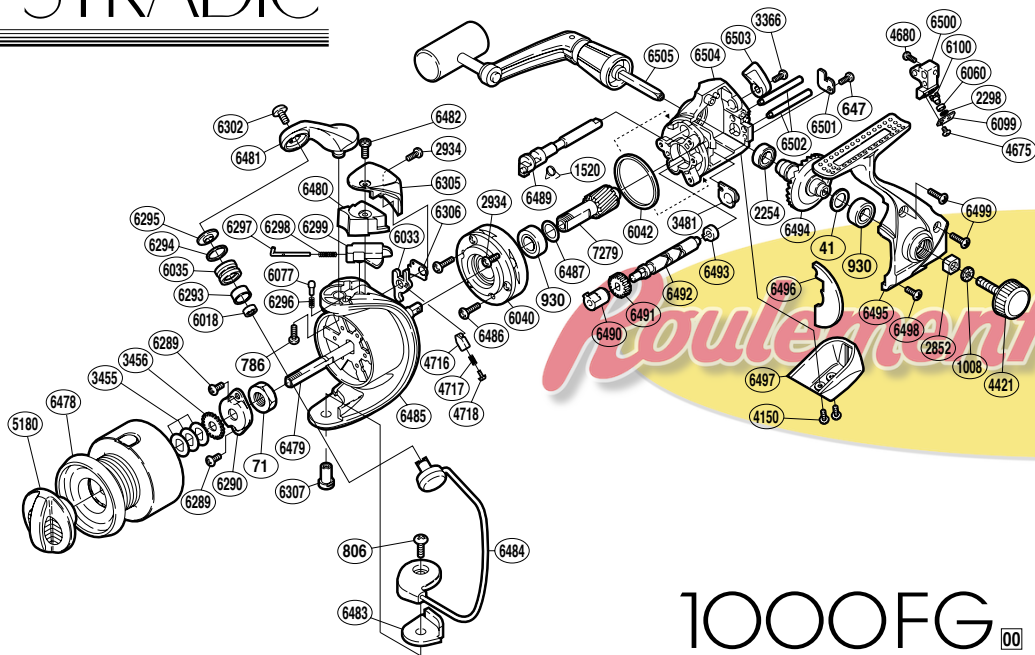


# STRADIC



## 1000FG 00

| RD No. | PARTS NAMES                  | RD No. | PARTS NAMES                | RD No. | PARTS NAMES              |
|--------|------------------------------|--------|----------------------------|--------|--------------------------|
| 0041   | Drive Gear Washer            | 6033   | Bail Trip Lever            | 6482   | Protector Screw          |
| 0071   | Rotor Nut                    | 6035   | Line Roller                | 6483   | Bail Hold Support Spacer |
| 0647   | Worm Shaft Retainer Screw    | 6040   | Roller Clutch Assembly     | 6484   | Bail Assembly            |
| 0786   | Bail Arm Screw               | 6042   | Friction Ring              | 6485   | Rotor                    |
| 0806   | Bail Hold Support Screw      | 6060   | Oscillating Slider Bushing | 6486   | Roller Clutch Screw      |
| 0930   | Ball Bearing                 | 6077   | Click Pin                  | 6487   | Adjusting Washer         |
| 1008   | Handle Lock Washer           | 6099   | Oscillating Pawl Cover     | 6489   | Anti-Reverse Cam         |
| 1520   | Anti-Reverse Cam Spring      | 6100   | Oscillating Pawl           | 6490   | Worm Bushing (front)     |
| 2254   | Ball Bearing                 | 6289   | Nut Lock Screw             | 6491   | Idle Gear                |
| 2298   | Spacer                       | 6290   | Rotor Nut Lock Plate       | 6492   | Worm Shaft               |
| 2852   | Handle Screw Lock            | 6293   | Line Roller Bushing        | 6493   | Worm Bushing (rear)      |
| 2934   | Multi-Purpose Screw          | 6294   | Line Roller Spacer         | 6494   | Drive Gear               |
| 3366   | Anti-Reverse Lever Screw     | 6295   | Line Roller Washer         | 6495   | Side Cover               |
| 3455   | Spool Washer                 | 6296   | Click Spring               | 6496   | Side Cover Flange        |
| 3456   | Spool Support                | 6297   | Bail Spring Guide (A)      | 6497   | Rear Protector           |
| 3481   | Bushing                      | 6298   | Bail Spring                | 6498   | Side Cover Screw (short) |
| 4150   | Rear Protector Screw         | 6299   | Bail Spring Guide (B)      | 6499   | Side Cover Screw (long)  |
| 4421   | Handle Screw Cap             | 6302   | Line Roller Screw          | 6500   | Oscillating Slider       |
| 4675   | Oscillating Pawl Cover Screw | 6305   | Rotor Protector            | 6501   | Worm Shaft Retainer      |
| 4680   | Slider Retainer Screw        | 6306   | Trip Lever Spacer          | 6502   | Oscillating Guide        |
| 4716   | Lever Spring Guide (B)       | 6307   | Bail Hold Support Shaft    | 6503   | Anti-Reverse Lever       |
| 4717   | Lever Spring                 | 6478   | Spool Assembly             | 6504   | Body                     |
| 4718   | Lever Spring Guide (A)       | 6479   | Main Shaft                 | 6505   | Handle Assembly          |
| 5180   | Drag Knob                    | 6480   | Bail Spring Cover          | 7279   | Pinion Gear              |
| 6018   | Ball Bearing                 | 6481   | Bail Arm                   |        |                          |

(121109)