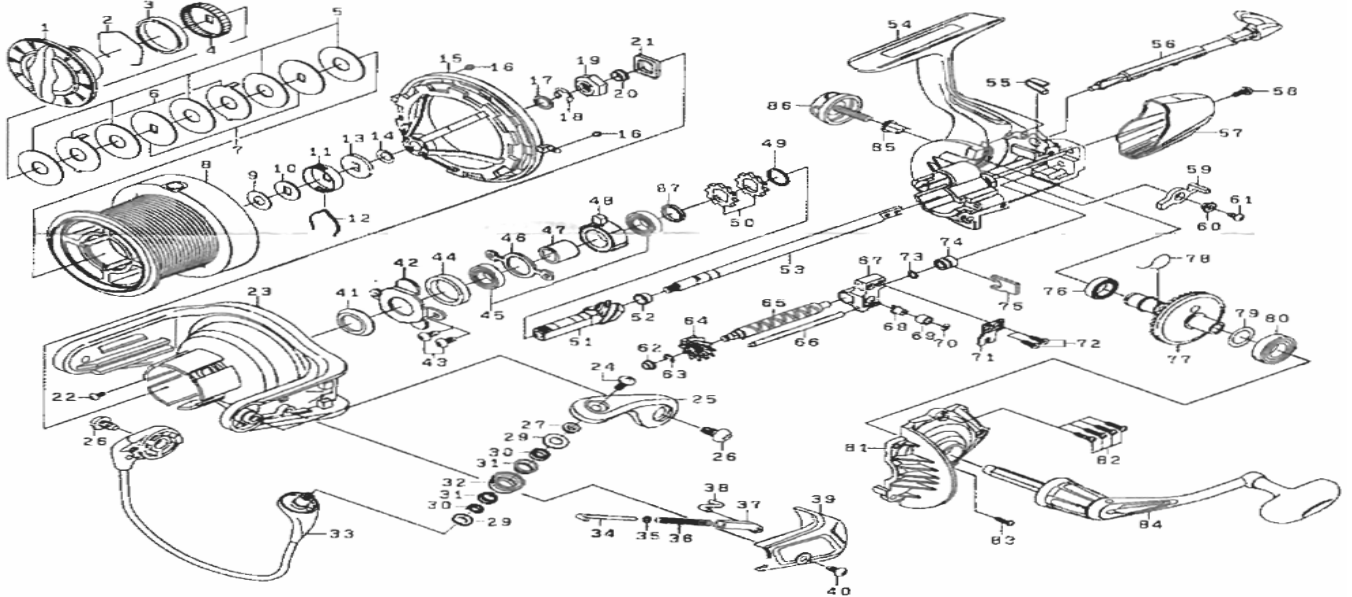


Please order by parts number, not key number
 Veuillez indiquer le numéro de la pièce (Non "Key" No.)



SPINNING REEL

WINDCAST Z5000/Z5500



Key No.	Parts No.	Parts Name	Key No.	Parts No.	Parts Name
1	H43-4401	Drag Knob	48	G84-5601	Roller Clutch
2	F88-4001	Drag Washer Retainer	49	E33-9701	Washer (F)
3	G51-2601	Collar (A)	50	G17-6702	Ratchet
4	G42-1401	Drag Ratchet	51	H40-8901	Pinion Gear
5	F75-5503	Drag washer	52	G40-0401	Collar (G)
6	F75-5701	Eared Washer	53	H35-5901	Main Shaft
7	F88-1702	Key Washer	54	H43-4001	Body
2-8	H43-4601	Spool Assembly	55	H10-2301	Anti-Reverse Cam Spring
9	E39-9200	Washer (A)	56	H35-4504	Anti-Reverse Lever
10	F04-3402	Washer (B)	57	H35-6502	Rear Cover
11	F20-4001	Cap	58	E36-4202	Screw (F)
12	F70-4902	Spool Click Leaf Spring	59	H35-4301	Anti-Reverse Pawl
13	E26-7501	Washer (C)	60	H35-4401	Collar (H)
14	G87-8201	Spring Washer	61	B00-8601	Screw (G)
15	H35-7502	Line Guard	62	H35-4701	Collar (I)
16	B85-3101	"O" Ring	63	320-5901	Worm Shaft Retainer (A)
17	G40-8301	Washer (D)	64	H40-9001	Worm Shaft Gear
18	320-1611	Retainer	65	H35-9901	Worm Shaft
19	H05-0001	Rotor Nut	66	H35-4901	Stabilizer Bar
20	H35-7401	Collar (B)	67	H35-5601	Oscillating Slider
21	G39-2201	Plate	68	H35-5701	Oscillating Pawl
22	G17-1402	Screw (A)	69	H35-5801	Collar (J)
23	H35-6604	Rotor	70	375-0800	Washer (G)
24	E45-4007	Screw (B)	71	H35-6001	Oscillating Slider Cover
25	H35-6904	Bail Arm	72	352-1505	Screw (H)
26	G45-5601	Screw (C)	73	B41-1700	Washer (H)
27	G74-0701	Collar (C)	74	H35-4801	Collar (K)
29	G74-0501	Packing (A)	75	H35-5001	Worm Shaft Retainer (B)
30	G37-0905	Ball Bearing (A)	76	G15-6803	Ball Bearing (C)
31	G74-0601	Collar (E)	77	H40-8701	Drive Gear
32	G74-0402	Line Roller	78	H35-6201	Anti-Reverse Pawl Spring
33	H39-5701	Bail Assembly	79	B27-0700	Washer (I)
34	H10-5602	Bail Spring Shaft	80	G47-2501	Ball Bearing (D)
35	E31-3901	Washer (E)	81	H43-4101	Side Cover
36	H10-5801	Bail Spring	82	G41-0701	Screw (I)
37	H35-6801	Bail Spring Holder	83	B00-8601	Screw (J)
38	H35-6701	Shaft	84	H43-4901	Handle Assembly
39	H35-7002	Cover	85	F40-9001	Color (L)
40	G20-5101	screw (D)	86	H47-7502	Handle Screw
41	H44-6101	Packing (B)	87	G05-9201	Washer (J)
42	H35-5501	Bearing Retainer	2-8	H43-4601	Spool Assembly (Extra Spool)
43	L00-1801	Screw (E)			
44	H35-5401	Collar (F)			
45	B54-6002	Ball Bearing (B)			
46	H35-5301	Clutch Cam Retainer			
47	H35-5201	Spacing Sleeve			

WINDCAST Z5500 Special Parts

Key No.	Parts No.	Parts Name
2-8	H43-4801	Spool Assembly
2-8	H43-4801	Spool Assembly (Extra Spool)