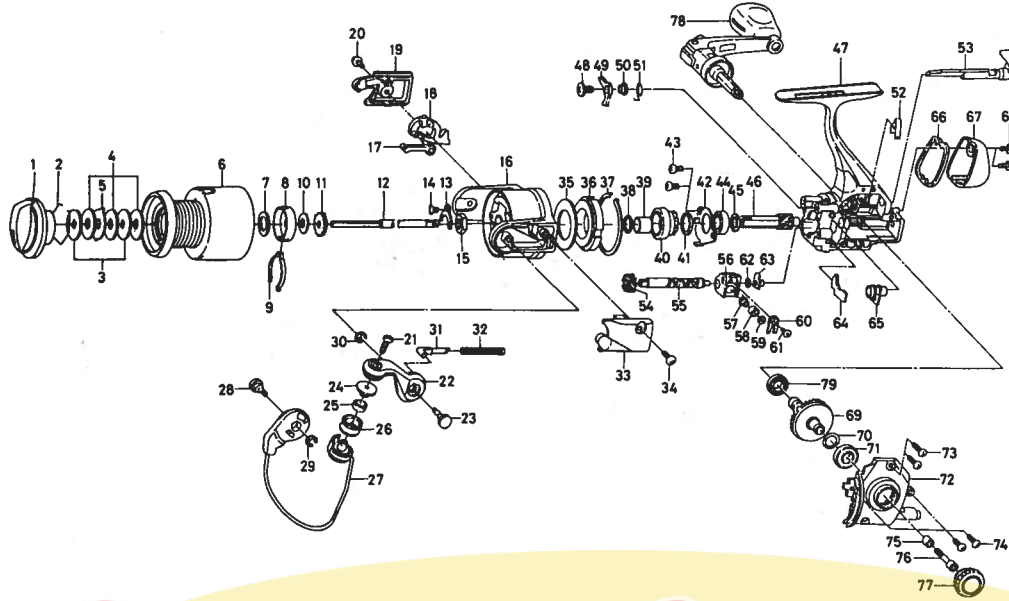


# SPINNING REEL TEAM DAIWA-X2500i



Key NO.	Parts No.	Parts Name	Key NO.	Parts No.	Parts Name
2-6	E27-2213	Spool assembly	40	F15-1201	Anti-reverse ratchet
1	F17-0907	Drag knob	41	F26-8501	Bearing washer
2	171-7701	Drag washer retainer	42	F15-1102	Bearing retainer
3	E13-6101	Key washer	43	F21-2201	Bearing retainer screw
4	E13-6001	Drag washer	44	636-6401	Ball bearing B
5	E13-6201	Eared washer	45	F26-3101	Pinion washer
6	E27-2313	Spool assembly	46	F16-2502	Pinion gear
7	E39-4001	Spool washer	47	F26-4002	Body assembly
8	E12-2303	Click leaf spring holder	48	L00-1801	Anti-reverse pawl screw
9	B74-7702	Spool click leaf spring	49	F15-1501	Anti-reverse pawl
10	375-4201	Main shaft washer	50	F15-8301	Anti-reverse pawl collar
11	E36-5301	Click gear	51	F15-1601	Anti-reverse pawl spring
12	E50-2102	Main shaft	52	E26-8701	Anti-reverse cam spring
13	B99-5101	Rotor nut holding plate	53	F16-2803	Anti-reverse lever
14	351-1804	Rotor nut holding plate screw	54	E41-7101	Worm shaft gear
15	341-9204	Rotor nut	55	F30-6602	Worm shaft
16	F30-6702	Rotor	56	F02-4301	Oscillating slider
17	F01-4301	Bail trip plate	57	E19-1202	Oscillating pawl
18	F01-4401	Bail trip lever	58	E19-1301	Oscillating pawl bush
19	F17-6907	Bail trip cover	59	375-0801	Oscillating pawl washer
20	F38-5103	Bail trip cover screw	60	E24-4901	Oscillating slider cover
21	B67-9306	Line roller screw	61	E15-0203	Oscillating slider cover screw
22	F17-6505	Bail arm	62	B53-6102	Worm shaft washer
23	F15-2501	Bail arm screw	63	F05-6901	Worm shaft collar
24	F06-6302	Line roller collar	64	F08-7201	Shield plate
25	F05-5601	Ball bearing A	65	F08-7101	Pinion collar
26	F30-5101	Line roller	66	F16-3905	Water shield
27	F32-9601	Bail assembly	67	F16-4005	Rear cover
28	F15-2501	Bail trip cam screw	68	E24-8103	Rear cover screw
29	320-5901	Bail trip cam screw retainer	69	F00-7103	Drive gear
30	320-5901	Bail arm screw retainer	70	375-8501	Drive gear washer
31	F24-6801	Bail spring shaft	71	637-5701	Ball bearing C
32	F26-8301	Bail spring	72	F17-6203	Side cover
33	F17-6607	Bail spring cover	73	E13-0503	Side cover screw A
34	E24-8103	Bail spring cover screw	74	E13-0501	Side cover screw B
35	F19-7202	Oiled washer	75	F16-9301	Handle collar
36	F15-3301	Roller clutch	76	F30-3701	Handle screw
37	F21-2501	Roller clutch retainer	77	F32-9901	Handle screw cap
38	375-8507	Spacing sleeve A	78	F32-9701	Handle assembly
39	F15-5101	Spacing sleeve B	79	E30-6801	Ball bearing D