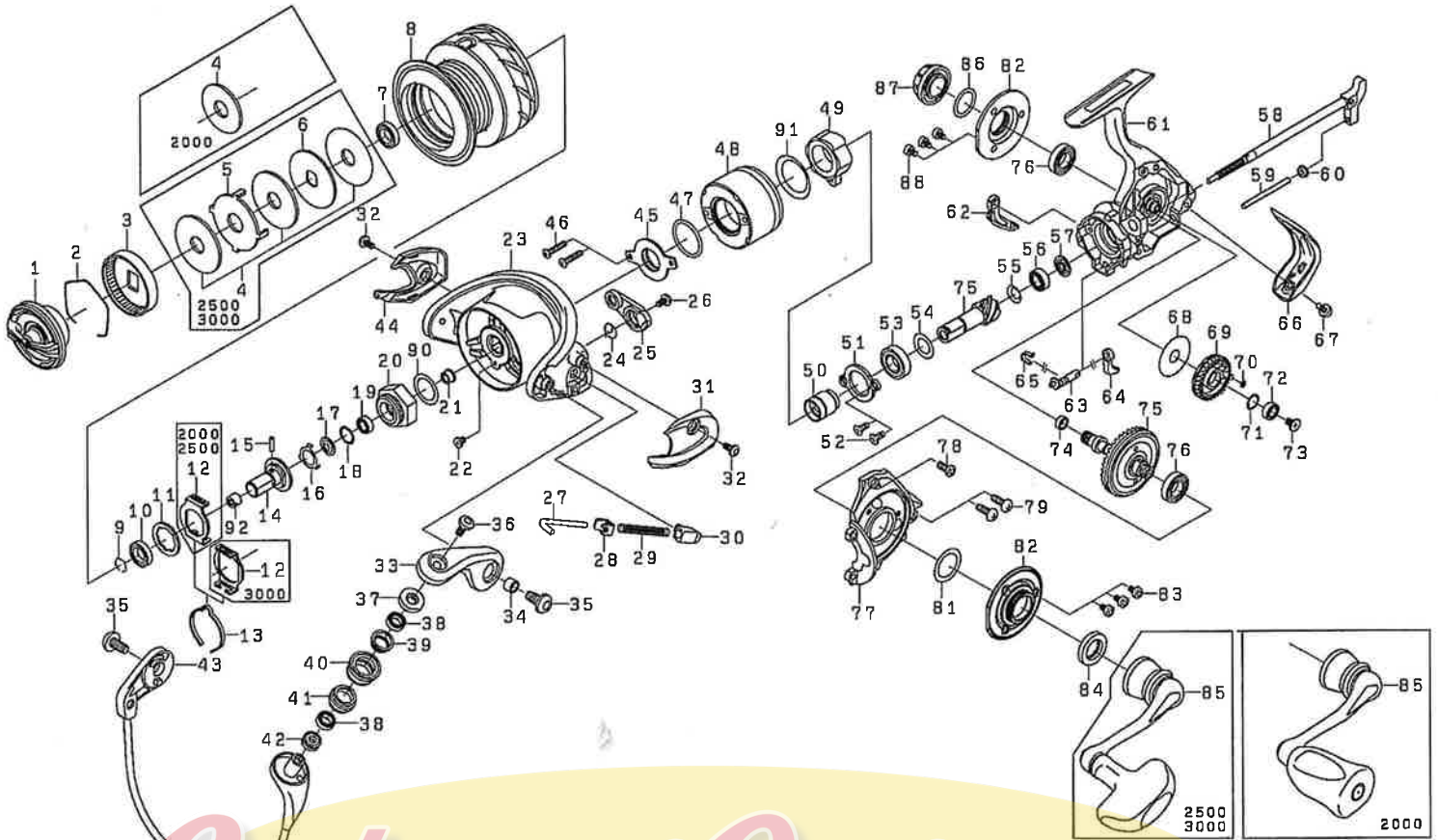




SPINNING REEL



ReulementCasting.com

TD BATTLE 2000/2500/3000

*Please order by parts number, not key number.

| Key No. | Parts Name | 2000 Parts No. | 2500 Parts No. | 3000 Parts No. | Key No. | Parts Name | 2000 Parts No. | 2500 Parts No. | 3000 Parts No. |
|---------|--------------------------|----------------|----------------|----------------|---------|--------------------------|----------------|----------------|----------------|
| 1 | Drag knob | 6J276701 | 6J277201 | 6J277201 | 46 | Screw(F) | 6H596502 | 6H596502 | 6H596502 |
| 2 | Drag Washer Retainer | 6F742501 | 6F710001 | 6F710001 | 47 | "O"Ring(A) | 6H741401 | 6H741401 | 6H741401 |
| 3 | Drag Knob Click Plate | 6F908704 | 6F895307 | 6F895307 | 48 | Cover(C) | 6H836503 | 6H836503 | 6H836503 |
| 4 | Drag washer | 6H806401 | 6H806501 | 6H806701 | 49 | Roller Clutch | 6H412601 | 6H412601 | 6H412601 |
| 5 | Eared Washer | - | 6F635201 | 6F627301 | 50 | Spacing Sleeve | 6H879601 | 6H879601 | 6H879601 |
| 6 | Key Washer | - | 6F635101 | 6F627201 | 51 | Bearing Retainer(C) | 6H739101 | 6H739101 | 6H739101 |
| 7 | Ball Bearing(A) | 6E306801 | 6E306801 | 6E306801 | 52 | Screw(G) | 6G997301 | 6G997301 | 6G997301 |
| 8 | Spool Assembly(2-8) | 6J277401 | 6J277801 | 6J294901 | 53 | Ball Bearing(E) | 6G279602 | 6G279602 | 6G279602 |
| 9 | Bearing Retainer(A) | 6G472401 | 6G472401 | 6G472401 | 54 | Washer(C) | 63758500 | 63758500 | 6H411400 |
| 10 | Ball Bearing(B) | 6E306801 | 6E306801 | 6E306801 | 55 | Spring Washer | 6H814900 | 6H814900 | 6G572500 |
| 11 | Washer(A) | 6H806300 | 6H806300 | 6H806300 | 56 | Ball Bearing(F) | 6H738902 | 6H738902 | 6G467101 |
| 12 | Click Leaf Spring Holder | 6H416001 | 6H416001 | 6H416001 | 57 | Collar(E) | 6H411201 | 6H411201 | 6H459401 |
| 13 | Spool Click Leaf Spring | 6H416101 | 6H416101 | 6H416101 | 58 | Main Shaft | 6J180001 | 6J180201 | 6J180601 |
| 14 | Spool Metal | 6H415901 | 6H415901 | 6J181401 | 59 | Oscillating Post | 6H738701 | 6H738701 | 6H778701 |
| 15 | Pin | 6G375001 | 6G375001 | 6G375001 | 60 | Collar(F) | 6H738801 | 6H738801 | 6H778801 |
| 16 | Bearing Retainer(B) | 6G471501 | 6G471501 | 6G471501 | 61 | Body | 6J121802 | 6J121802 | 6J294601 |
| 17 | Packing(A) | 6H415701 | 6H415701 | 6H461201 | 62 | Bail Trip Plate | 6H754301 | 6H737801 | 6H737801 |
| 18 | Washer(B) | 6G466103 | 6G466103 | 6G466103 | 63 | Anti-Reverse Cam | 6H738201 | 6H738201 | 6H738201 |
| 19 | Ball Bearing(C) | 6G466205 | 6G466205 | 6G466205 | 64 | Anti-Reverse Lever | 6H410106 | 6H410106 | 6H410106 |
| 20 | Rotor Nut | 6H806201 | 6H805801 | 6H805801 | 65 | Anti-Reverse Cam Spring | 6H809201 | 6H809201 | 6H809201 |
| 21 | Collar(A) | 6H854701 | 6H854801 | 6H854901 | 66 | Rear Cover | 6H836702 | 6H836702 | 6H850702 |
| 22 | Screw(A) | 6H022701 | 6H022701 | 6H022701 | 67 | Screw(H) | 6H836801 | 6H836801 | 6H850801 |
| 23 | Rotor | 6H754605 | 6H741810 | 6H779707 | 68 | Washer(D) | 6H607902 | 6H607902 | 6H545402 |
| 24 | Bail Trip Lever Spring | 6H443301 | 6H413601 | 6H413601 | 69 | Oscillating Gear | 6H788901 | 6H738301 | 6H458902 |
| 25 | Bail Trip Lever | 6H754701 | 6H741901 | 6H779801 | 70 | "O"Ring(B) | 6G683301 | 6G683301 | 6G689601 |
| 26 | Screw(B) | 6H417701 | 6H417701 | 6H417701 | 71 | Washer(E) | 6H129200 | 6H129200 | 6G466100 |
| 27 | Bail Spring Shaft | 6H754901 | 6H742101 | 6H780001 | 72 | Ball Bearing(G) | 6G469005 | 6G469005 | 6G466202 |
| 28 | Bail Spring Plate | 6H576101 | 6H576101 | 6H576101 | 73 | Screw(I) | 6G997001 | 6G997001 | 6G997001 |
| 29 | Bail Spring | 6H442401 | 6H545701 | 6H414201 | 74 | Ring | 6H455601 | 6H455601 | 6H459901 |
| 30 | Bail Spring Holder | 6H414301 | 6H414301 | 6H414301 | 75 | Pinion Gear + Drive Gear | 6Z021281 | 6Z021282 | 6Z021372 |
| 31 | Cover(A) | 6H755001 | 6H742501 | 6H780101 | 76 | Ball Bearing(H) | 6H739703 | 6H739703 | 6H739703 |
| 32 | Screw(C) | 6H741702 | 6H741702 | 6H741702 | 77 | Side Cover | 6H740106 | 6H740106 | 6H779506 |
| 33 | Bail Arm | 6H742210 | 6H742210 | 6H742210 | 78 | Screw(J) | 63511010 | 63511010 | 63511010 |
| 34 | Collar(B) | 6H742301 | 6H742301 | 6H742301 | 79 | Screw(K) | 6G997701 | 6G997701 | 6G997701 |
| 35 | Screw(D) | 6H656102 | 6H656102 | 6H656102 | 81 | Washer(F) | 6G468000 | 6G468000 | 6G468000 |
| 36 | Screw(E) | 6H744201 | 6H744201 | 6H742201 | 82 | Bearing Retainer(D) | 6J285802 | 6J285802 | 6J294701 |
| 37 | Magnet Assembly(A) | 6H744001 | 6H744001 | 6H744001 | 83 | Screw(L) | 6H740301 | 6H740301 | 6H740301 |
| 38 | Ball Bearing(D) | 6G686903 | 6G686903 | 6G686903 | 84 | Packing(B) | 6H866201 | 6H866201 | 6H866201 |
| 39 | Collar(C) | 6H743901 | 6H743901 | 6H743901 | 85 | Handle Assembly | 6J277301 | 6J277701 | 6J294801 |
| 40 | Line Roller | 6H743801 | 6H743801 | 6H743801 | 86 | "O"Ring(C) | 6G399702 | 6G399702 | 6G399702 |
| 41 | Collar(D) | 6H743701 | 6H743701 | 6H743701 | 87 | Handle Screw Cap | 6H745101 | 6H745101 | 6H745101 |
| 42 | Magnet Assembly(B) | 6H743401 | 6H743401 | 6H743401 | 88 | Screw(M) | 6H740001 | 6H740001 | 6H740001 |
| 43 | Bail Assembly | 6H892501 | 6H870301 | 6H889801 | 90 | Washer(G) | 63727601 | 63712824 | 63712824 |
| 44 | Cover(B) | 6H755501 | 6H743301 | 6H780601 | 91 | Washer(H) | 6H979201 | 6H979201 | 6H979201 |
| 45 | Magnet Assembly(C) | 6H740901 | 6H740901 | 6H740901 | 92 | Spool Metal Nut | 6J180801 | 6J180801 | 6J278101 |