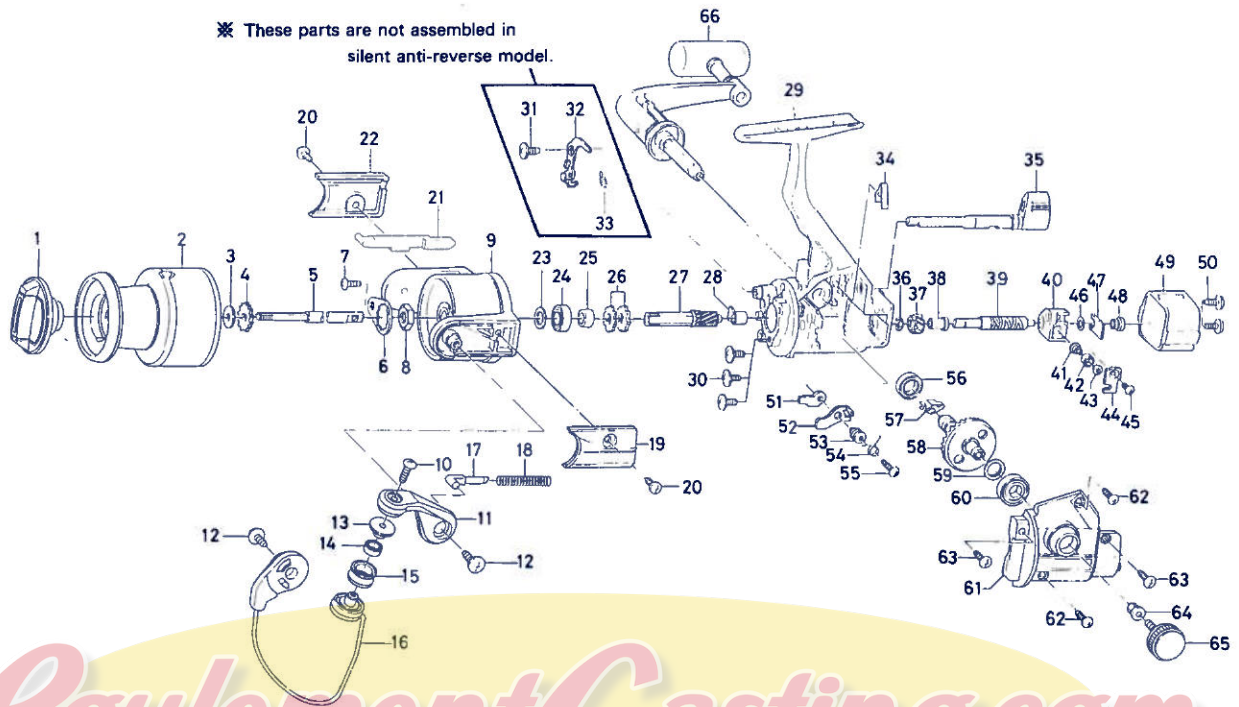


SPINNING REEL — SS850



Key

No.	Part No.	Part Name
1	E37-8801	Drag knob
2	E44-9901	Spool
3	E39-7901	Spool washer
4	E41-3101	Click gear
5	E37-7002	Main shaft
6	B66-2601	Rotor nut holding plate
7	B93-3001	Rotor nut holding plate screw
8	B10-5701	Rotor nut
9	F01-1104	Rotor
10	B67-9305	Line roller screw
11	F05-8201	Bail arm
12	E00-7102	Bail arm screw
13	F06-6301	Line roller collar
14	F05-5601	Ball bearing A
15	F05-8901	Line roller
16	F08-3401	Bail
17	E36-4401	Bail spring shaft
18	E39-0601	Bail spring
19	E37-7904	Bail spring cover
20	E36-4201	Bail spring cover screw
21	F01-1601	Bail trip lever
22	E37-8205	Bail trip cover
23	371-2827	Bearing washer
24	635-4801	Ball bearing B
25	F08-3201	Spacing sleeve
26	E37-6701	Anti-reverse ratchet
27	E44-6901	Pinion gear
28	B88-0001	Pinion holder
29	F08-3101	Body
30	E03-7801	Bearing retainer screw
34	E26-8701	Anti-reverse cam spring
35	E37-6001	Anti-reverse lever

Key

No.	Part No.	Part Name
36	320-5901	Worm shaft gear retainer
37	E44-8201	Worm shaft gear
38	E45-1101	Worm shaft bush
39	E37-6402	Worm shaft
40	E37-6301	Oscillating slider
41	E19-1202	Oscillating pawl
42	E19-1301	Oscillating pawl bush
43	375-0800	Oscillating pawl washer
44	E37-6901	Oscillating slider cover
45	E40-1501	Oscillating slider cover screw
46	375-4100	Worm shaft washer
47	E36-3801	Worm shaft retainer
48	E39-3601	Worm shaft collar
49	E37-7602	Rear cover
50	E24-8102	Rear cover screw
51	B96-5301	Anti-reverse pawl plate
52	E27-7002	Anti-reverse pawl
53	B96-5501	Anti-reverse pawl collar
54	B96-5601	Anti-reverse pawl spring A
55	B00-9701	Anti-reverse pawl screw
56	B86-1701	Ball bearing C
57	E37-7202	Anti-reverse pawl spring B
58	E44-7001	Drive gear
59	373-7800	Drive gear washer
60	E15-4001	Ball bearing D
61	F08-3301	Left side cover
62	E15-8601	Left side cover screw A
63	E15-8602	Left side cover screw B
64	E12-7501	Handle collar
65	F03-5602	Handle lock screw
66	F08-3601	Handle assembly