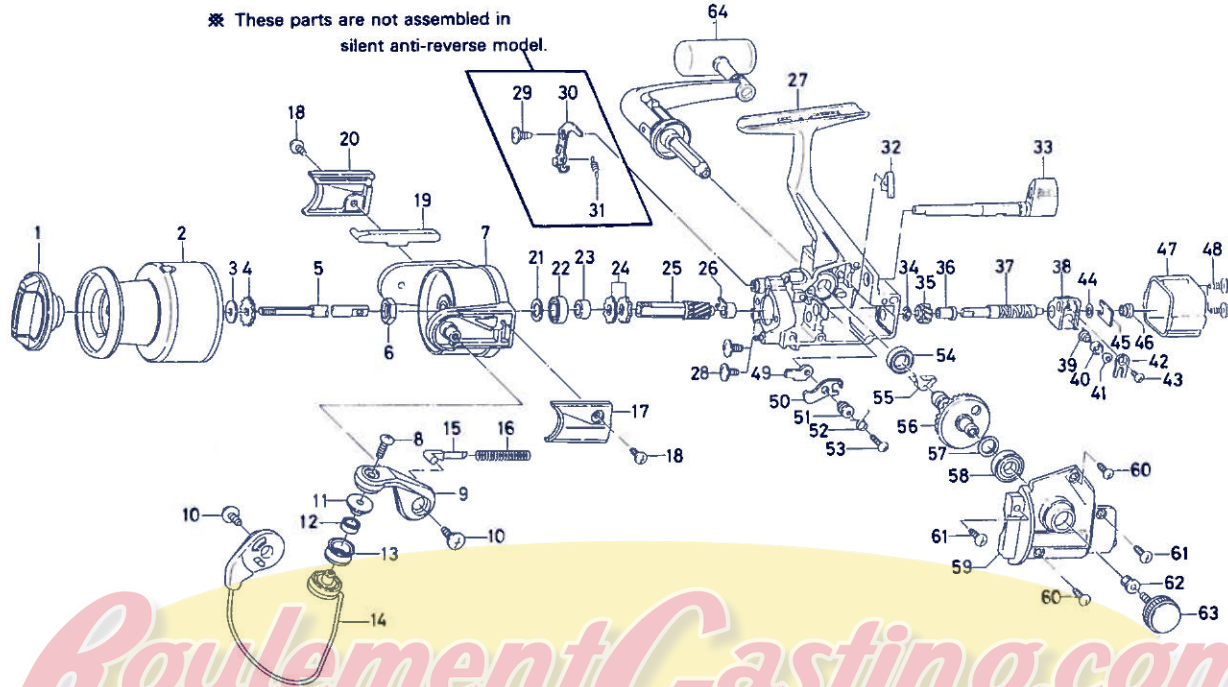


SPINNING REEL – SS750



Key No.	Part No.	Part Name
1	E36-5801	Drag knob
2	E44-5901	Spool
3	E39-4001	Spool washer
4	E36-5301	Click gear
5	E36-3902	Main shaft
6	341-9201	Rotor nut
7	F07-9701	Rotor
8	B67-9305	Line roller screw
9	F05-8201	Bail arm
10	E00-7102	Bail arm screw
11	F06-6301	Lever roller collar
12	F05-5601	Ball bearing A
13	F05-8901	Line roller
14	F07-9801	Bail
15	E36-4401	Bail spring shaft
16	E39-0501	Bail spring
17	E36-4606	Bail spring cover
18	E36-4201	Bail spring cover screw
19	E36-5001	Bail trip lever
20	E36-5107	Bail trip cover
21	375-8503	Bearing washer
22	636-6401	Ball bearing B
23	E36-3601	Spacing sleeve
24	E27-1501	Anti-reverse ratchet
25	E41-7002	Pinion gear
26	E24-3301	Pinion holder
27	F07-9301	Body
28	E03-7801	Bearing retainer screw
32	E26-8701	Anti-reverse cam spring
33	E36-3216	Anti-reverse lever
34	B33-9801	Worm shaft gear retainer

Key No.	Part No.	Part Name
35	E41-7101	Worm shaft gear
36	E39-3501	Worm shaft bush
37	E42-6101	Worm shaft
38	F02-4301	Oscillating slider
39	E19-1202	Oscillating pawl
40	E19-1301	Oscillating pawl bush
41	375-0800	Oscillating pawl washer
42	E24-4901	Oscillating slider cover
43	E15-0203	Oscillating slider cover screw
44	375-4100	Worm shaft washer
45	E36-3801	Worm shaft retainer
46	E39-3601	Worm shaft collar
47	E36-4002	Rear cover
48	E24-8102	Rear cover screw
49	B95-9301	Anti-reverse pawl plate
50	E27-1301	Anti-reverse pawl
51	B95-9501	Anti-reverse pawl collar
52	B95-9602	Anti-reverse pawl spring A
53	B00-8601	Anti-reverse pawl screw
54	E30-6801	Ball bearing C
55	E24-5302	Anti-reverse pawl spring B
56	F07-9501	Drive gear
57	375-8500	Drive gear washer
58	637-5701	Ball bearing D
59	F07-9601	Left side cover
60	E15-8601	Left side cover screw A
61	E15-8602	Left side cover screw B
62	501-8501	Handle collar
63	F03-5602	Handle lock screw
64	F08-0001	Handle assembly