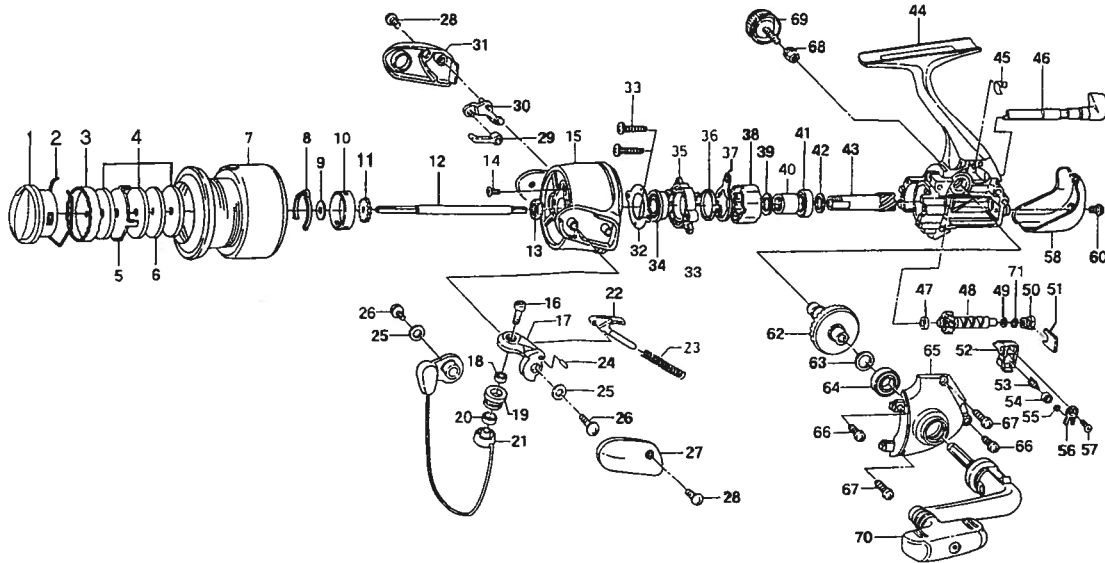


# SS2-3000C / 3500C



Key No.	Parts No.	Parts Name	Key No.	Parts No.	Parts Name
2-7	G04-6101	SPOOL	41	F64-1101	BALL BEARING C
1	G04-6301	DRAG KNOB	42	F26-2801	PINION COLLAR
2	F71-0001	DRAG WASHER RET	43	F95-2301	PINION GEAR
3	F68-1301	DRAG KNOB CLICK PLT	44	G04-5801	BODY
4	F69-8001	DRAG WASHER A	45	F67-9201	A/R CAM SPRING
5	F67-6401	EARED WASHER	46	F67-9102	A/R LEVER
6	F68-1101	DRAG WASHER B	47	F63-1401	WORM SHAFT BUSH
8	F70-9001	SPOOL CLICK LEAF SPRING	48	G00-3601	WORM SHAFT
9	E39-7901	SPOOL WASHER	49	375-4101	WORM SHAFT WASHER
10	F69-7901	CLICK LEAF SPRING HOLDER	50	F67-9501	WORM SHAFT COLLAR
11	E41-3101	CLICK GEAR	51	F74-9401	WORM SHAFT RET
12	F68-0001	MAIN SHAFT	52	F67-9901	OSC SLIDER
13	340-6605	ROTOR NUT	53	F92-0701	OSC PAWL
14	B55-7601	ROTOR NUT LOCK SCREW	54	F62-2701	OSC PAWL BUSH
15	F64-2510	ROTOR	55	375-0801	OSC PAWL WASHER
16	F62-5202	LINE ROLLER SCREW	56	F62-2901	OSC SLIDER COVER
17	F62-3511	BAIL ARM	57	352-1505	OSC SLIDER COVER SCREW
18	F62-5102	BALL BEARING A	58	G04-4203	REAR COVER
19	F62-5001	LINE ROLLER	60	E36-4203	REAR COVER SCREW
20	F70-1801	LINE ROLLER COLLAR	62	F66-1201	DRIVE GEAR
21	G04-5901	BAIL	63	373-7808	DRIVE GEAR WASHER
22	F69-1104	BAIL SPRING SHAFT	64	E15-4001	BALL BEARING E
23	F62-3801	BAIL SPRING	65	F68-0109	SIDE COVER
24	F62-3701	BAIL ARM SCREW	66	E15-7502	SIDE COVER SCREW A
25	F63-1801	BAIL HOLDER COLLAR	67	E15-8601	SIDE COVER SCREW B
26	351-6101	BAIL HOLDER SCREW	68	F43-3502	HANDLE COLLAR
27	F66-0705	BAIL SPRING COVER	69	F42-5801	HANDLE LOCK SCREW
28	352-2503	BAIL SPRING COVER SCREW	70	G10-2401	HANDLE
29	F64-6301	BAIL TRIP PLT	71	G08-4001	SPRING WASHER
30	F62-4701	BAIL TRIP LEVER			
31	F66-0804	BAIL TRIP COVER			
32	F95-2501	BEARING RET A			
33	E24-7402	BEARING RET SCREW			
34	F25-2901	BALL BEARING B			
35	F95-2401	BEARING RET B			
36	F67-9701	ROLLER CLUTCH RET			
37	F64-1401	A/R PAWL			
38	F64-1201	ROLLER CLUTCH			
39	373-7814	ROLLER CLUTCH WASHER			
40	F73-2203	SPACING SLEEVE			

SS2-3500C Special Parts		
Key No.	Parts No.	Parts Name
2-7	G04-6401	SPOOL
1	G04-6601	DRAG KNOB
2	F74-2501	DRAG WASHER RET
3	F69-0203	DRAG KNOB CLICK PLT
4	F69-2301	DRAG WASHER A
5	F69-0101	EARED WASHER
6	F76-1001	DRAG WASHER B