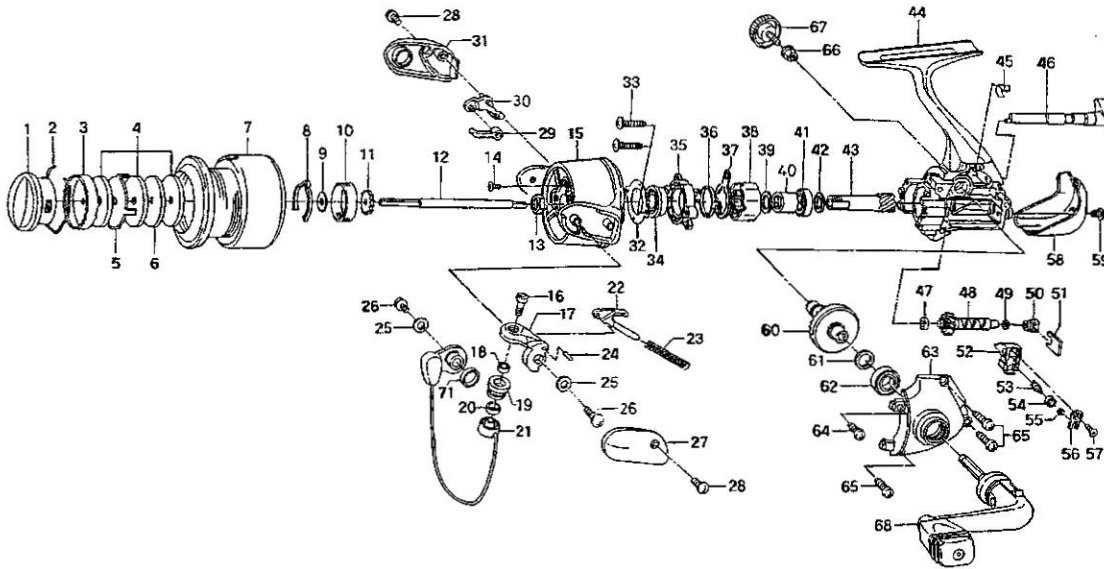


SS2-1500C / 2000C



Key No.	Parts No.	Parts Name	Key No.	Parts No.	Parts Name
2-7	G03-5401	SPOOL	38	F62-2001	ROLLER CLUTCH
1	G03-5601	DRAG KNOB	39	375-8509	ROLLER CLUTCH WASHER
2	F74-2501	DRAG WASHER RET	40	F73-2501	SPACING SLEEVE
3	F69-0201	DRAG KNOB CLICK PLT	41	637-5702	BALL BEARING C
4	F69-2301	DRAG WASHER A	42	F78-1002	PINION COLLAR
5	F69-0101	EARED WASHER	43	F93-5501	PINION GEAR
6	F69-0001	DRAG WASHER B	44	G03-4701	BODY
8	F70-4901	SPOOL CLICK LEAF SPRING	45	F65-1901	A/R CAM SPRING
9	E39-4001	SPOOL WASHER	46	F65-1802	A/R LEVER
10	E12-2303	CLICK LEAF SPRING HOLDER	47	F65-2201	WORM SHAFT BUSH
11	E36-5301	CLICK GEAR	48	F98-5001	WORM SHAFT
12	F65-2701	MAIN SHAFT	49	375-4101	WORM SHAFT WASHER
13	341-9204	ROTOR NUT	50	F65-2301	WORM SHAFT COLLAR
14	B55-7601	ROTOR NUT LOCK SCREW	51	F65-2401	WORM SHAFT RET
15	F63-3712	ROTOR	52	F65-2601	OSC SLIDER
16	F62-5202	LINE ROLLER SCREW	53	F89-1701	OSC PAWL
17	F62-3511	BAIL ARM	54	F91-3001	OSC PAWL BUSH
18	G02-0801	BALL BEARING A	55	375-0801	OSC PAWL WASHER
19	F62-5001	LINE ROLLER	56	F62-2901	OSC SLIDER COVER
20	F70-1801	LINE ROLLER COLLAR	57	E15-0205	OSC SLIDER COVER SCREW
21	G03-5301	BAIL	58	G03-2203	REAR COVER
22	F69-1104	BAIL SPRING SHAFT	59	E24-8103	REAR COVER SCREW
23	F74-2401	BAIL SPRING	60	F65-2801	DRIVE GEAR
24	F62-3701	BAIL ARM SCREW	61	375-8502	DRIVE GEAR WASHER
25	F63-1801	BAIL HOLDER WASHER	62	637-5702	BALL BEARING D
26	351-6104	BAIL HOLDER SCREW	63	F65-3010	SIDE COVER
27	F63-1906	BAIL SPRING COVER	64	E15-7501	SIDE COVER SCREWA
28	352-2503	BAIL SPRING COVER SCREW	65	E13-0502	SIDE COVER SCREWB
29	F62-4601	BAIL TRIP PLT	66	F40-4801	HANDLE COLLAR
30	F72-7201	BAIL TRIP LEVER	67	F03-5601	HANDLE LOCK SCREW
31	F63-7004	BAIL TRIP COVER	68	G10-2101	HANDLE
32	F92-5801	BEARING RET A	71	F77-7701	BAIL HOLDER COLLAR
33	E24-7402	BEARING RET SCREW			
34	F22-6701	BALL BEARING B			
35	F92-4801	BEARING RET B			
36	F67-5401	ROLLER CLUTCH RET			
37	F62-2201	A/R LEVER RET			

SS2-2000C Special Parts		
Key No.	Parts No.	Parts Name
2-7	G03-5701	SPOOL