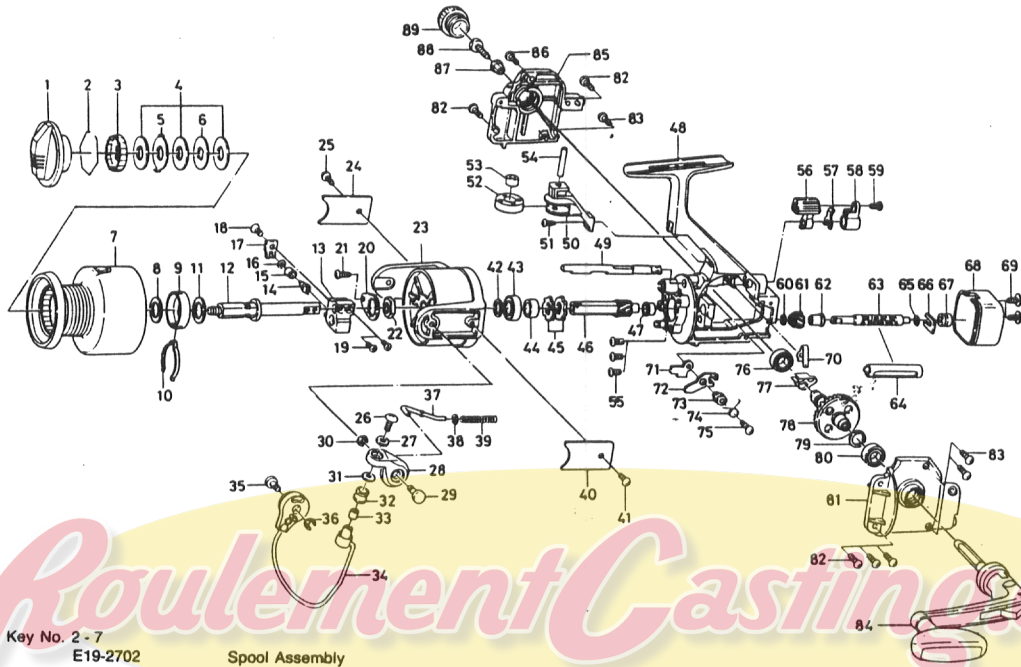


SPINNING REEL SS1600



Key No. 2 - 7
E19-2702

Spool Assembly

Key No.	Parts No.	Parts Name	Key No.	Parts No.	Parts Name
1	E20-0902	Drag knob	45	E20-0801	Anti-reverse ratchet
2	B54-3202	Drag washer retainer	46	E19-0501	Pinion gear
3	E12-2801	Drag knob click plate	47	B43-5701	Pinion holder
4	B36-0204	Drag washer	48	E19-0102	Body
5	E15-0101	Eared washer	49	E19-0401	Anti-reverse cam
6	B65-2302	Key washer	50	E19-0201	Bail kick knock
7	E19-2802	Spool	51	E02-7401	Bail kick knock screw
8	E14-6503	Spool washer	52	E11-4602	Bail kick roller
9	E12-2301	Click leaf spring holder	53	E11-4701	Bail kick roller collar
10	B74-7702	Spool click leaf spring	54	E11-4801	Bail kick roller pin
11	371-2800	Main shaft washer	55	E03-7801	Bearing retainer screw
12	E22-8001	Main shaft assembly	56	B96-5204	Anti-reverse lever
13	E19-0601	Oscillating slider	57	321-0101	Anti-reverse lever retainer
14	E19-1201	Oscillating pawl	58	130-8801	Anti-reverse lever cover
15	E19-1301	Oscillating pawl bush	59	353-4402	Anti-reverse lever screw
16	375-0800	Oscillating pawl washer	60	320-5901	Worm shaft gear retainer
17	E18-7401	Oscillating slider cover	61	E19-1001	Worm shaft gear
18	352-0901	Oscillating slider cover screw	62	E19-0901	Worm shaft bush
19	351-0311	Oscillating block screw	63	E19-0801	Worm shaft
20	B66-2601	Rotor nut holding plate	64	E19-0701	Worm shield cover
21	6-B93-3001	Rotor nut holding plate screw	65	-373-1300	Worm shaft washer
22	6-340-6604	Rotor nut	66	E18-7101	Worm shaft retainer
23	6-E19-2002	Rotor assembly	67	E19-1101	Worm shaft collar
24	6-E19-2101	Bail trip cover	68	E19-1803	Rear cover
25	6-B83-4401	Bail trip cover screw	69	351-7704	Rear cover screw
26	1-353-8203	Line roller screw	70	B58-8601	Anti-reverse cam spring
27	375-1001	Lock washer	71	B96-5301	Anti-reverse pawl plate
28	E18-8401	Bail arm	72	E19-0301	Anti-reverse pawl
29	E12-5001	Bail arm screw	73	B96-5501	Anti-reverse pawl collar
30	320-5901	Bail arm screw retainer	74	B96-5601	Anti-reverse pawl spring A
31	1-373-4501	Line roller collar	75	B00-9701	Anti-reverse pawl screw
32	1-E22-5001	Line roller	76	637-5701	Ball bearing B
33	6-B41-3001	Line roller bushing	77	E11-4102	Anti-reverse pawl spring B
34	6-E22-5802	Bail	78	E19-1801	Drive gear
35	6-E12-5302	Bail trip cam screw	79	375-8500	Drive gear washer
36	6-320-5901	Bail trip cam screw retainer	80	637-5701	Ball bearing B
37	6-E12-4701	Bail spring shaft	81	E19-1703	Left side cover
38	E11-5901	Bail spring washer	82	E13-0501	Side cover screw A
39	E12-4801	Bail spring	83	E11-9601	Side cover screw B
40	E19-2101	Bail spring cover	84	E21-8801	Handle assembly
41	B83-4401	Bail spring cover screw	85	E19-1403	Right side cover
42	373-7807	Ball bearing retaining washer	86	E13-0502	Side cover screw C
43	B62-8601	Ball bearing A	87	501-8501	Handle collar
44	B63-0401	Spacing sleeve	88	363-8511	Handle screw
			89	B22-4501	Handle screw cap